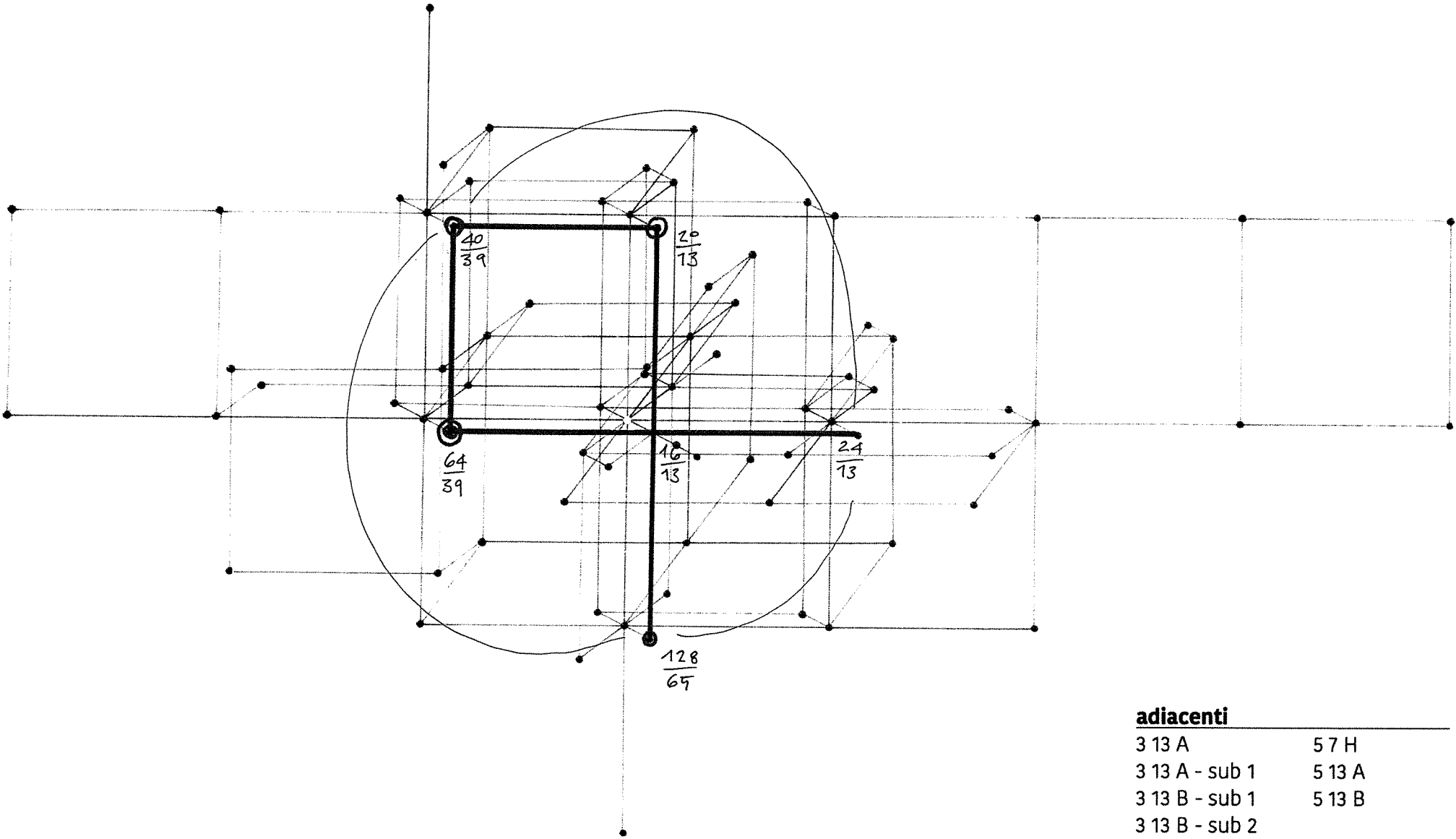


<b>64/39</b>	<b>40/39</b>	<b>20/13</b>	<b>16/13</b>	<b>128/65</b>	<b>24/13</b>
177.23	221.53	41.53	531.69	425.35	398.76
	443.07				

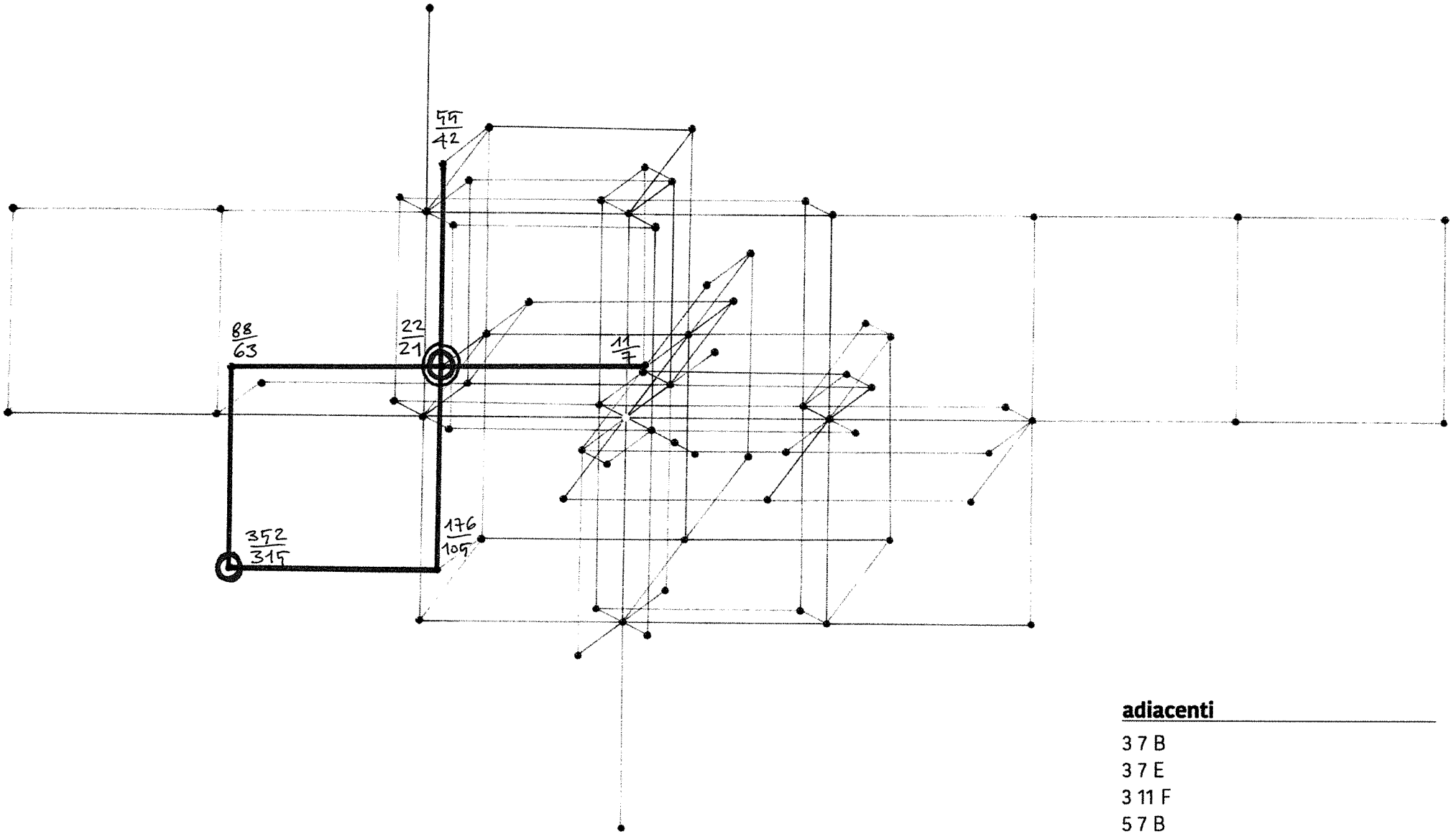


**adiacenti**

---

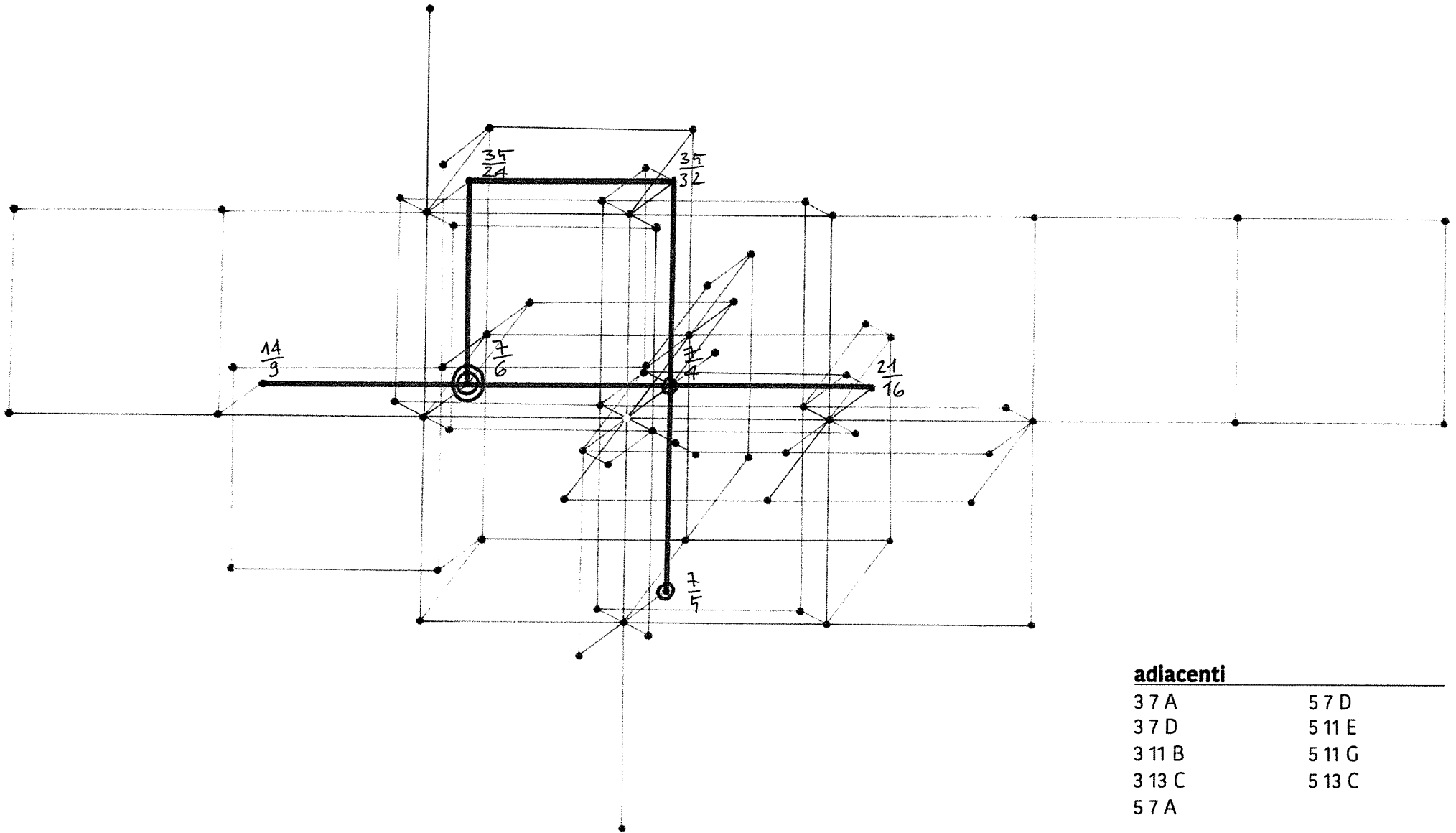
3 13 A	5 7 H
3 13 A - sub 1	5 13 A
3 13 B - sub 1	5 13 B
3 13 B - sub 2	

<b>88/63</b>	<b>352/315</b>	<b>176/105</b>	<b>22/21</b>	<b>55/42</b>	<b>11/7</b>
301.71	241.37	362.05	56.57	282.85	339.42



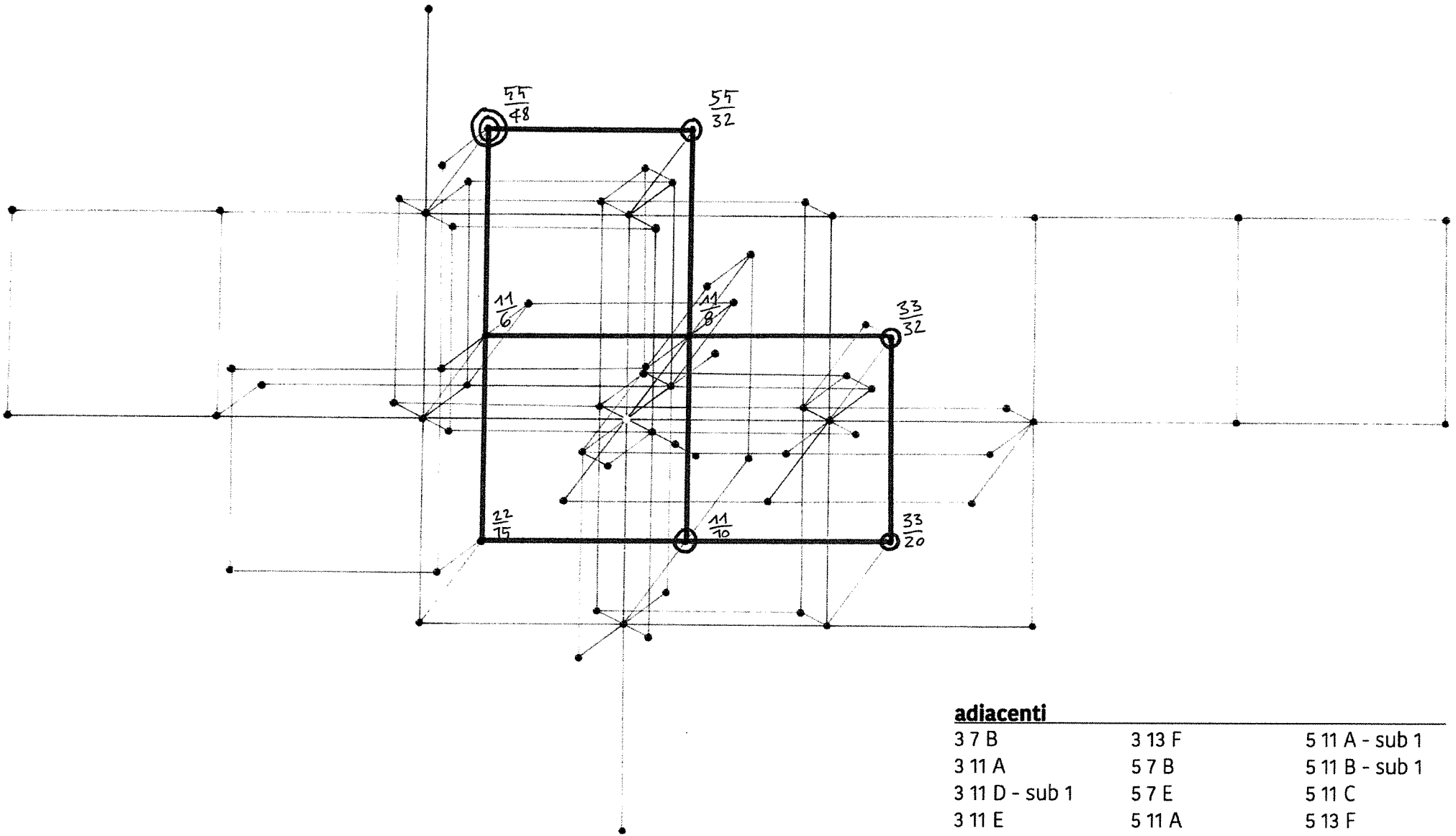
- adiacenti**
- 
- 37 B
  - 37 E
  - 311 F
  - 57 B

<b>14/9</b>	<b>7/6</b>	<b>35/24</b>	<b>35/32</b>	<b>7/4</b>	<b>7/5</b>	<b>21/16</b>
336	63	39.37	472.5	189	302.4	283.5



<b>adiacenti</b>	
37 A	57 D
37 D	511 E
311 B	511 G
313 C	513 C
57 A	

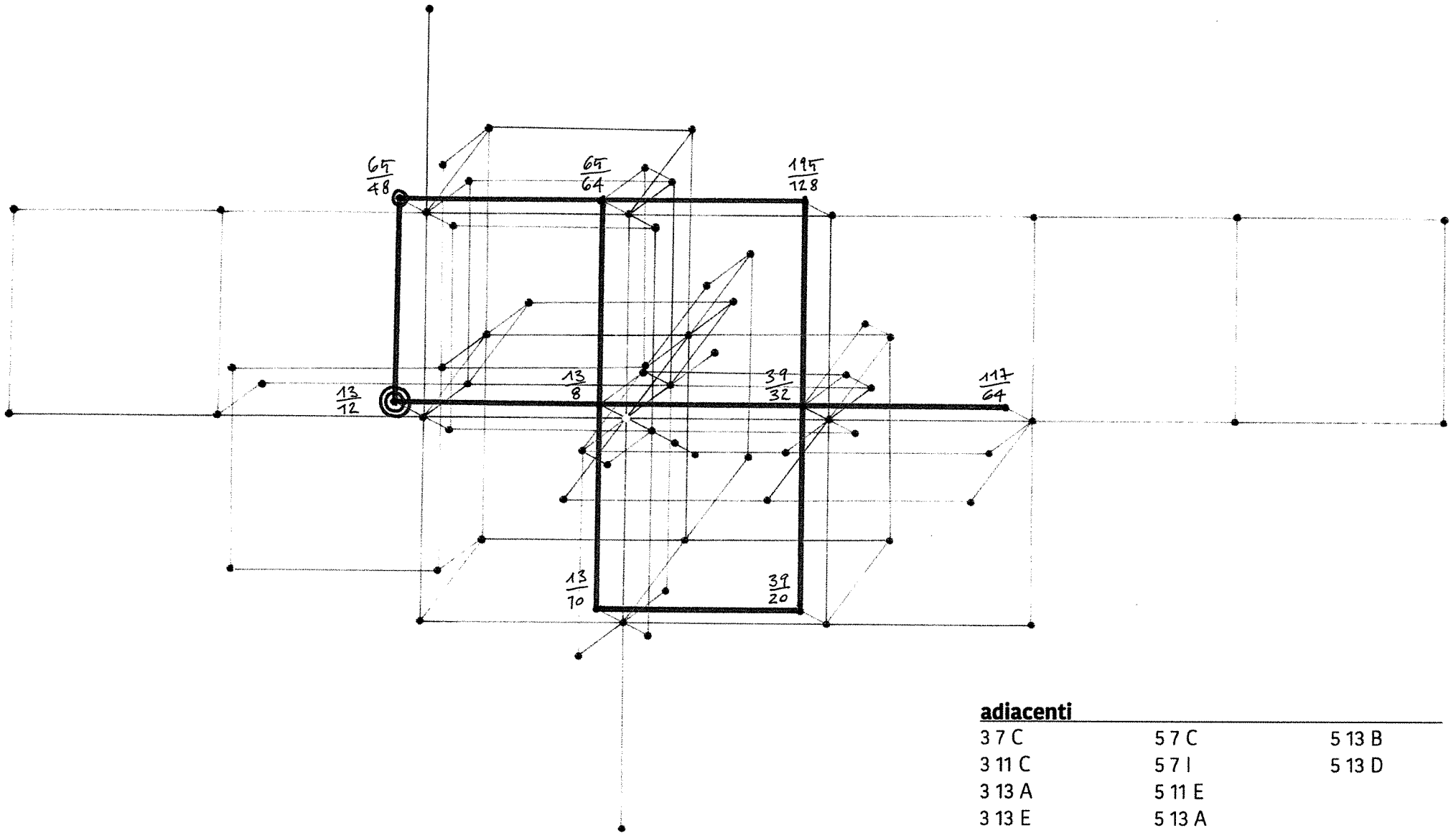
<b>22/15</b>	<b>11/6</b>	<b>55/48</b>	<b>55/32</b>	<b>11/8</b>	<b>11/10</b>	<b>33/32</b>	<b>33/20</b>
316.8	396	61.87	71.25	297	237.6	445.5	356.4



**adiacenti**

3 7 B	3 13 F	5 11 A - sub 1
3 11 A	5 7 B	5 11 B - sub 1
3 11 D - sub 1	5 7 E	5 11 C
3 11 E	5 11 A	5 13 F

<b>13/8</b>	<b>13/12</b>	<b>65/48</b>	<b>65/64</b>	<b>195/128</b>	<b>39/32</b>	<b>13/10</b>	<b>39/20</b>	<b>117/64</b>
175.5	58.5	146.25	219.37	329.06	263.25	280.8	210.6	394.87

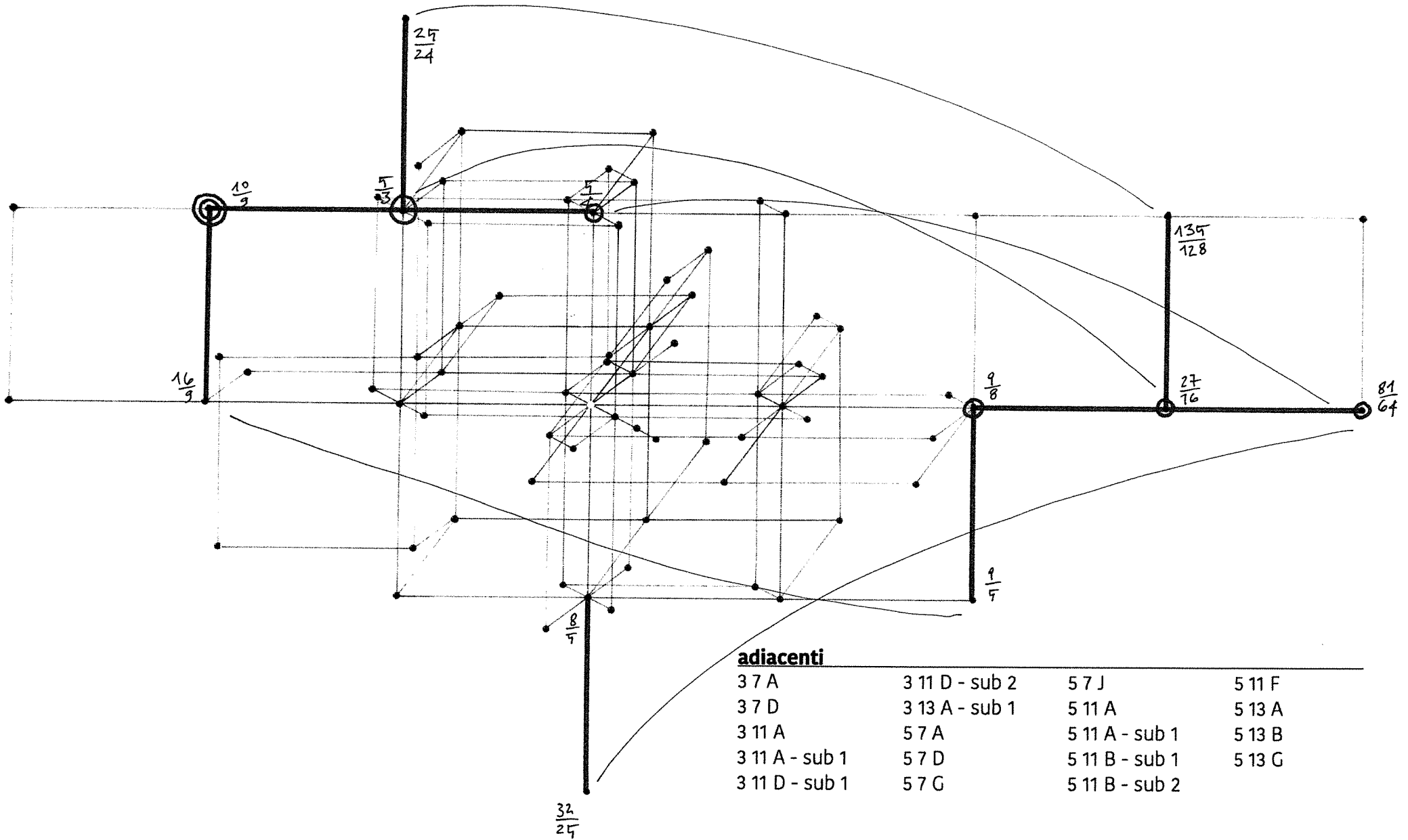


**adiacenti**

3 7 C	5 7 C	5 13 B
3 11 C	5 7 I	5 13 D
3 13 A	5 11 E	
3 13 E	5 13 A	

# 3 5 F - subset 1

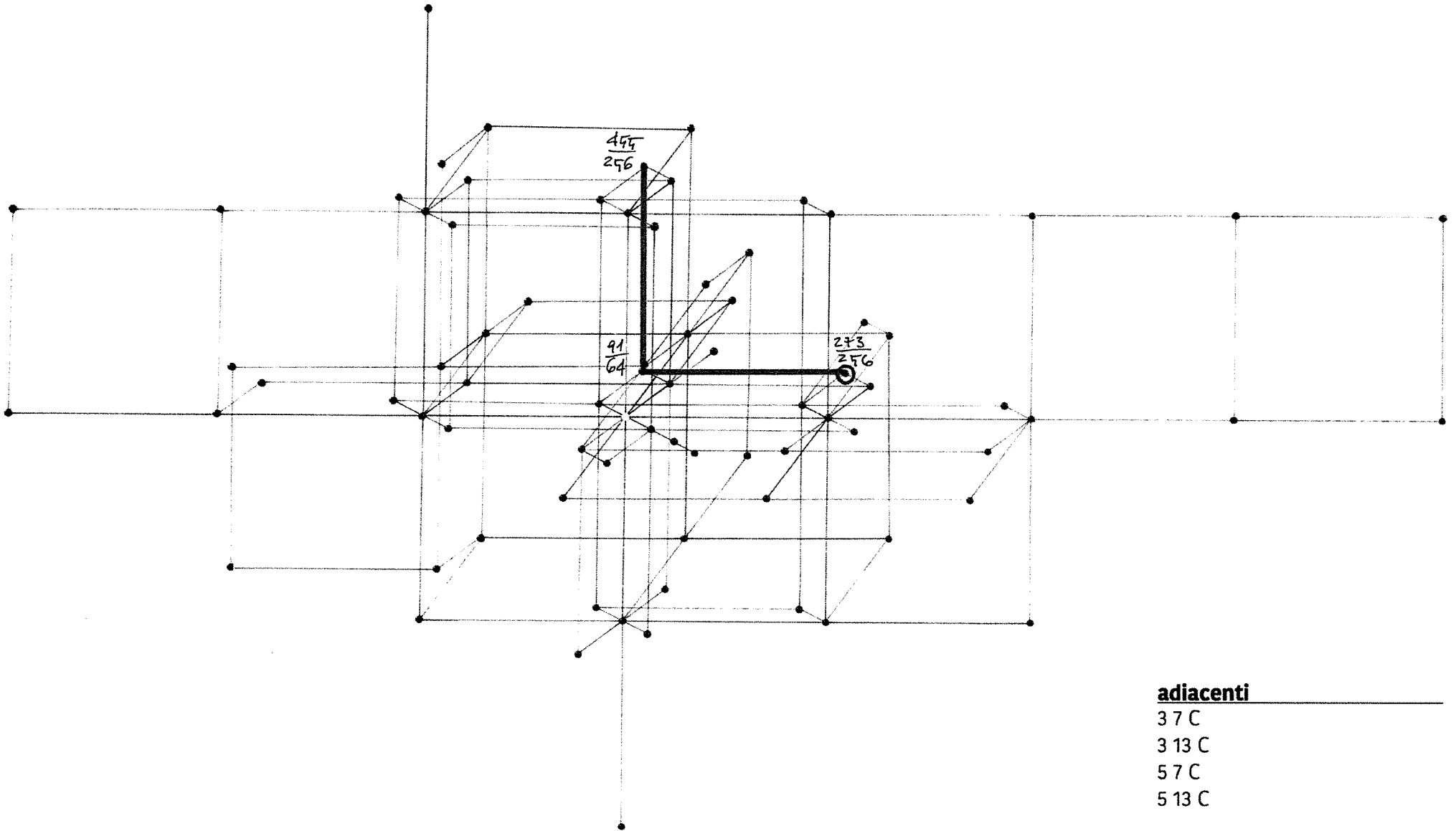
<b>16/9</b>	<b>9/8</b>	<b>27/16</b>	<b>81/64</b>	<b>10/9</b>	<b>5/3</b>	<b>5/4</b>	<b>135/128</b>	<b>25/24</b>	<b>8/5</b>	<b>9/5</b>	<b>32/25</b>
384	121.5	364.5	273.37	60	360	540	455.62	450	172.8	388.8	276.48



**adiacenti**

3 7 A	3 11 D - sub 2	5 7 J	5 11 F
3 7 D	3 13 A - sub 1	5 11 A	5 13 A
3 11 A	5 7 A	5 11 A - sub 1	5 13 B
3 11 A - sub 1	5 7 D	5 11 B - sub 1	5 13 G
3 11 D - sub 1	5 7 G	5 11 B - sub 2	

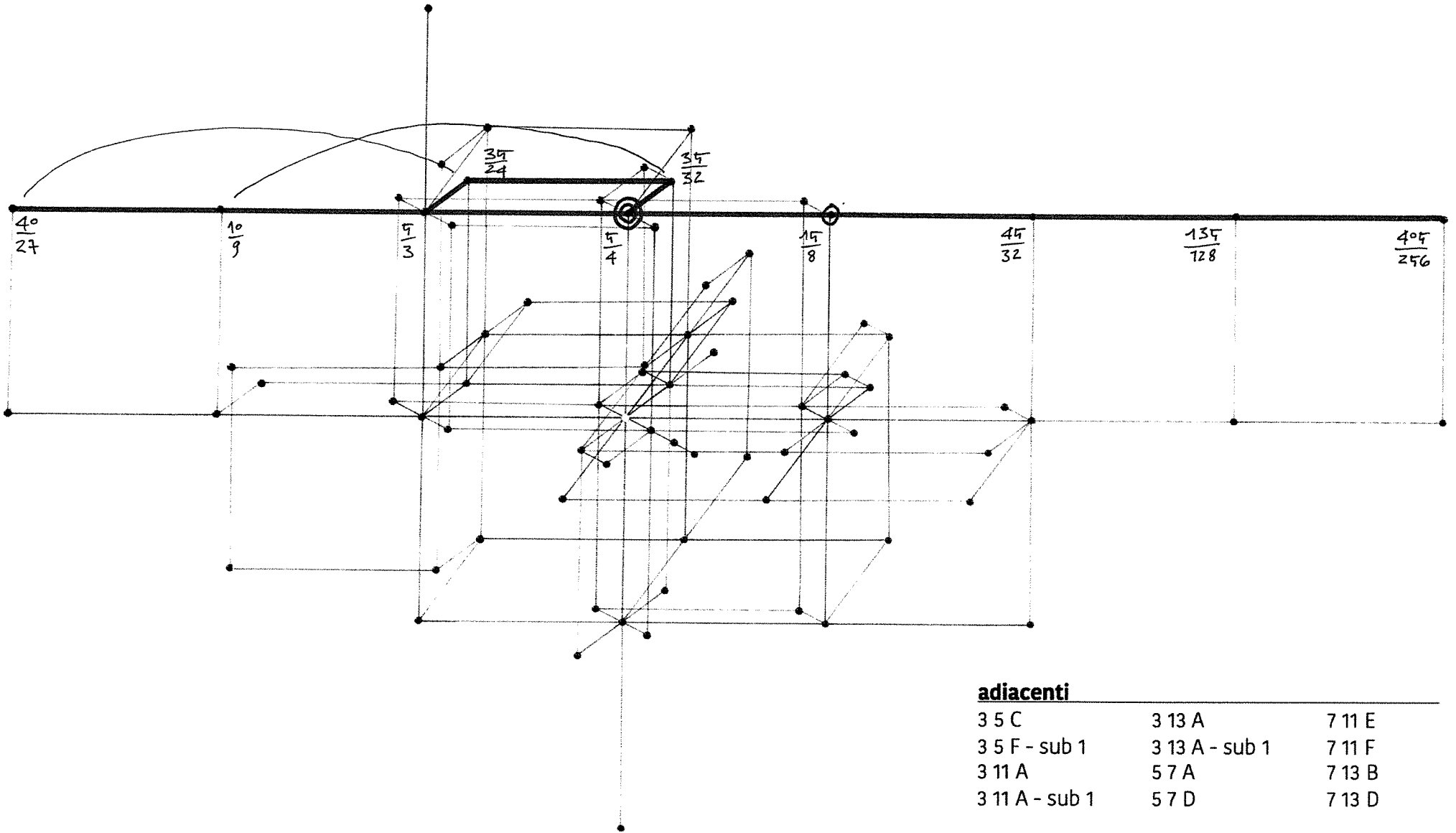
<b>91/64</b>	<b>273/256</b>	<b>455/256</b>
307.12	230.34	383.9
153.56	115.17	



**adiacenti**

- 3 7 C
- 3 13 C
- 5 7 C
- 5 13 C

$\frac{40}{27}$	$\frac{10}{9}$	$\frac{5}{3}$	$\frac{5}{4}$	$\frac{15}{8}$	$\frac{45}{32}$	$\frac{135}{128}$	$\frac{405}{256}$	$\frac{35}{24}$	$\frac{35}{32}$
640	480	180	67.5	101.25	303.75	455.62	341.71	630	472.5

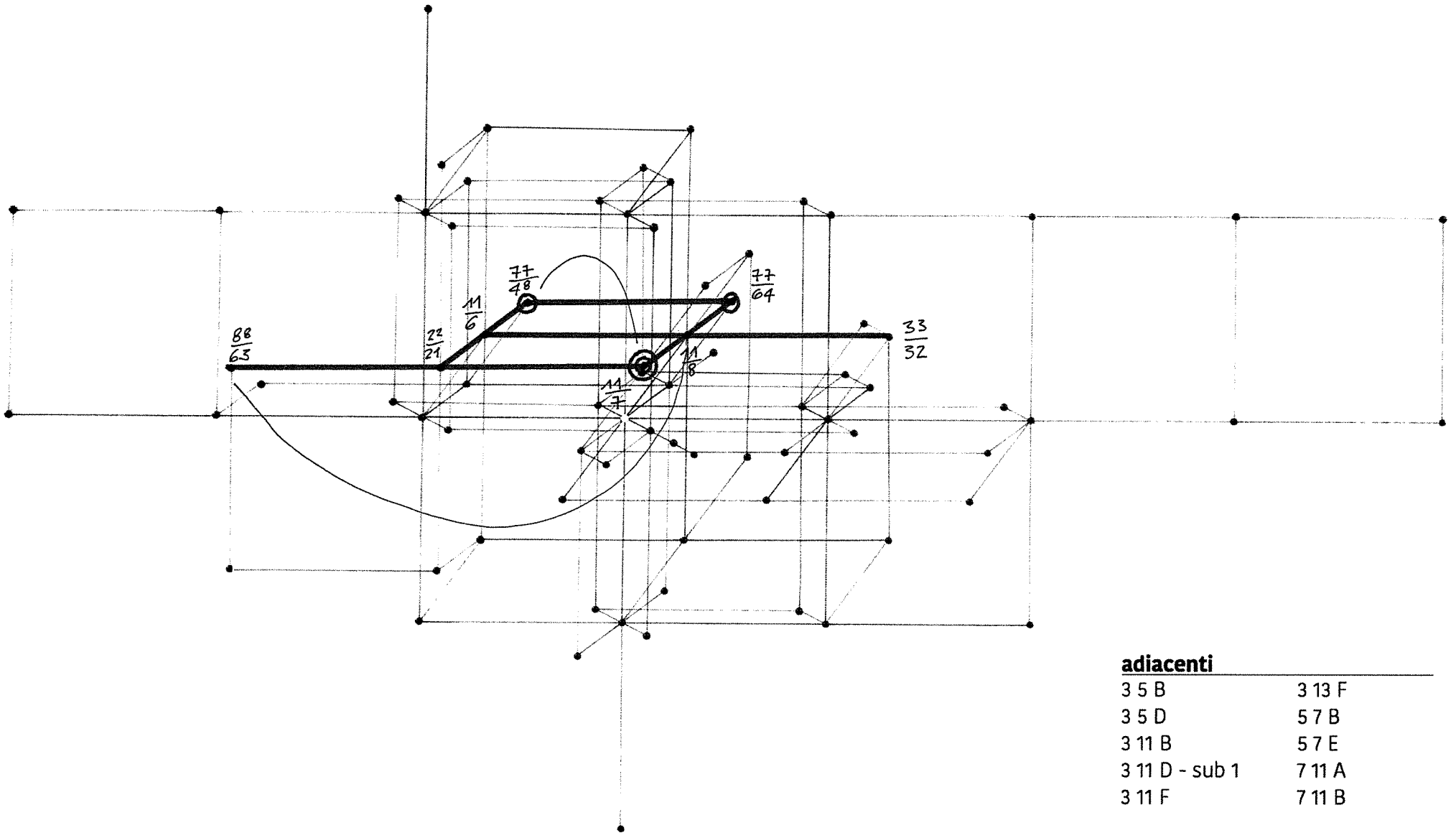


**adiacenti**

3 5 C	3 13 A	7 11 E
3 5 F - sub 1	3 13 A - sub 1	7 11 F
3 11 A	5 7 A	7 13 B
3 11 A - sub 1	5 7 D	7 13 D



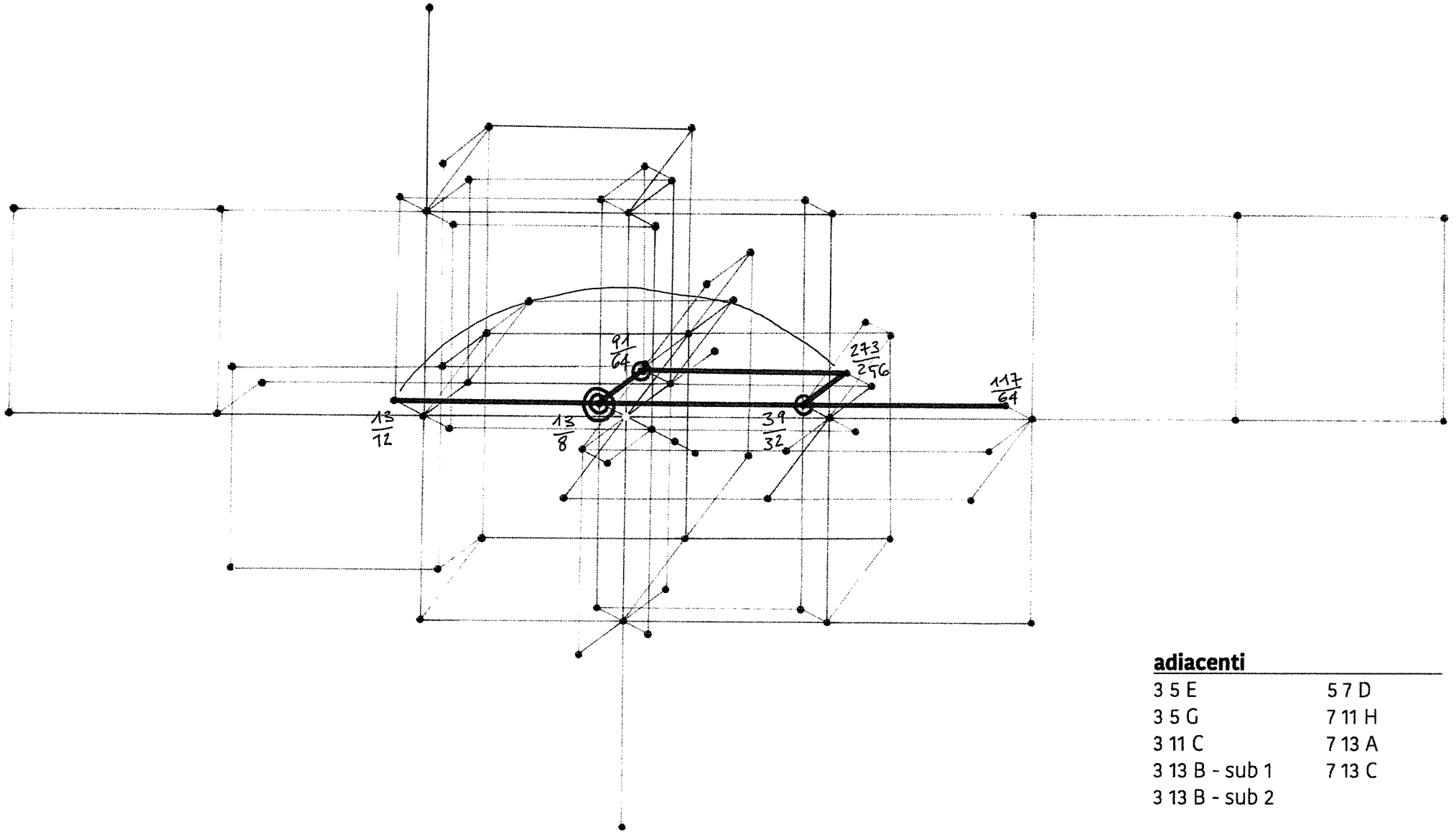
<b>88/63</b>	<b>22/21</b>	<b>11/7</b>	<b>11/6</b>	<b>11/8</b>	<b>33/32</b>	<b>77/48</b>	<b>77/64</b>
301.71	452.57	84.85	396	297	445.5	346.5	259.87



**adiacenti**

3 5 B	3 13 F
3 5 D	5 7 B
3 11 B	5 7 E
3 11 D - sub 1	7 11 A
3 11 F	7 11 B

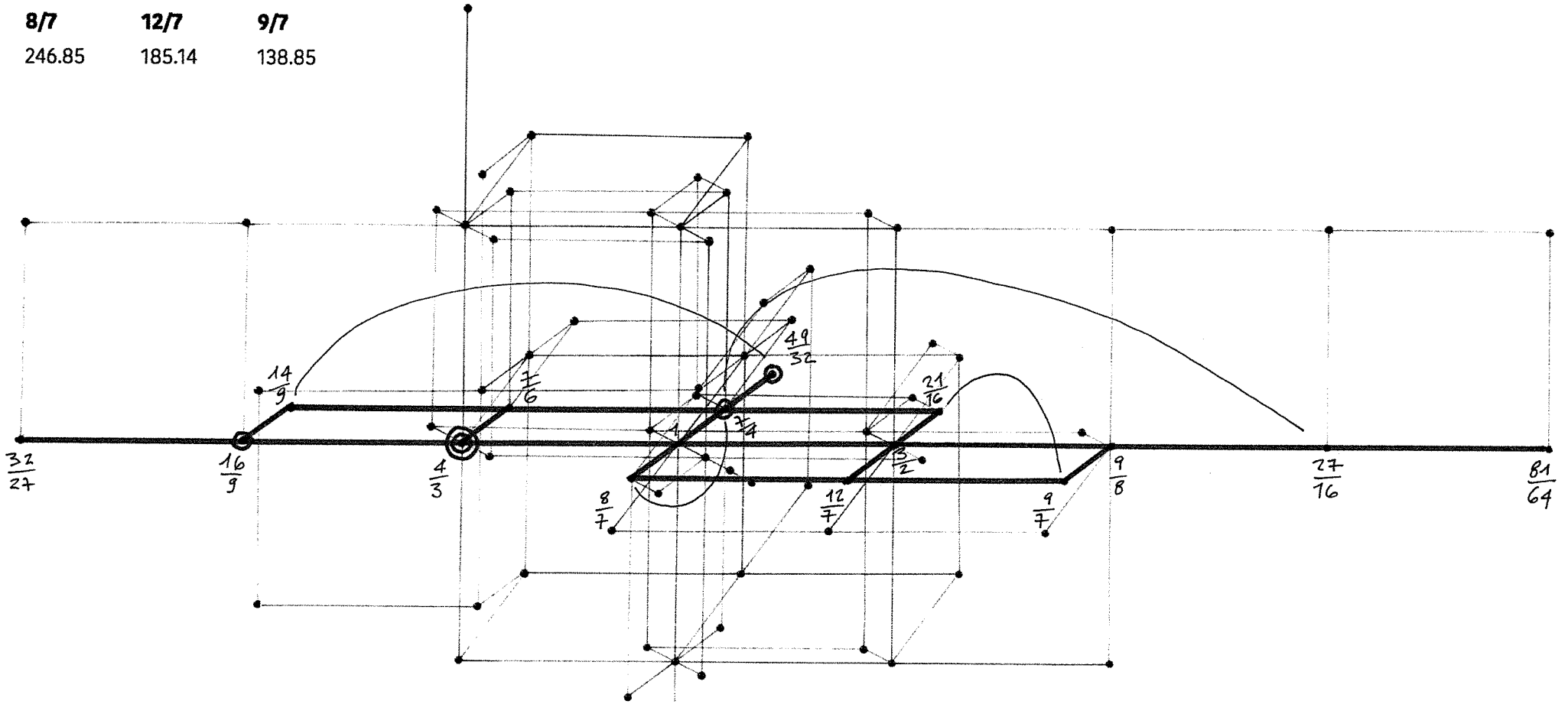
<b>13/12</b>	<b>13/8</b>	<b>39/32</b>	<b>117/64</b>	<b>91/64</b>	<b>273/256</b>
468	175.5	263.25	394.87	307.12	460.68
	43.87				



<b>adiacenti</b>	
3 5 E	5 7 D
3 5 G	7 11 H
3 11 C	7 13 A
3 13 B - sub 1	7 13 C
3 13 B - sub 2	

<b>32/27</b>	<b>16/9</b>	<b>4/3</b>	<b>1/1</b>	<b>3/2</b>	<b>9/8</b>	<b>27/16</b>	<b>81/64</b>	<b>14/9</b>	<b>7/6</b>	<b>7/4</b>	<b>21/16</b>	<b>49/32</b>
256	384	72	216	324	243	364.5	273.37	336	504	378	141.75	330.75

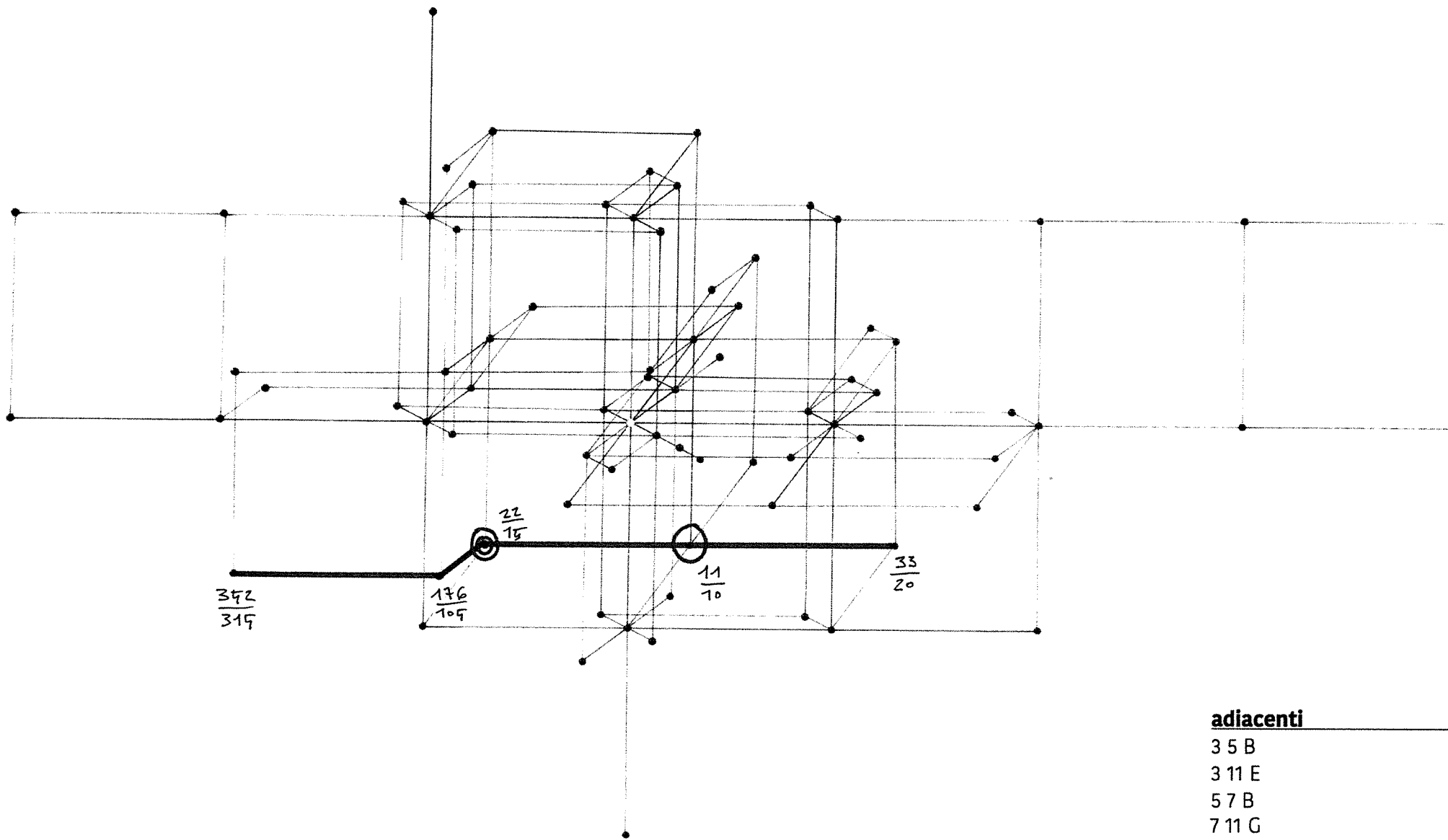
<b>8/7</b>	<b>12/7</b>	<b>9/7</b>
246.85	185.14	138.85



**adiacenti**

3 5 C	3 11 F	5 7 J	7 13 A
3 5 F - sub 1	5 7 A	7 11 A	7 13 C
3 11 B	5 7 D	7 11 B	7 13 E
3 11 D - sub 1	5 7 F	7 11 D	7 13 G
3 11 D - sub 2	5 7 G	7 11 I	

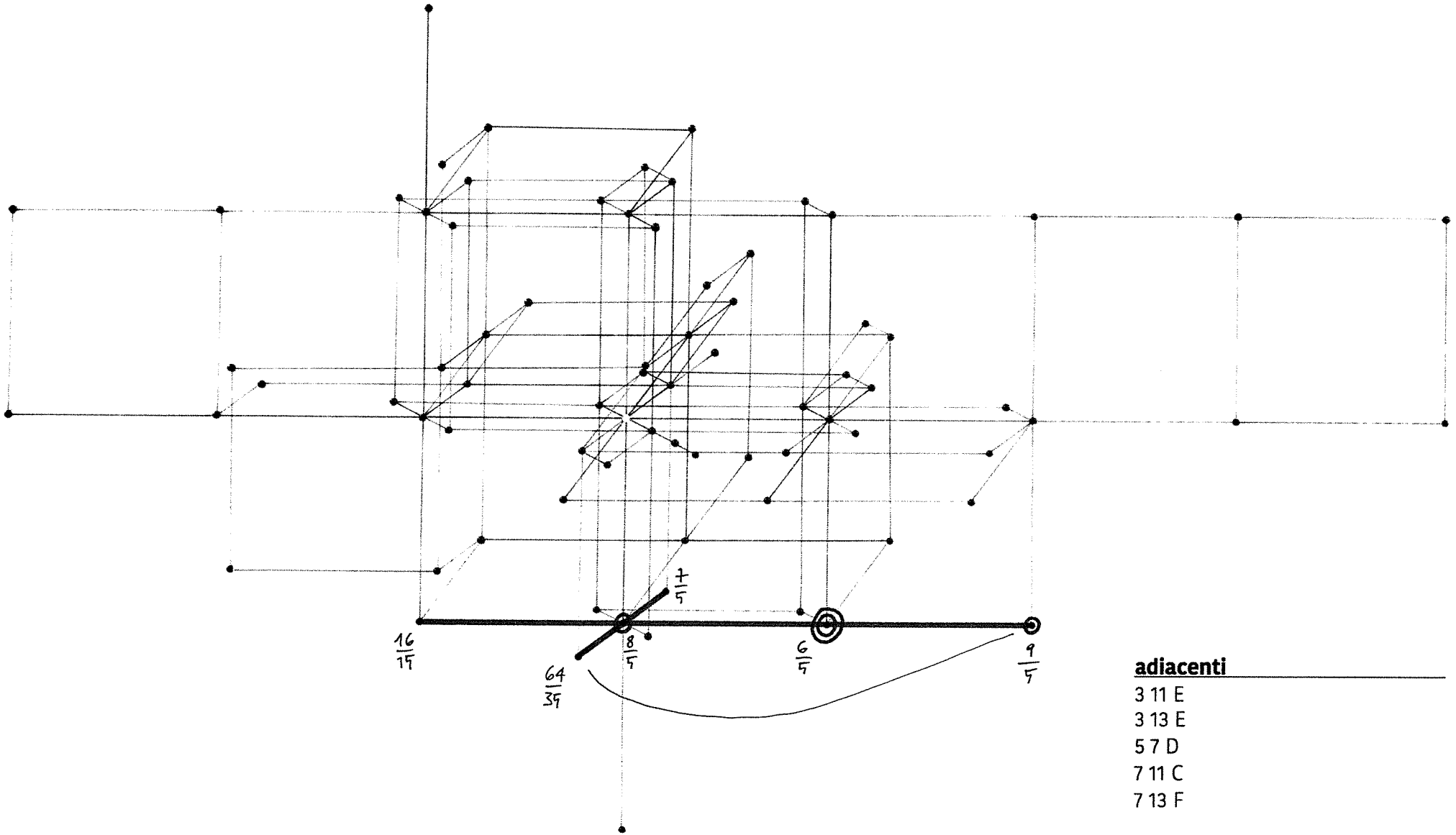
<b>352/315</b>	<b>176/105</b>	<b>22/15</b>	<b>11/10</b>	<b>33/20</b>
241.37	362.05	316.8	237.6	356.4
		79.2		



**adiacenti**

- 3 5 B
- 3 11 E
- 5 7 B
- 7 11 G

<b>16/15</b>	<b>8/5</b>	<b>3/5</b>	<b>9/5</b>	<b>64/35</b>	<b>7/5</b>
460.8	345.6	129.6 64.8	194.4	197.48	302.4

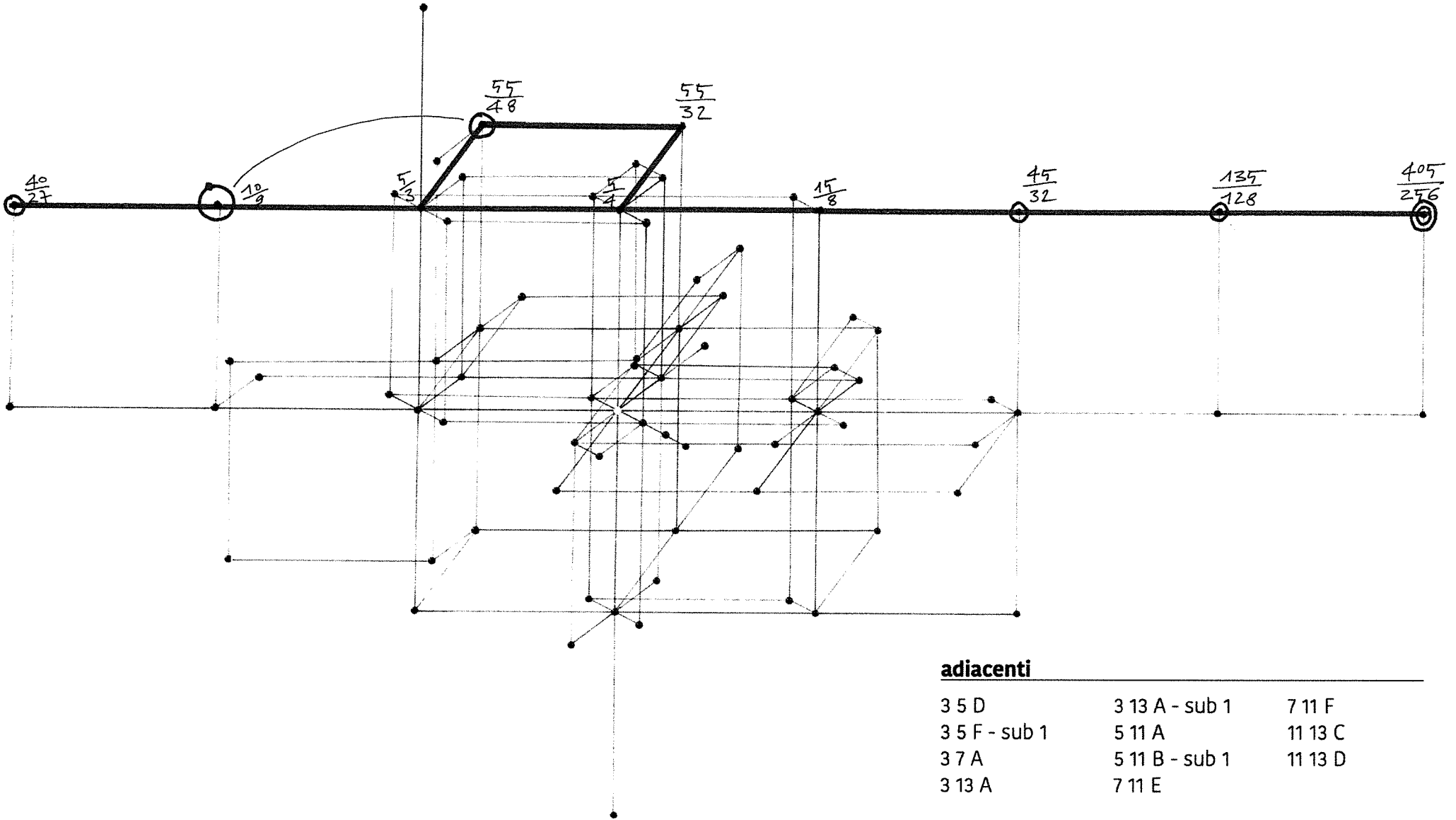


**adiacenti**

- 3 11 E
- 3 13 E
- 5 7 D
- 7 11 C
- 7 13 F

# 3 11 A

<b>40/27</b>	<b>10/9</b>	<b>5/3</b>	<b>5/4</b>	<b>15/8</b>	<b>45/32</b>	<b>135/128</b>	<b>405/256</b>	<b>55/48</b>	<b>55/32</b>
320	120	360	270	405	303.75	455.62	42.71	123.75	371.25
	60								

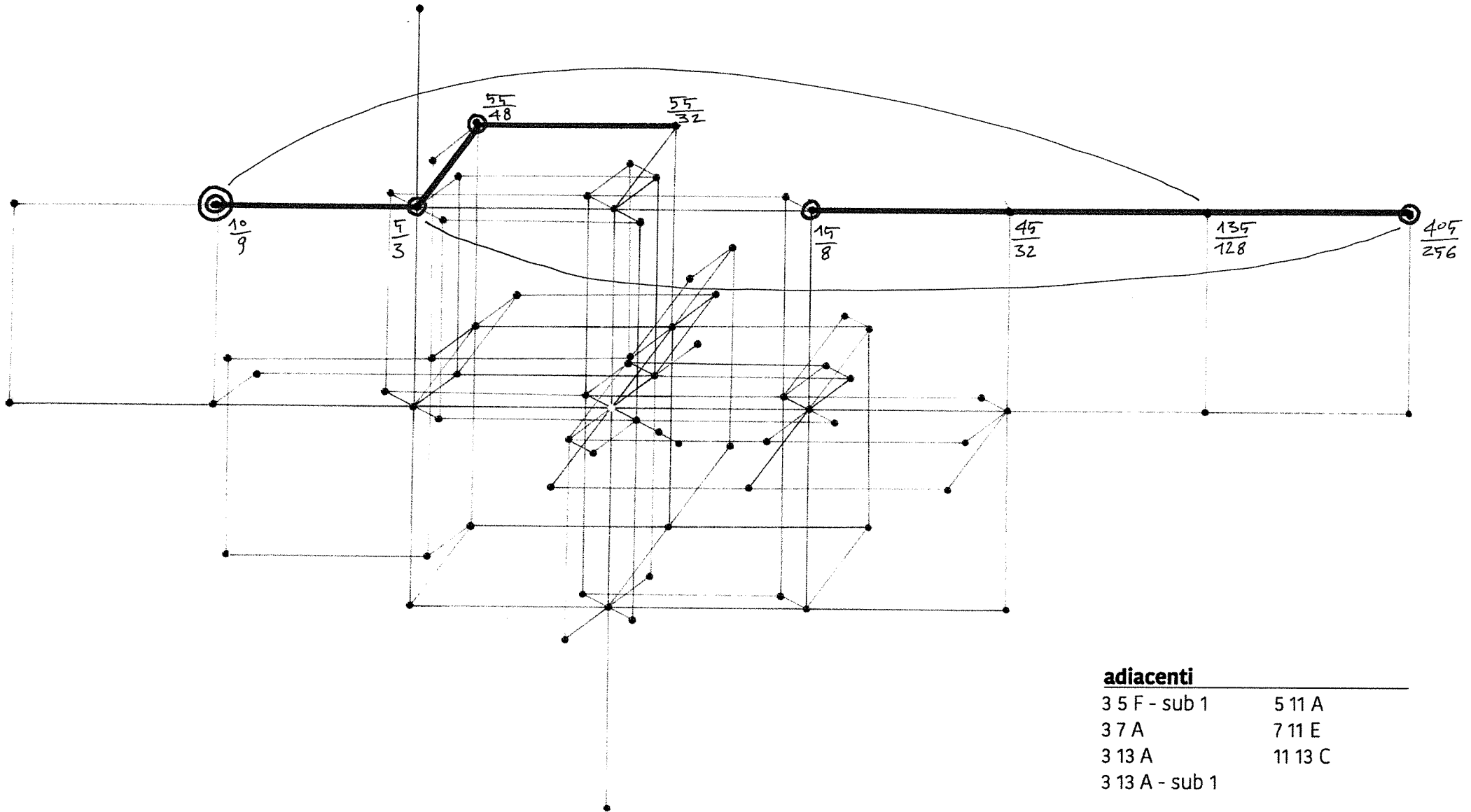


## adiacenti

3 5 D	3 13 A - sub 1	7 11 F
3 5 F - sub 1	5 11 A	11 13 C
3 7 A	5 11 B - sub 1	11 13 D
3 13 A	7 11 E	

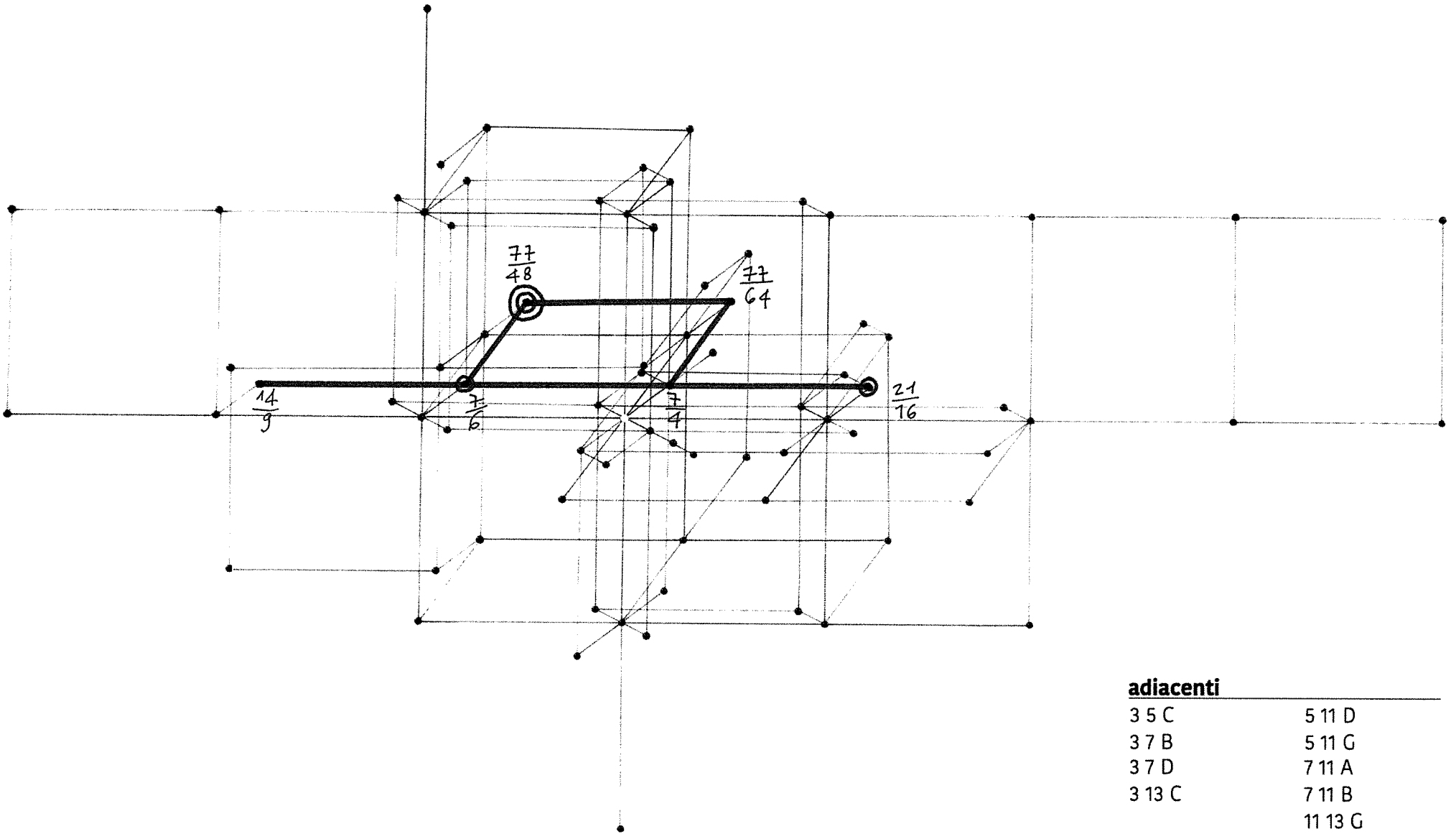
# 3 11 A - subset 1

<b>10/9</b>	<b>5/3</b>	<b>15/8</b>	<b>45/32</b>	<b>135/128</b>	<b>405/256</b>	<b>55/48</b>	<b>55/32</b>
120	360	405	303.75	455.62	42.71	123.75	371.25
60							



<b>adiacenti</b>	
3 5 F - sub 1	5 11 A
3 7 A	7 11 E
3 13 A	11 13 C
3 13 A - sub 1	

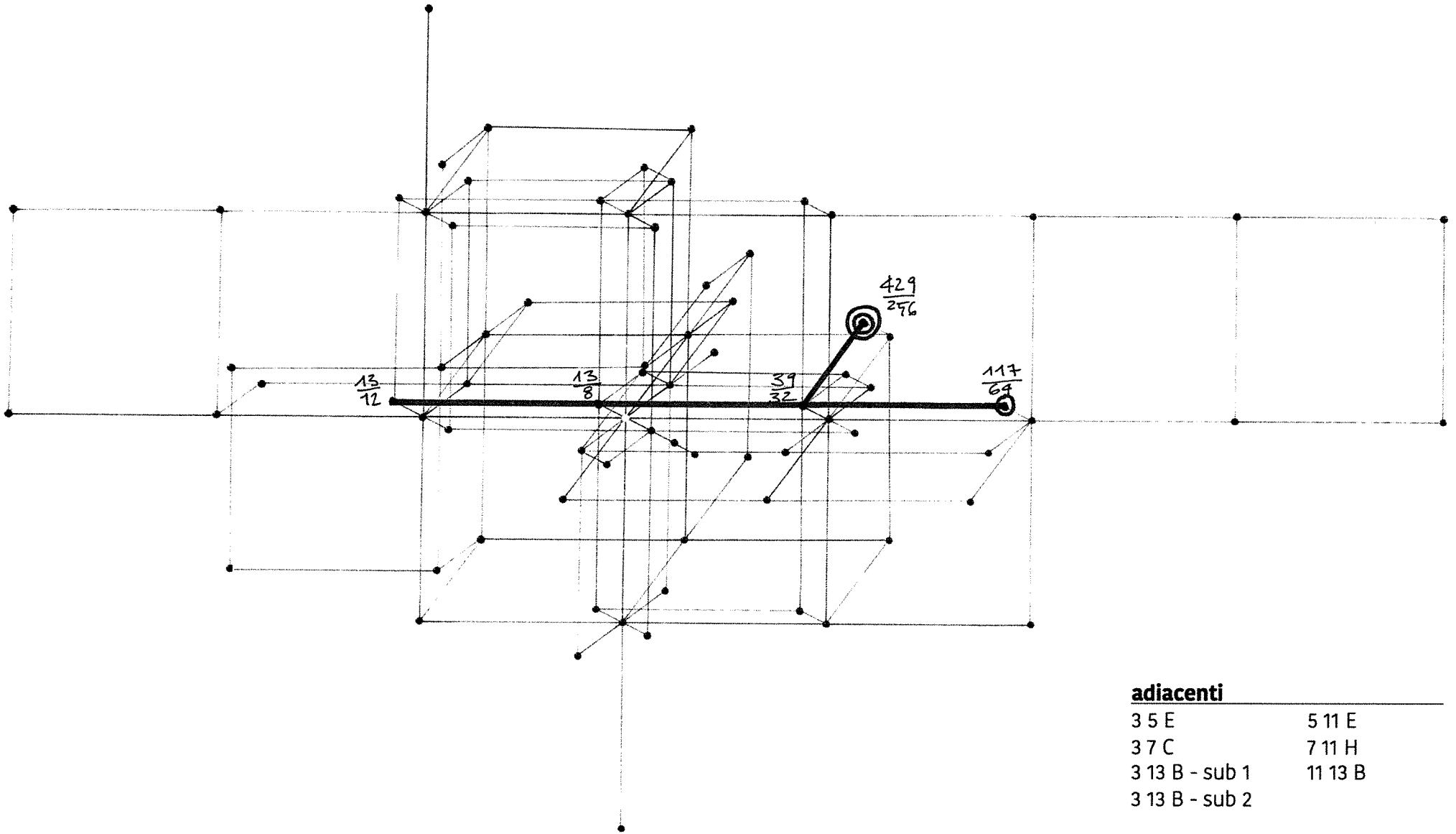
<b>14/9</b>	<b>7/6</b>	<b>7/4</b>	<b>21/16</b>	<b>77/48</b>	<b>77/64</b>
336	252	378	283.5	173.25	129.93
				86.62	



<b>adiacenti</b>	
3 5 C	5 11 D
3 7 B	5 11 G
3 7 D	7 11 A
3 13 C	7 11 B
	11 13 G



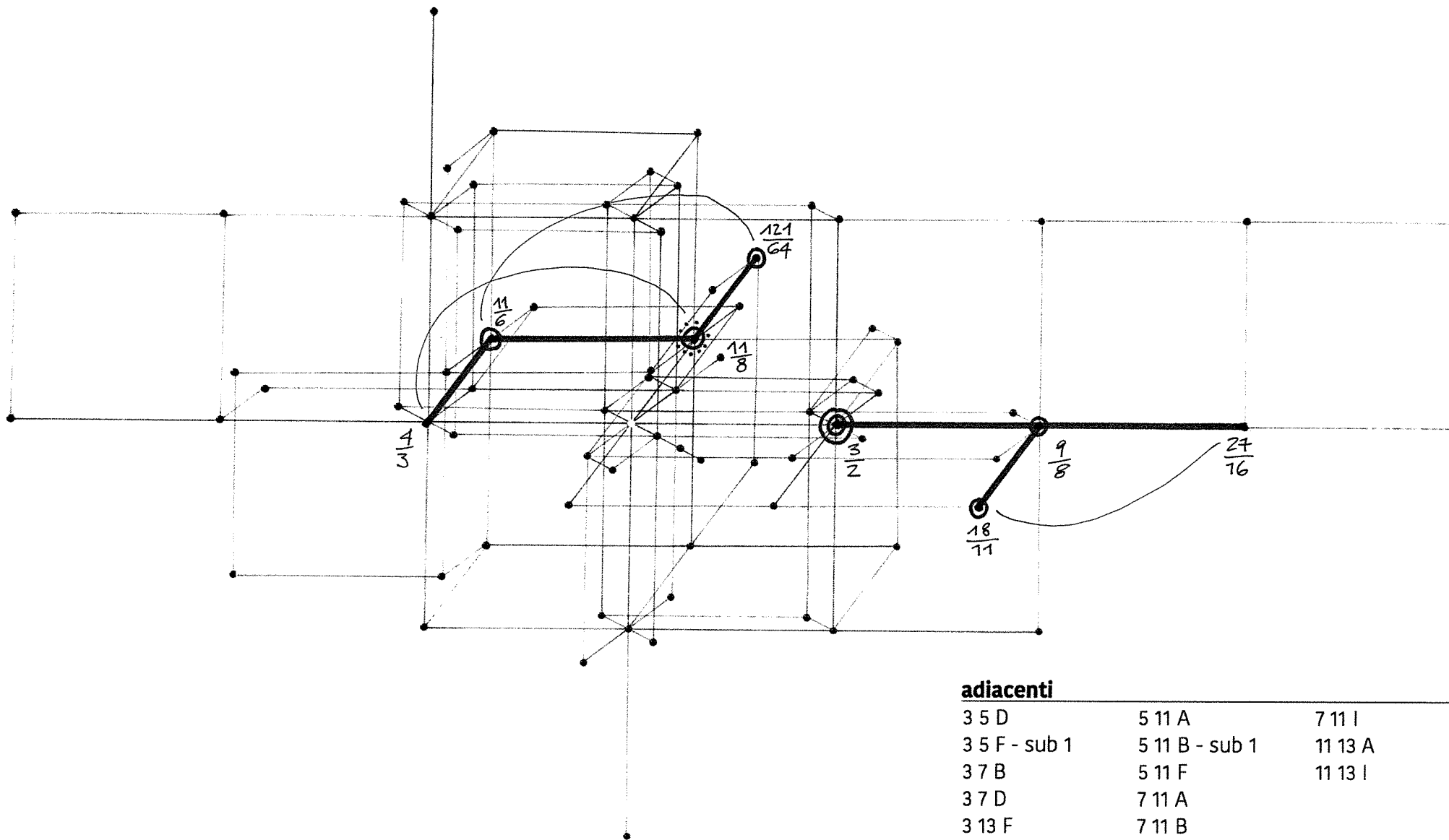
<b>13/12</b>	<b>13/8</b>	<b>39/32</b>	<b>117/64</b>	<b>429/256</b>
234	351	263.25	394.87	90.49



<b>adiacenti</b>	
3 5 E	5 11 E
3 7 C	7 11 H
3 13 B - sub 1	11 13 B
3 13 B - sub 2	

# 3 11 D - subset 1

$\frac{4}{3}$	$\frac{3}{2}$	$\frac{9}{8}$	$\frac{27}{16}$	$\frac{11}{6}$	$\frac{11}{8}$	$\frac{121}{64}$	$\frac{18}{11}$
288	81	243	364.5	396	594	204.18	353.45

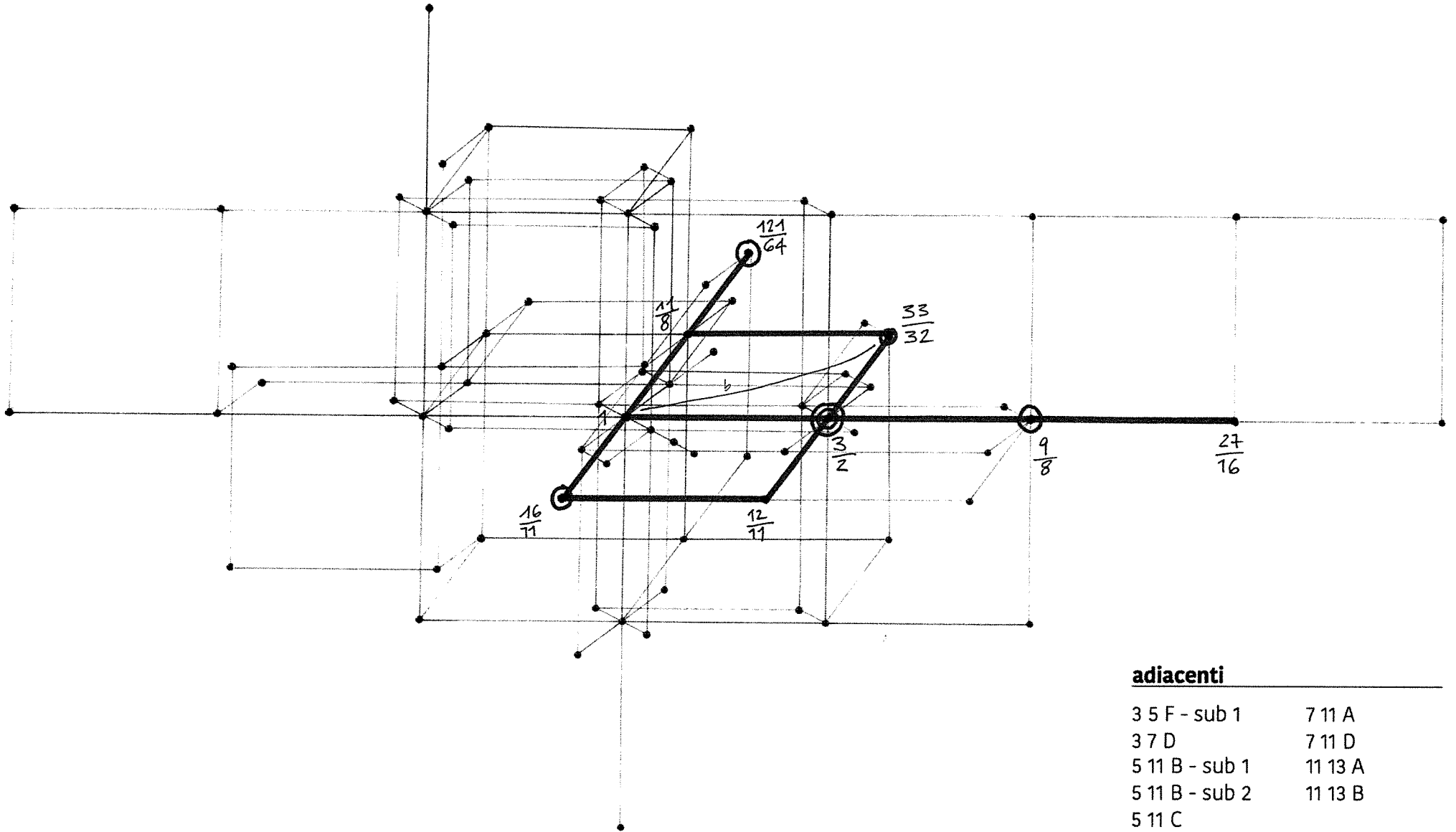


## adiacenti

3 5 D	5 11 A	7 11 I
3 5 F - sub 1	5 11 B - sub 1	11 13 A
3 7 B	5 11 F	11 13 I
3 7 D	7 11 A	
3 13 F	7 11 B	

# 3 11 D - subset 2

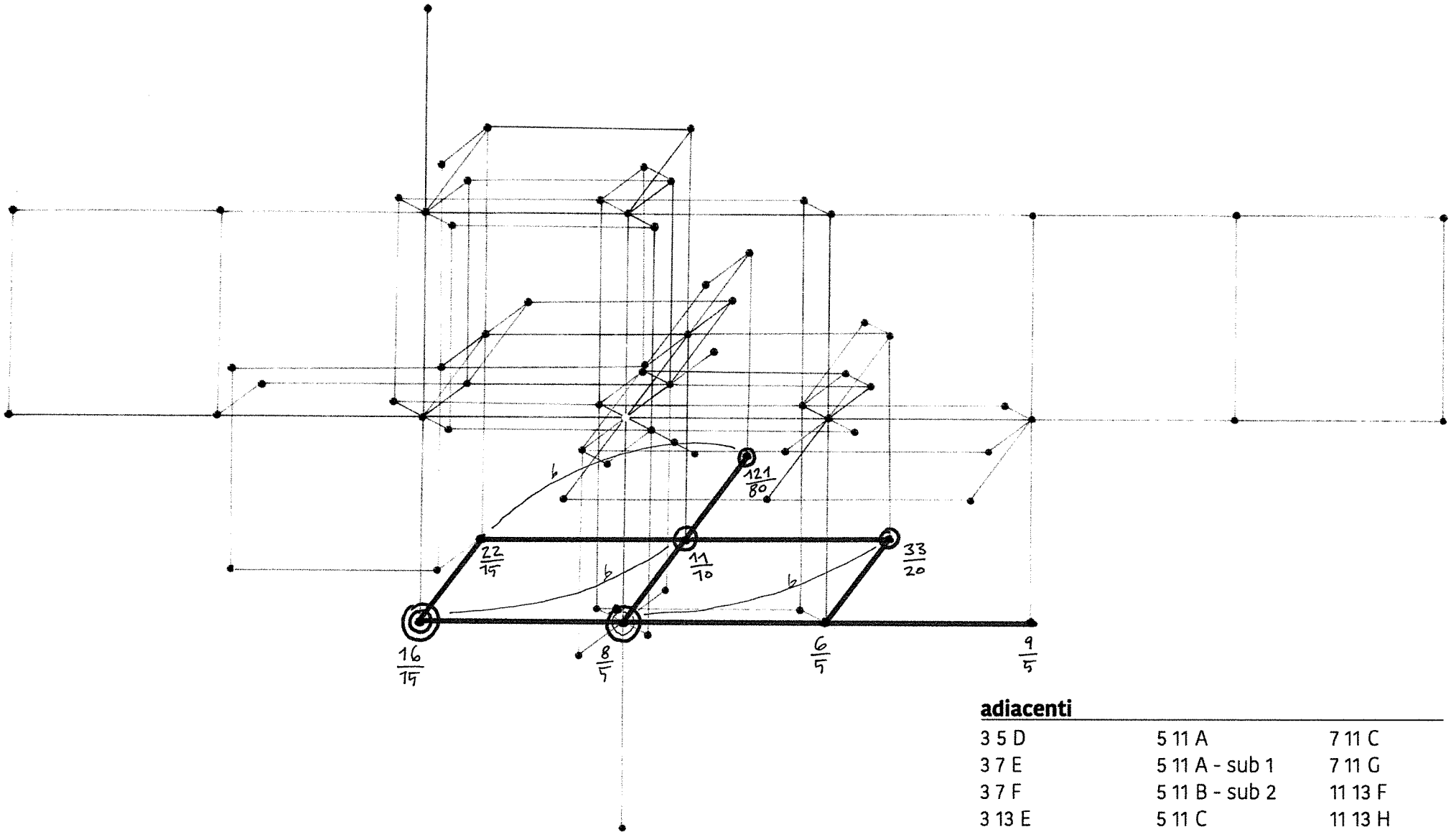
<b>1/1</b>	<b>3/2</b>	<b>9/8</b>	<b>27/16</b>	<b>11/8</b>	<b>33/32</b>	<b>121/64</b>	<b>16/11</b>	<b>12/11</b>
432	81	121.5	182.25	297	445.5	204.18	314.18	235.63



## adiacenti

3 5 F - sub 1	7 11 A
3 7 D	7 11 D
5 11 B - sub 1	11 13 A
5 11 B - sub 2	11 13 B
5 11 C	

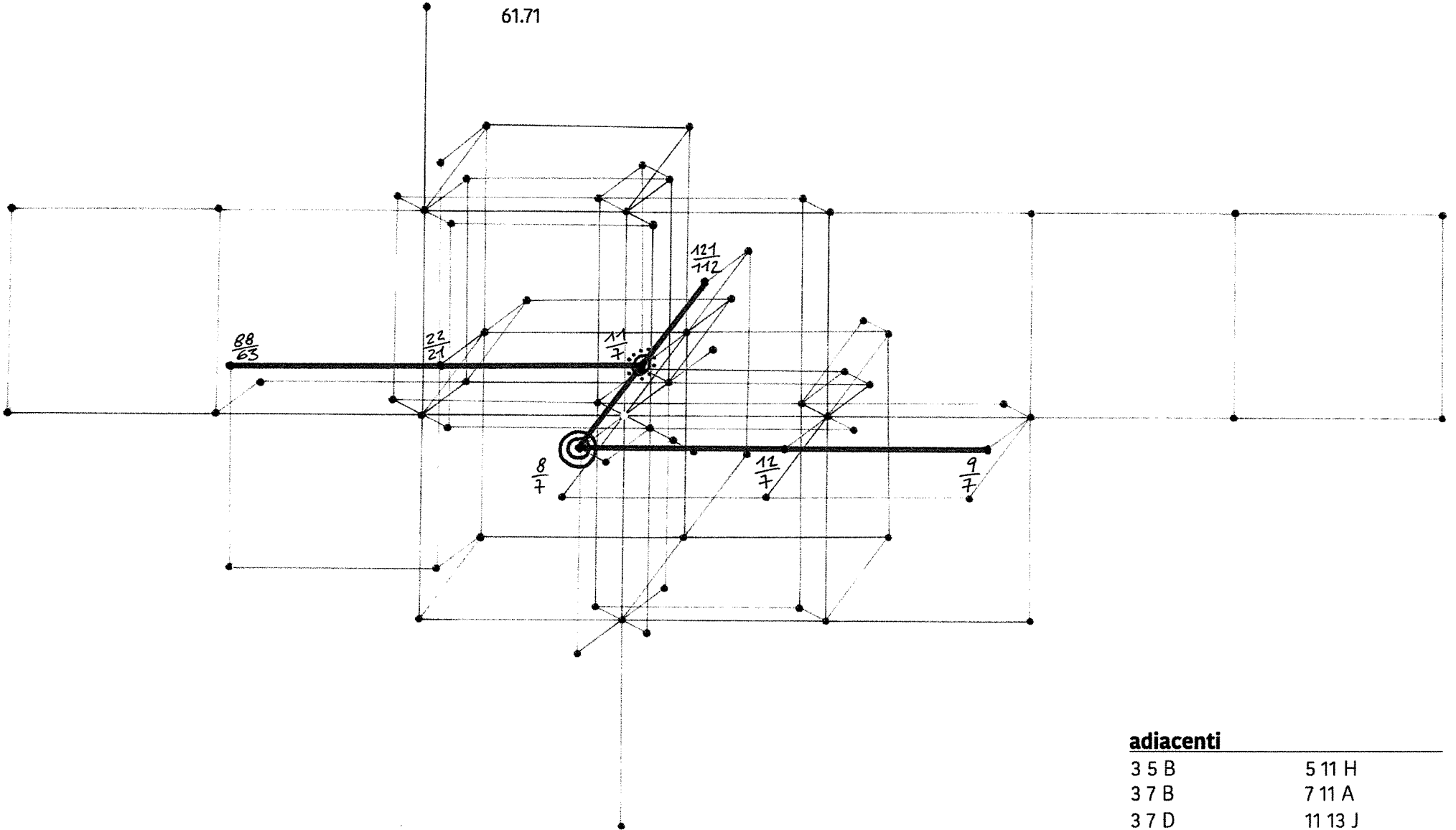
<b>16/15</b>	<b>8/5</b>	<b>6/5</b>	<b>9/5</b>	<b>22/15</b>	<b>11/10</b>	<b>33/20</b>	<b>121/80</b>
57.6	345.6 172.8	259.2	388.8	316.8	118.8	178.2	326.7



**adiacenti**

3 5 D	5 11 A	7 11 C
3 7 E	5 11 A - sub 1	7 11 G
3 7 F	5 11 B - sub 2	11 13 F
3 13 E	5 11 C	11 13 H

<b>88/63</b>	<b>22/21</b>	<b>11/7</b>	<b>121/112</b>	<b>8/7</b>	<b>12/7</b>	<b>9/7</b>
603.42	452.57	678.85	466.71	246.85 123.42 61.71	370.28	277.71

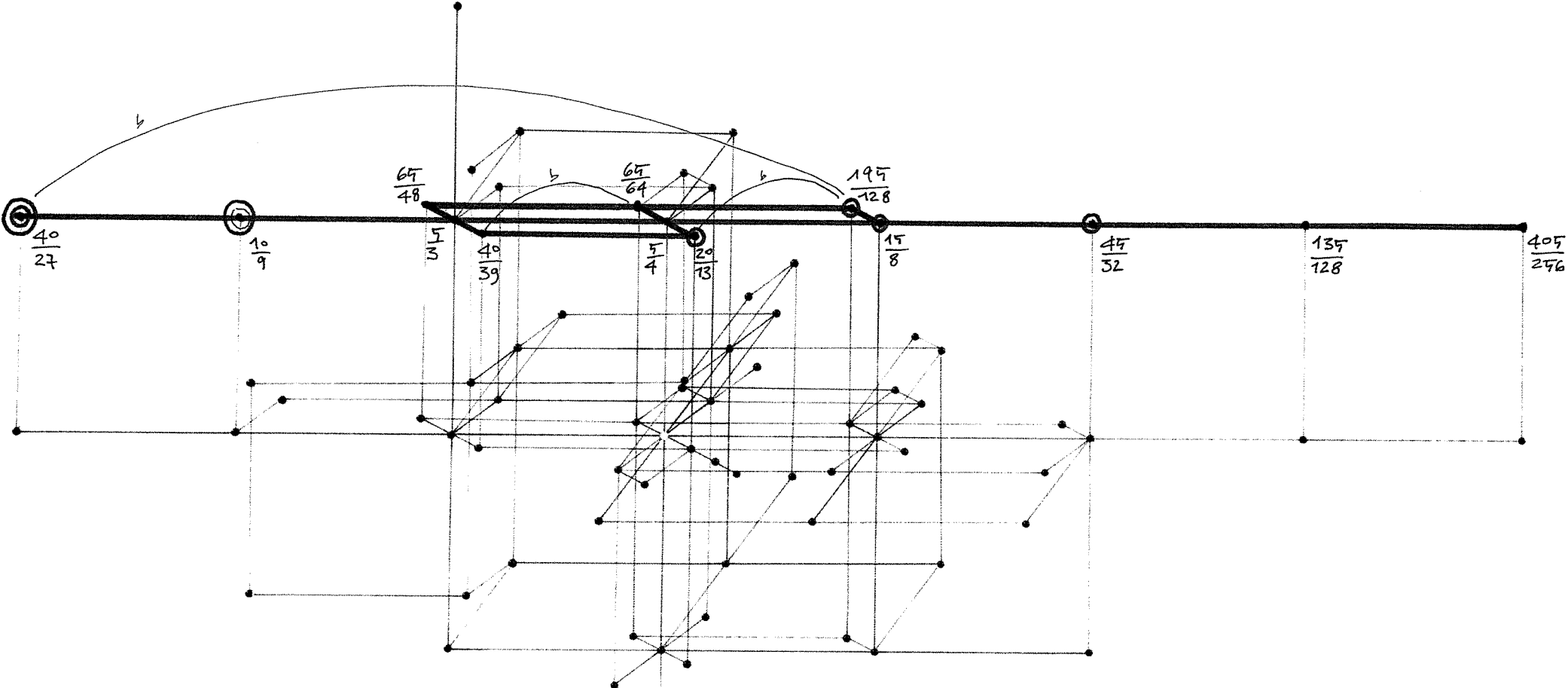


**adiacenti**

3 5 B	5 11 H
3 7 B	7 11 A
3 7 D	11 13 J

# 3 13 A

<b>40/27</b>	<b>10/9</b>	<b>5/3</b>	<b>5/4</b>	<b>15/8</b>	<b>45/32</b>	<b>135/128</b>	<b>405/256</b>	<b>40/39</b>	<b>20/13</b>	<b>65/48</b>	<b>65/64</b>	<b>195/128</b>
80	120	360	540	202.5	607.5	455.62	341.71	443.07	166.15	585	438.75	164.53
	240											



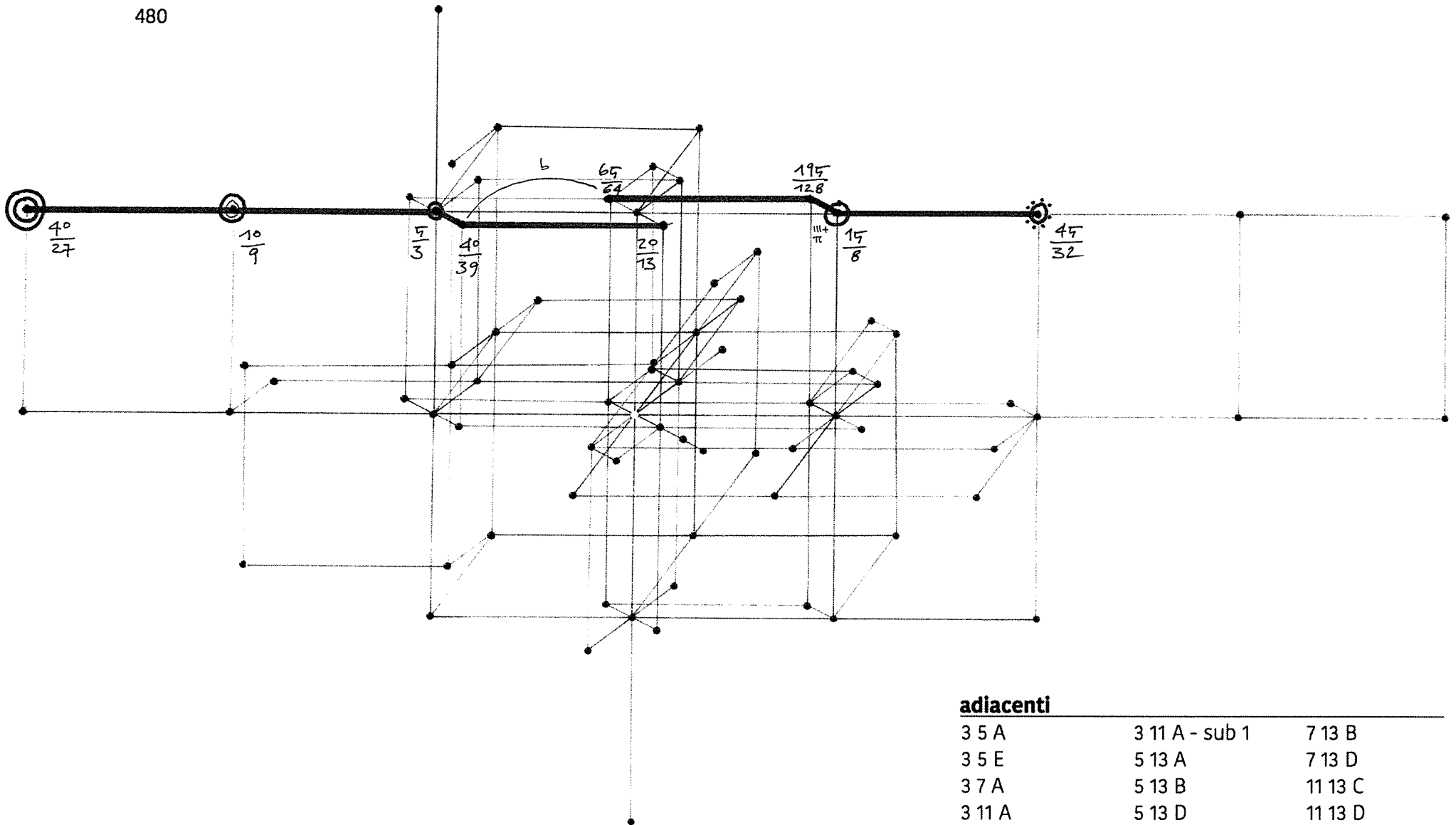
**adiacenti**

---

3 5 A	3 11 A - sub 1	7 13 D
3 5 E	5 13 A	11 13 C
3 5 F - sub 1	5 13 B	11 13 D
3 7 A	5 13 D	
3 11 A	7 13 B	

# 3 13 A - subset 1

<b>40/27</b>	<b>10/9</b>	<b>5/3</b>	<b>15/8</b>	<b>45/32</b>	<b>40/39</b>	<b>20/13</b>	<b>65/64</b>	<b>195/128</b>
80	120	360	202.5	607.5	443.07	166.15	438.75	164.53
	240							
	480							

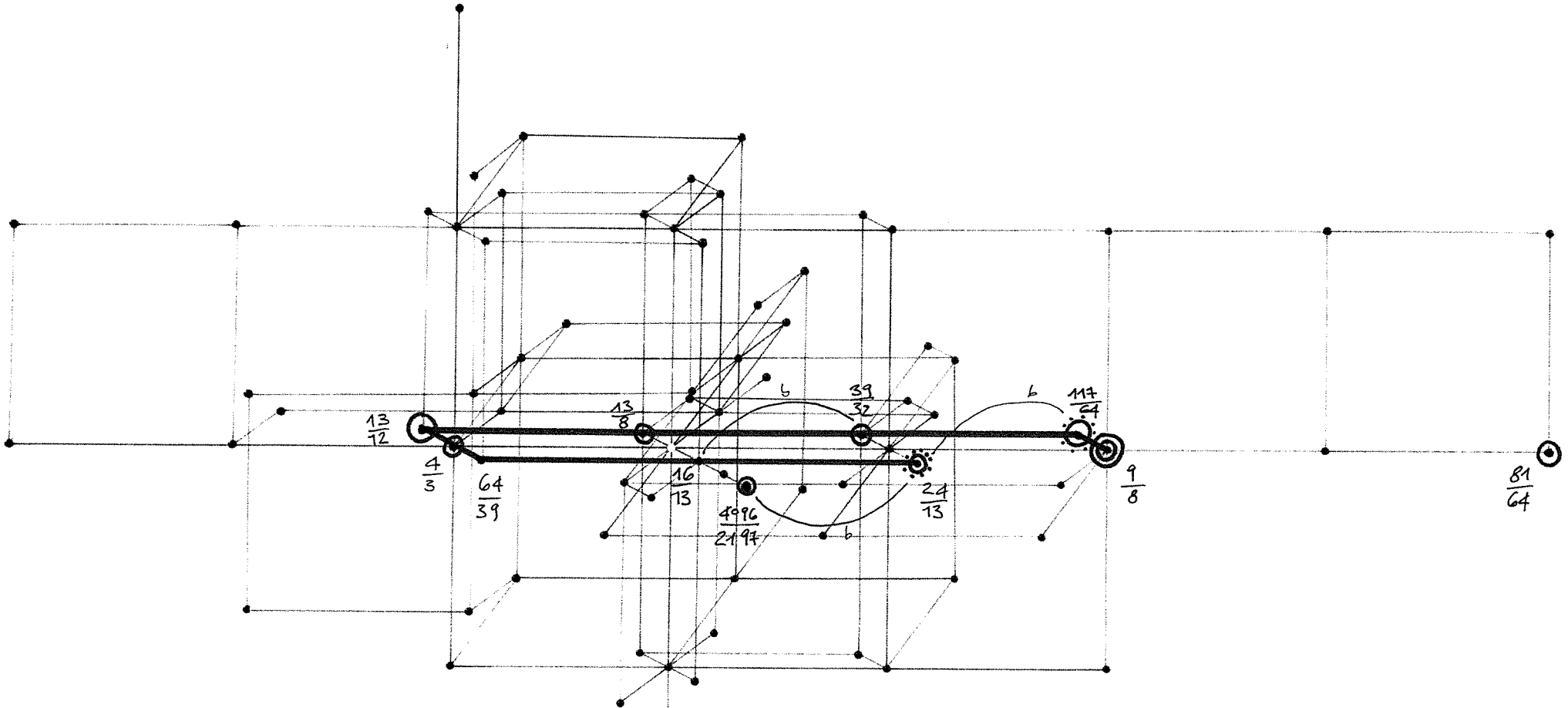


## adiacenti

3 5 A	3 11 A - sub 1	7 13 B
3 5 E	5 13 A	7 13 D
3 7 A	5 13 B	11 13 C
3 11 A	5 13 D	11 13 D

# 3 13 B - subset 1

<b>4/3</b>	<b>9/8</b>	<b>81/64</b>	<b>13/12</b>	<b>13/8</b>	<b>39/32</b>	<b>117/64</b>	<b>64/39</b>	<b>16/13</b>	<b>24/13</b>	<b>4096/2197</b>
144	60.75	273.37	234 117	175.5	263.25	789.75 394.87	354.46	265.84	797.53	402.7



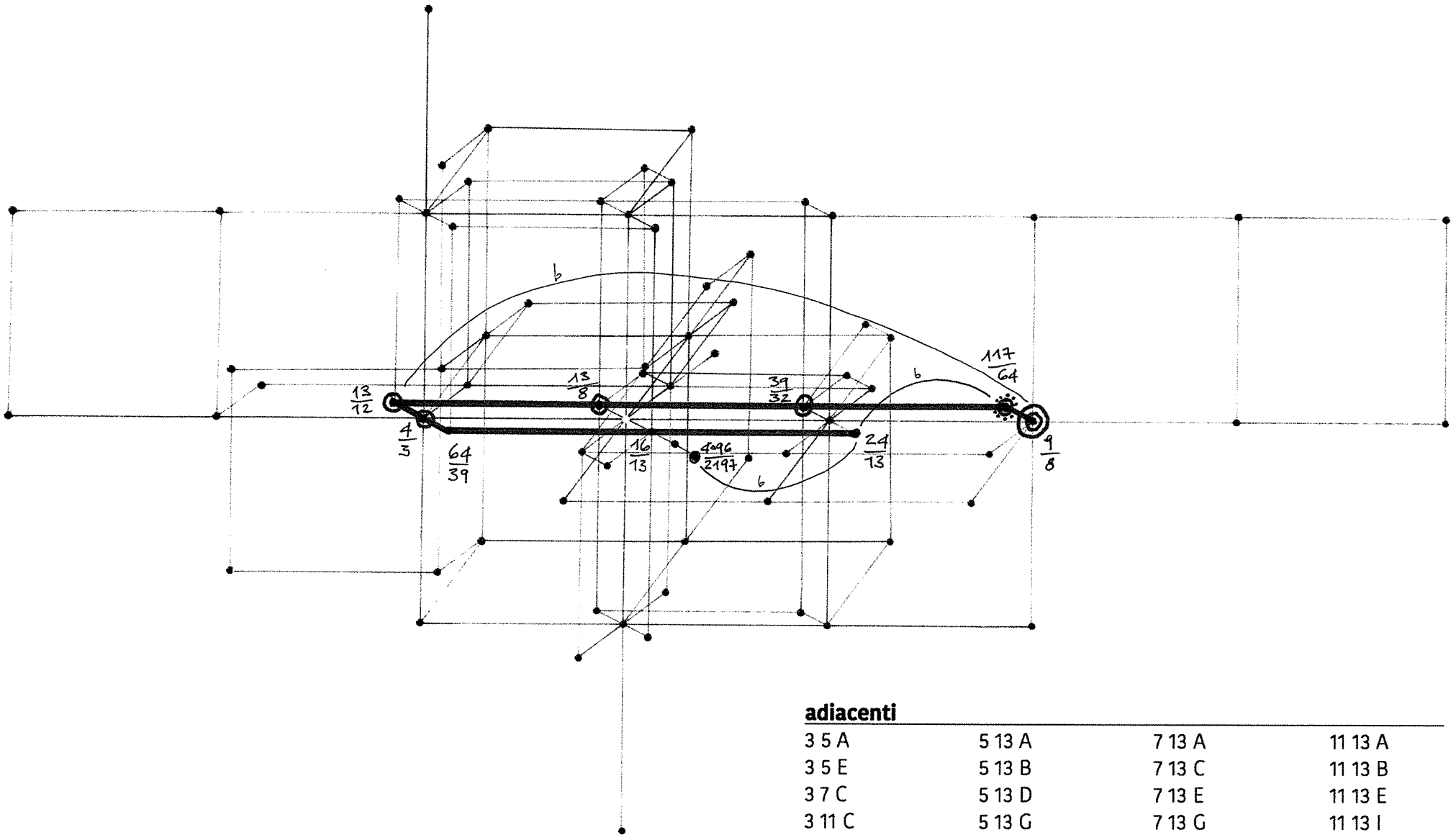
## adiacenti

3 5 A	5 13 A	7 13 A	11 13 A
3 5 E	5 13 B	7 13 C	11 13 B
3 7 C	5 13 D	7 13 E	11 13 E
3 11 C	5 13 G	7 13 G	11 13 I



# 3 13 B - subset 2

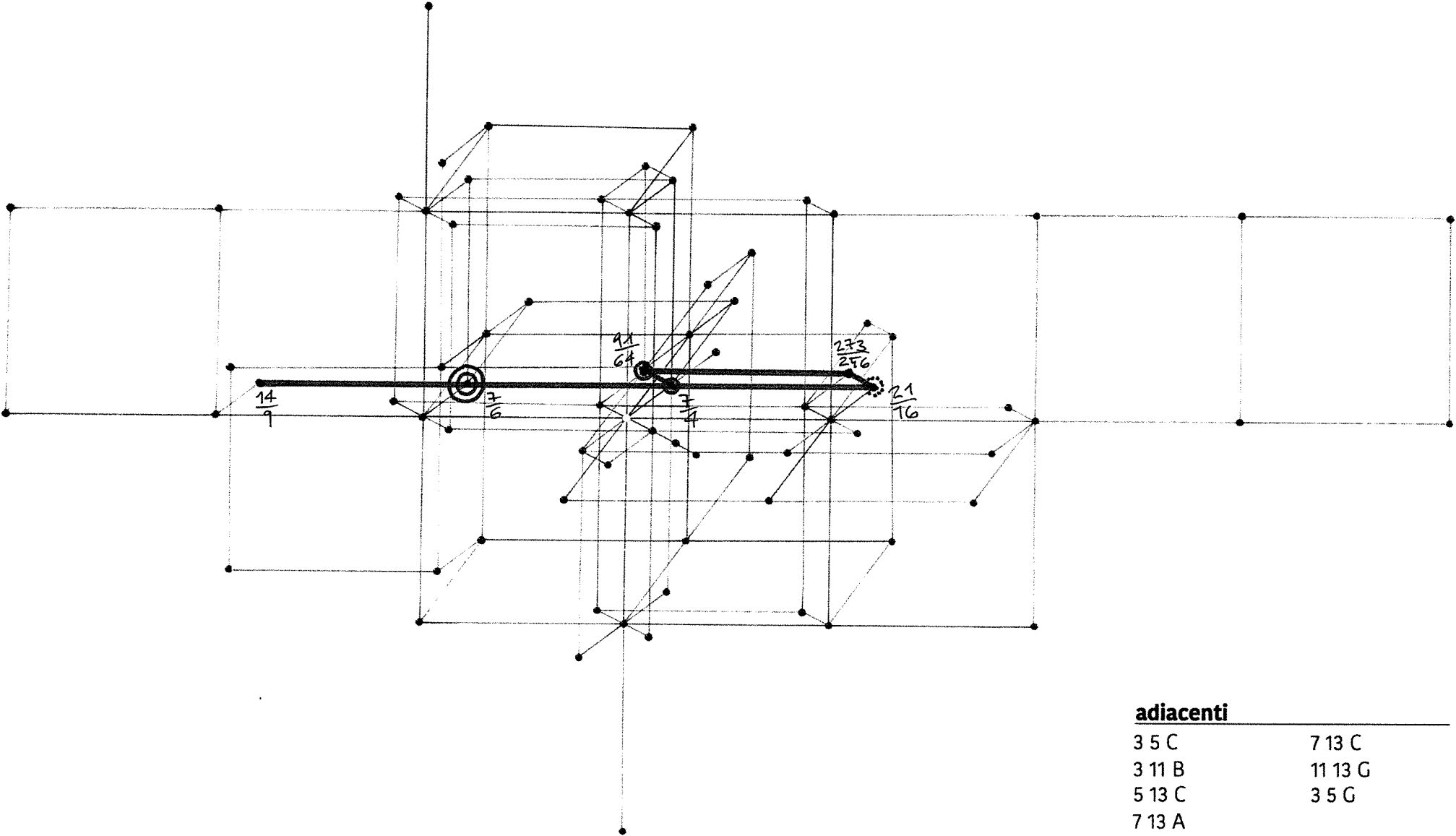
<b>4/3</b>	<b>9/8</b>	<b>13/12</b>	<b>13/8</b>	<b>39/32</b>	<b>117/64</b>	<b>64/39</b>	<b>16/13</b>	<b>24/13</b>	<b>4096/2197</b>
144	60.75	117	175.5	263.25	394.87	117.23	265.84	398.76	402.7



## adiacenti

3 5 A	5 13 A	7 13 A	11 13 A
3 5 E	5 13 B	7 13 C	11 13 B
3 7 C	5 13 D	7 13 E	11 13 E
3 11 C	5 13 G	7 13 G	11 13 I

<b>14/9</b>	<b>7/6</b>	<b>7/4</b>	<b>21/16</b>	<b>91/64</b>	<b>273/256</b>
336	63	189	567	307.12	230.34
	252	378			

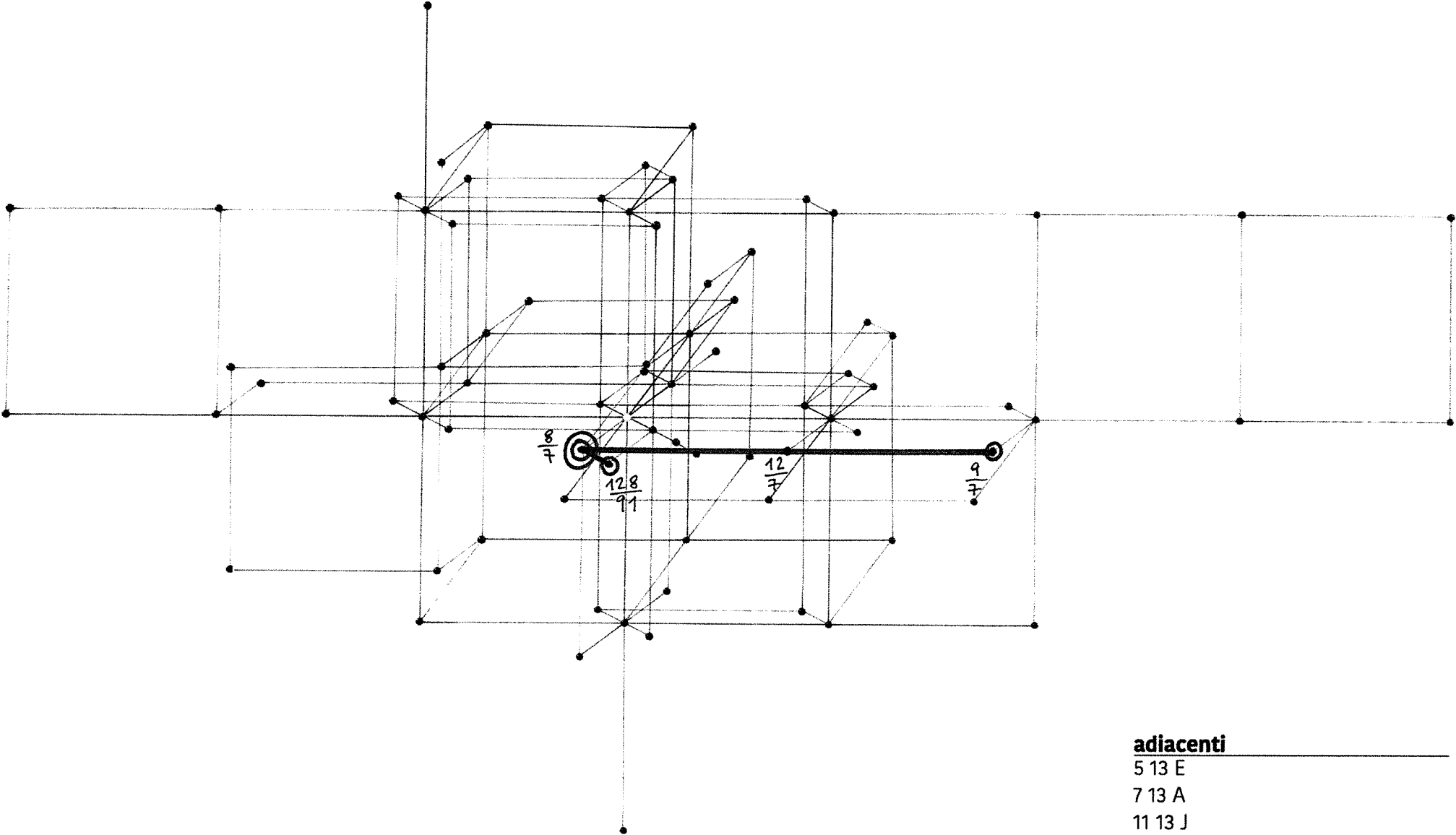


**adiacenti**

---

3 5 C	7 13 C
3 11 B	11 13 G
5 13 C	3 5 G
7 13 A	

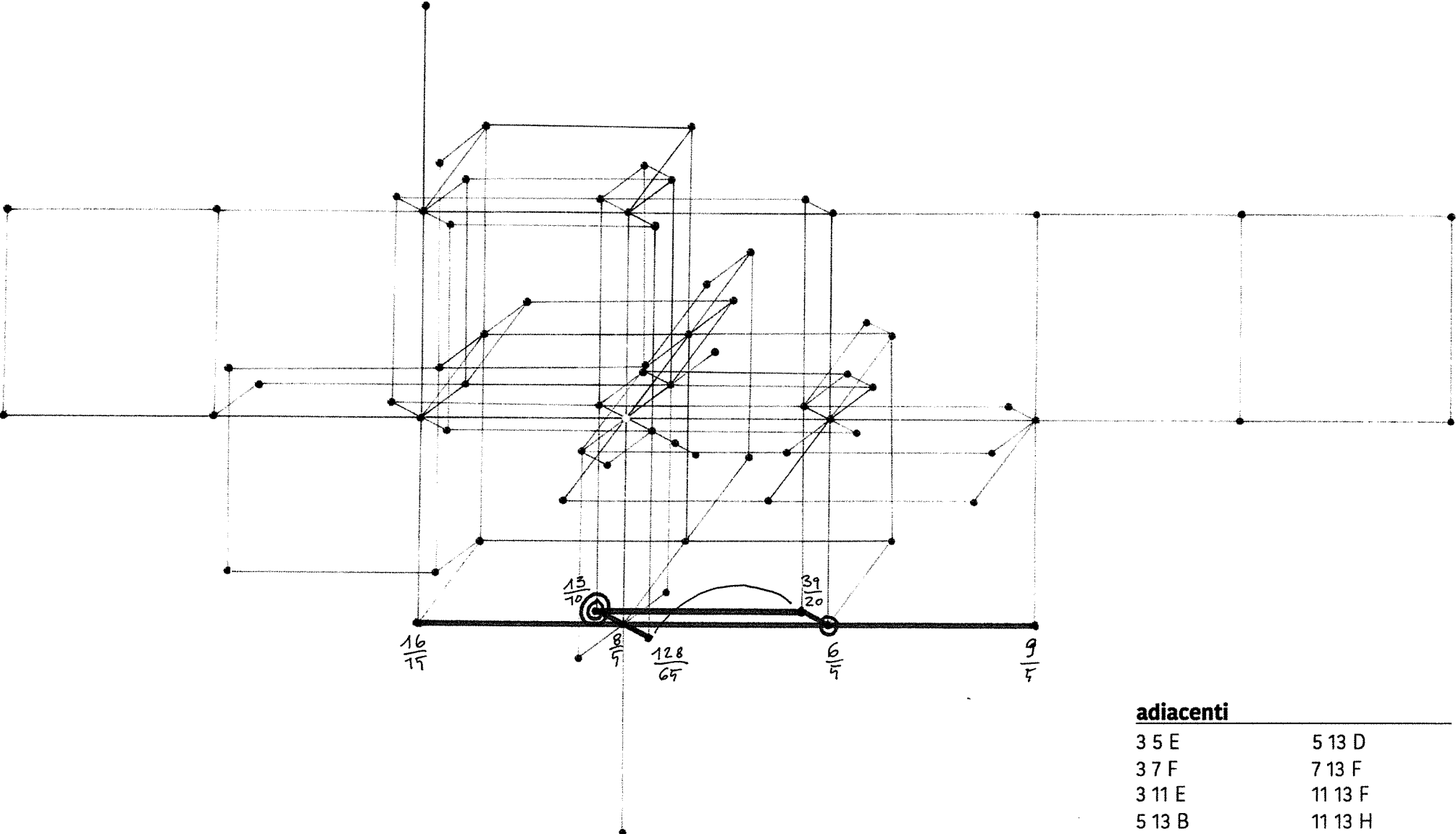
8/7	12/7	9/7	128/91
123.42	185.14	277.71	303.82
61.7		555.42	151.91



**adiacenti**

- 5 13 E
- 7 13 A
- 11 13 J

<b>16/15</b>	<b>8/5</b>	<b>6/5</b>	<b>9/5</b>	<b>13/10</b>	<b>39/20</b>	<b>128/65</b>
460.8	172.8	518.4	388.8	70.2	210.6	106.33

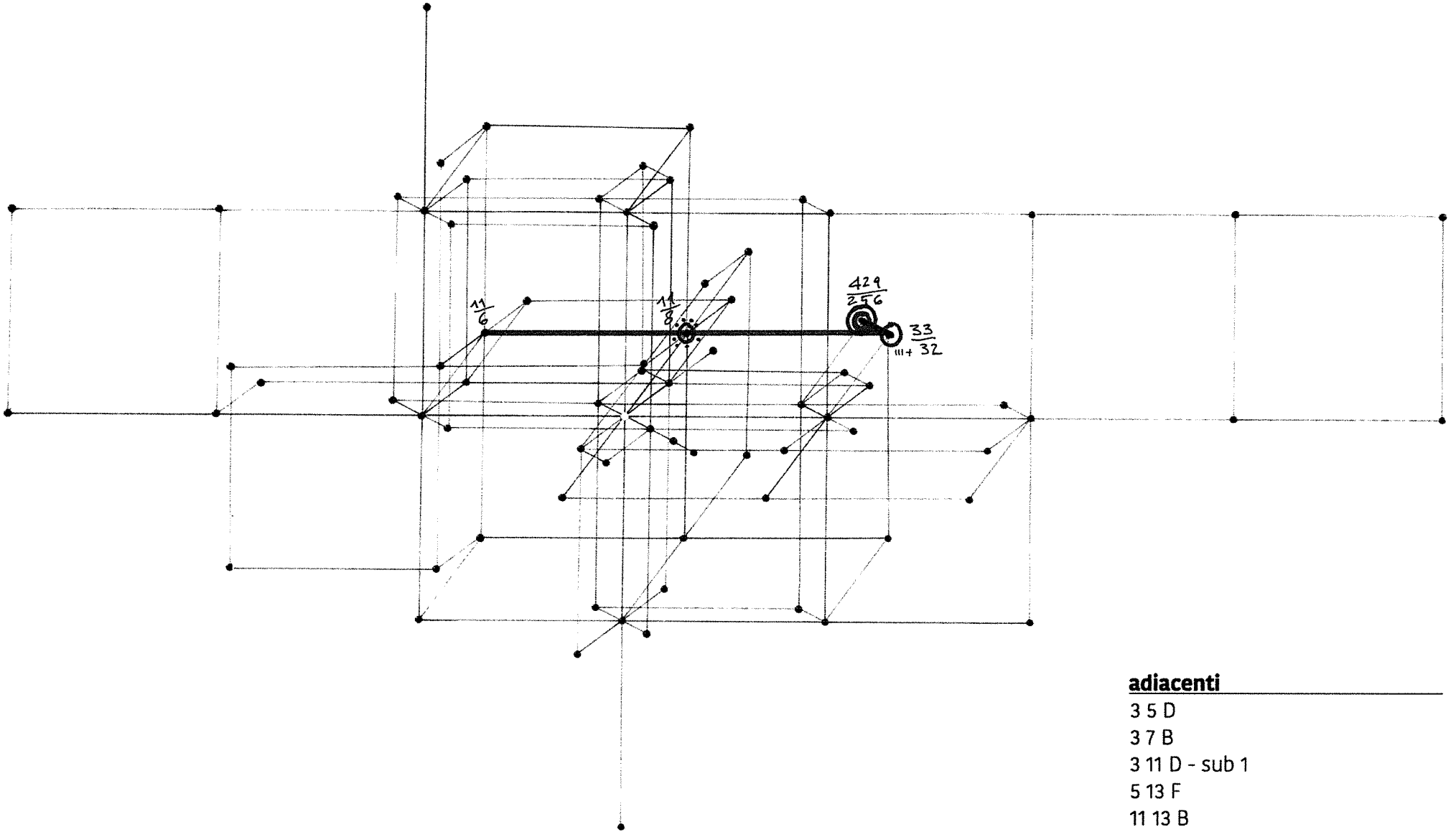


**adiacenti**

---

3 5 E	5 13 D
3 7 F	7 13 F
3 11 E	11 13 F
5 13 B	11 13 H

<b>11/6</b>	<b>11/8</b>	<b>33/32</b>	<b>429/256</b>
396	594	445.5	90.49
		222.75	45.24

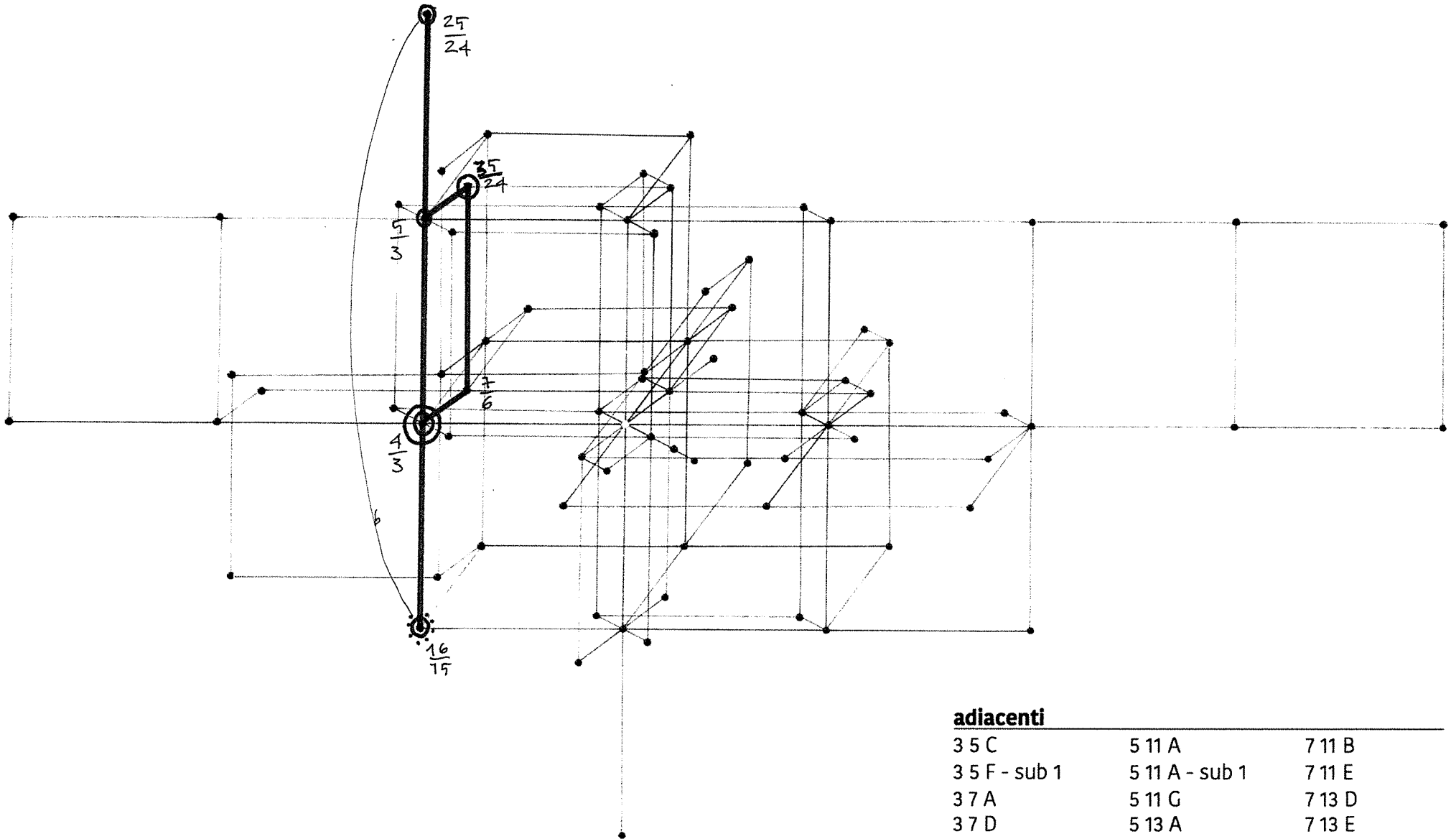


**adiacenti**

---

- 3 5 D
- 3 7 B
- 3 11 D - sub 1
- 5 13 F
- 11 13 B

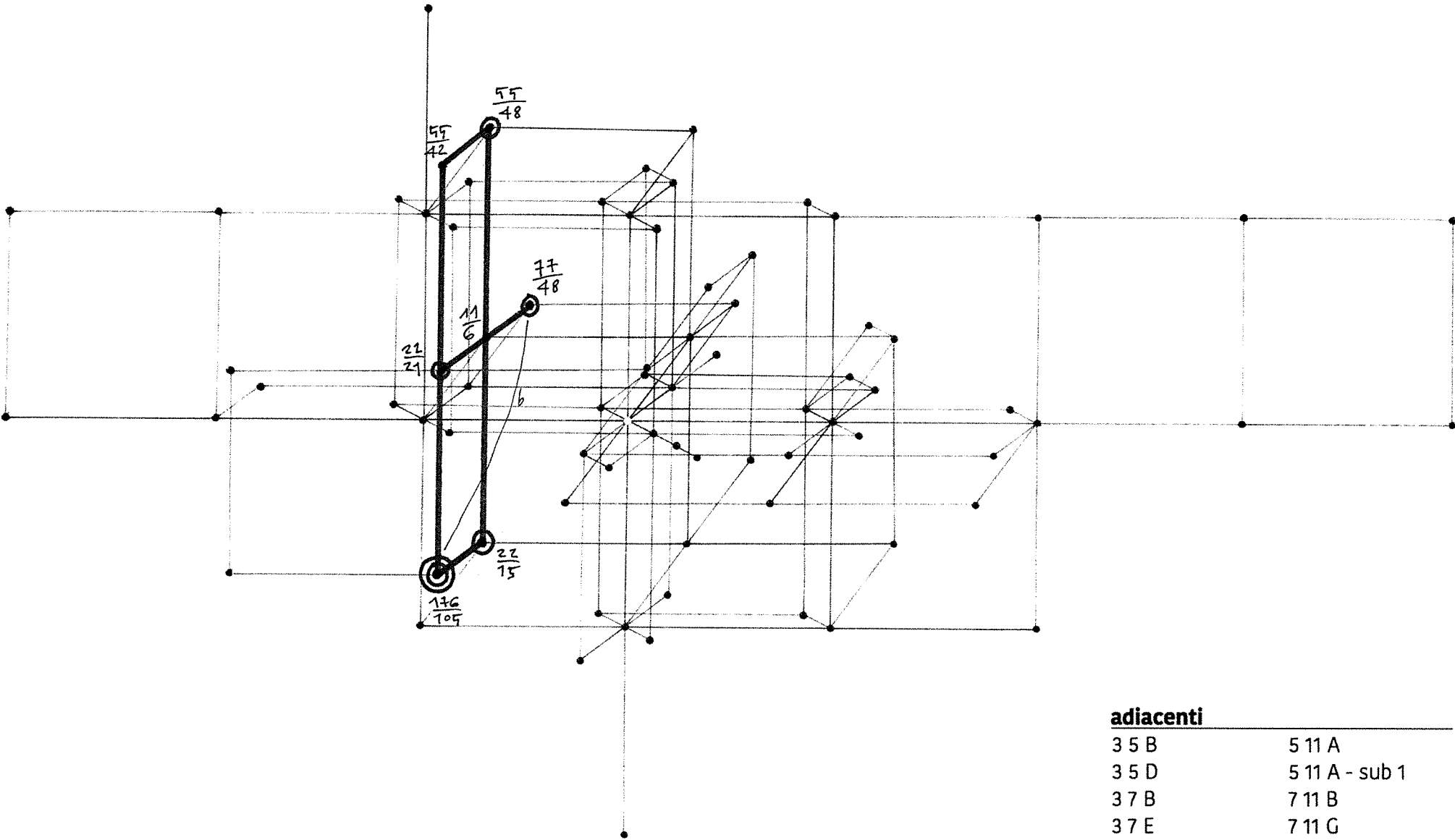
<b>16/15</b>	<b>4/3</b>	<b>5/3</b>	<b>25/24</b>	<b>7/6</b>	<b>35/24</b>
460.8	72	360	450	252	315



**adiacenti**

3 5 C	5 11 A	7 11 B
3 5 F - sub 1	5 11 A - sub 1	7 11 E
3 7 A	5 11 G	7 13 D
3 7 D	5 13 A	7 13 E

<b>176/105</b>	<b>22/21</b>	<b>55/42</b>	<b>22/15</b>	<b>11/6</b>	<b>55/48</b>	<b>77/48</b>
90.51	452.57	282.85	316.8	396	247.5	346.5

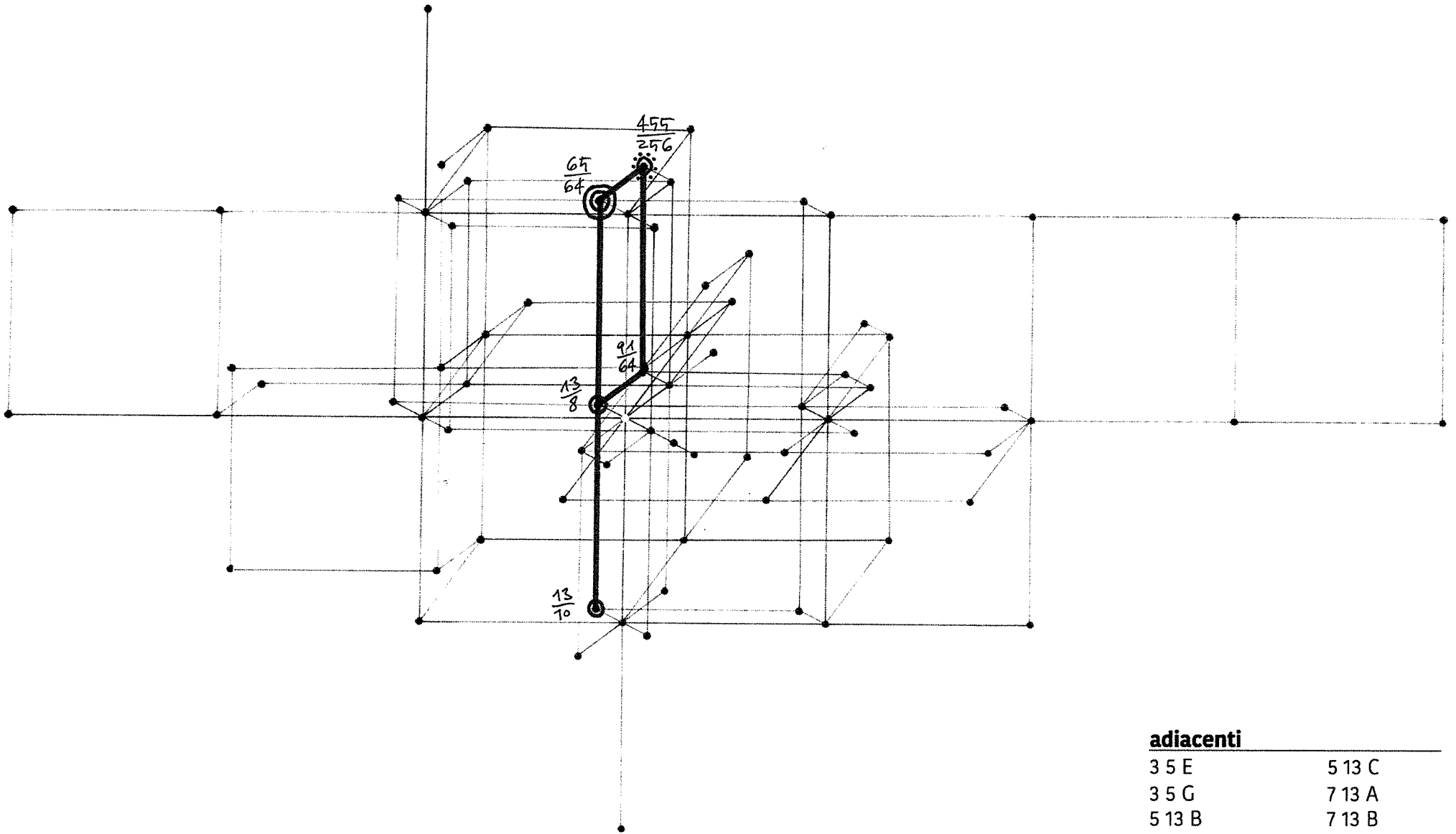


**adiacenti**

---

3 5 B	5 11 A
3 5 D	5 11 A - sub 1
3 7 B	7 11 B
3 7 E	7 11 G

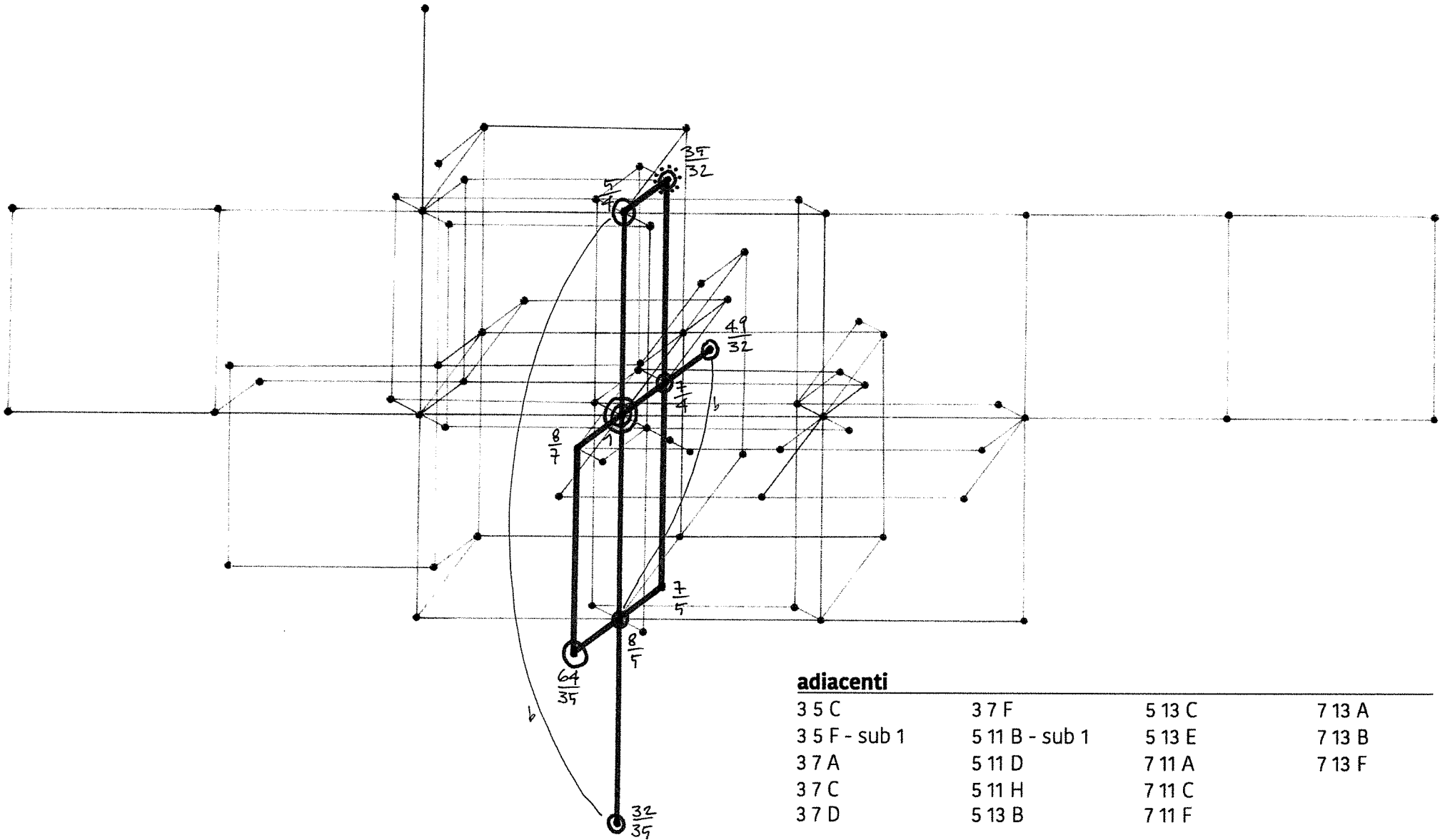
<b>13/10</b>	<b>13/8</b>	<b>65/64</b>	<b>455/256</b>	<b>91/64</b>
280.8	175.5	109.68	383.9	307.12



<b>adiacenti</b>	
3 5 E	5 13 C
3 5 G	7 13 A
5 13 B	7 13 B



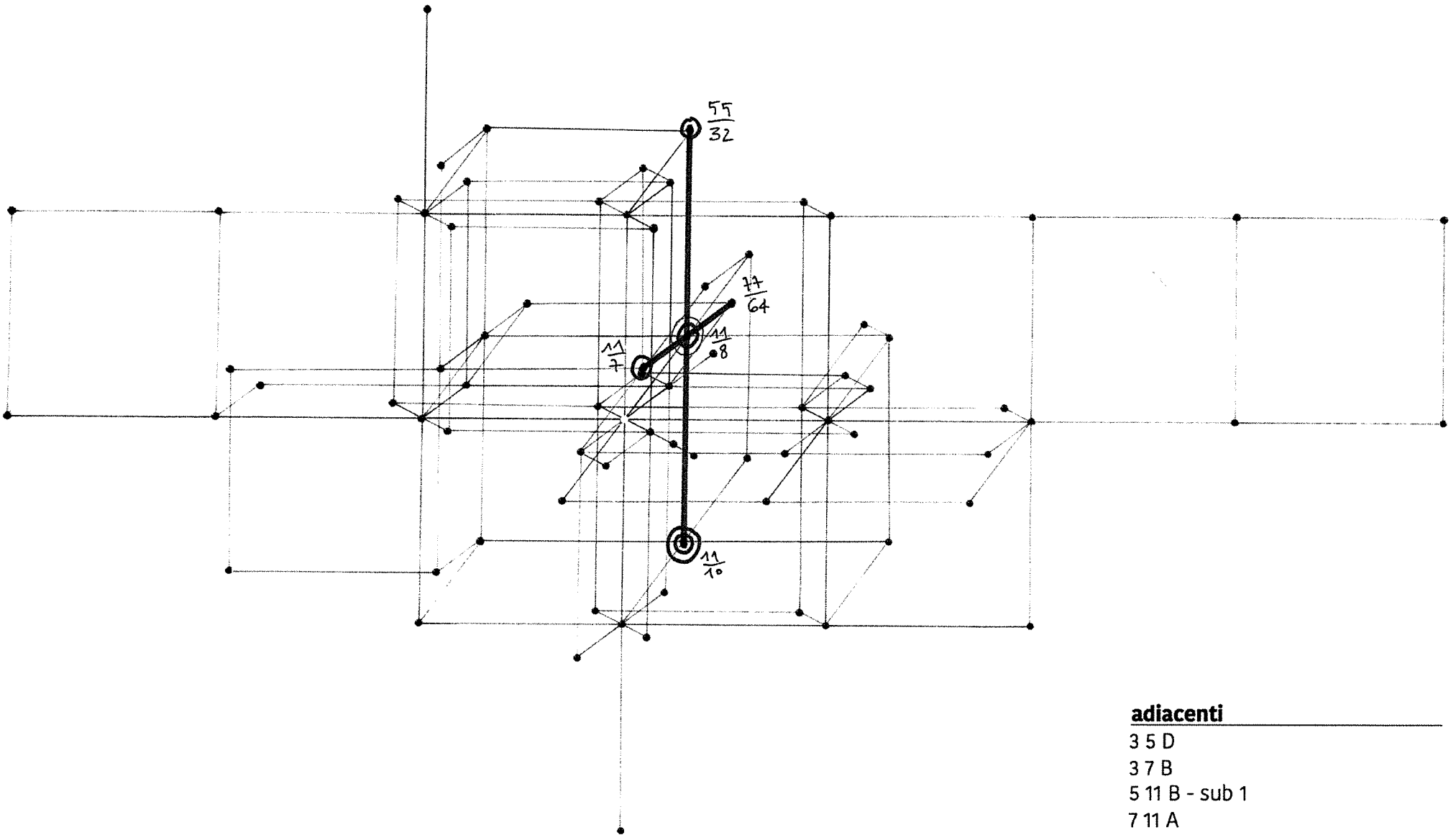
<b>64/35</b>	<b>8/7</b>	<b>32/25</b>	<b>8/5</b>	<b>1/1</b>	<b>5/4</b>	<b>7/5</b>	<b>7/4</b>	<b>35/32</b>	<b>49/32</b>
394.97	246.85	138.24	345.6	54	135	302.4	189	472.5	330.75



**adiacenti**

3 5 C	3 7 F	5 13 C	7 13 A
3 5 F - sub 1	5 11 B - sub 1	5 13 E	7 13 B
3 7 A	5 11 D	7 11 A	7 13 F
3 7 C	5 11 H	7 11 C	
3 7 D	5 13 B	7 11 F	

<b>11/8</b>	<b>11/10</b>	<b>55/32</b>	<b>11/7</b>	<b>77/64</b>
148.5	59.4	371.25	339.42	59.75

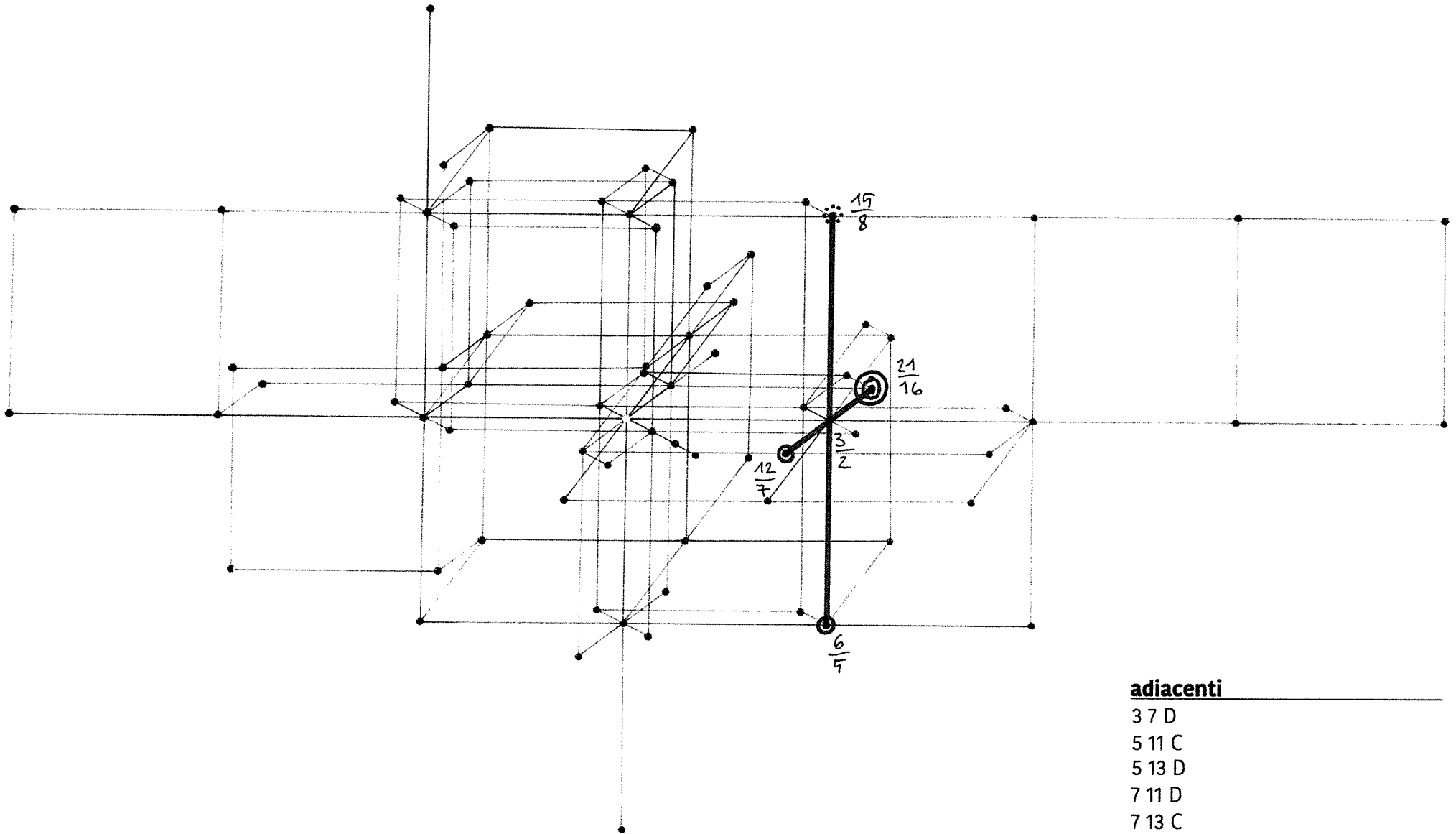


**adiacenti**

---

- 3 5 D
- 3 7 B
- 5 11 B - sub 1
- 7 11 A

<b>6/5</b>	<b>3/2</b>	<b>15/8</b>	<b>12/7</b>	<b>21/16</b>
259.2	324	405	185.14	70.87

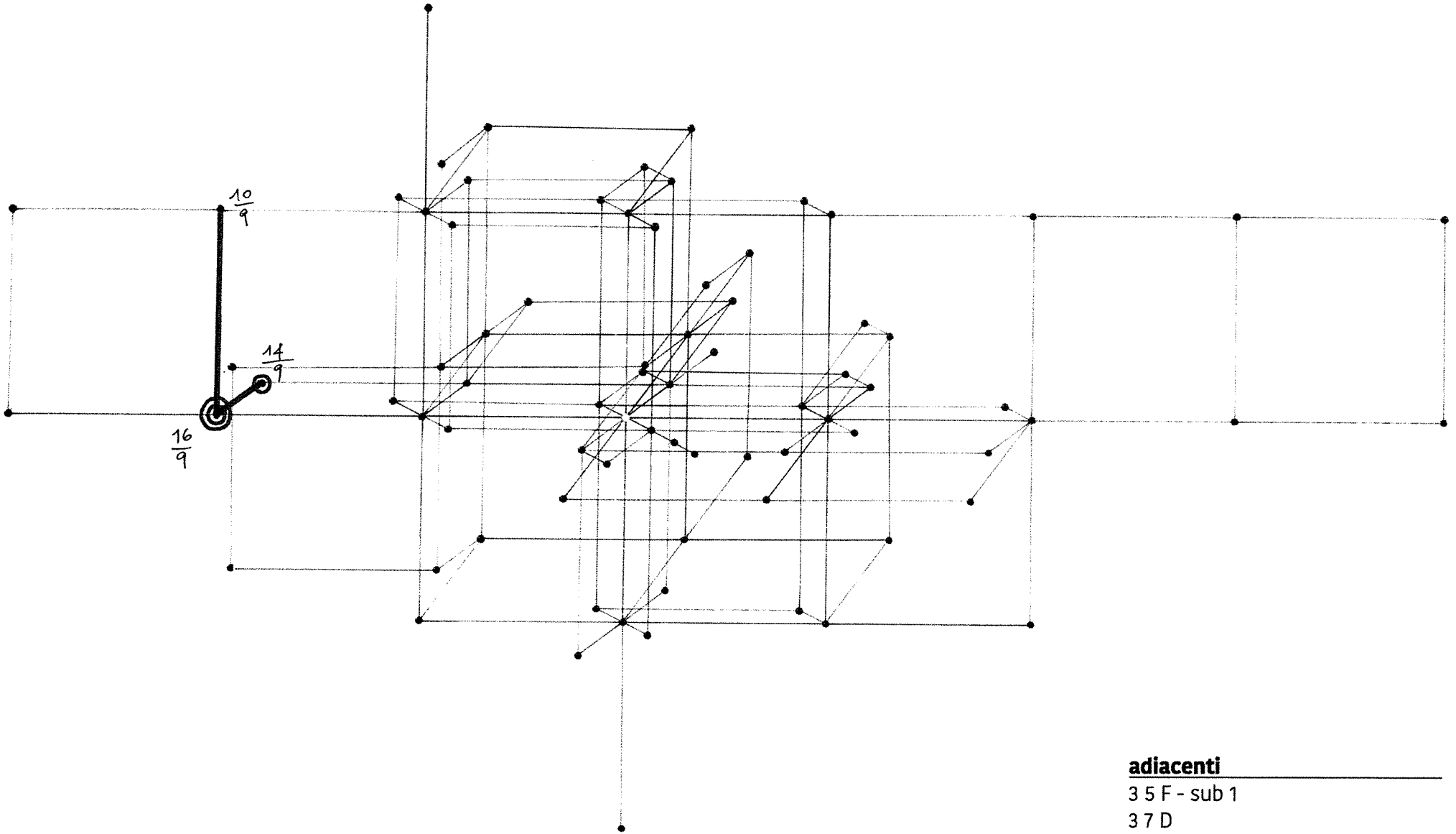


**adiacenti**

---

- 3 7 D
- 5 11 C
- 5 13 D
- 7 11 D
- 7 13 C

<b>16/9</b>	<b>10/9</b>	<b>14/9</b>
192	240	168
48		

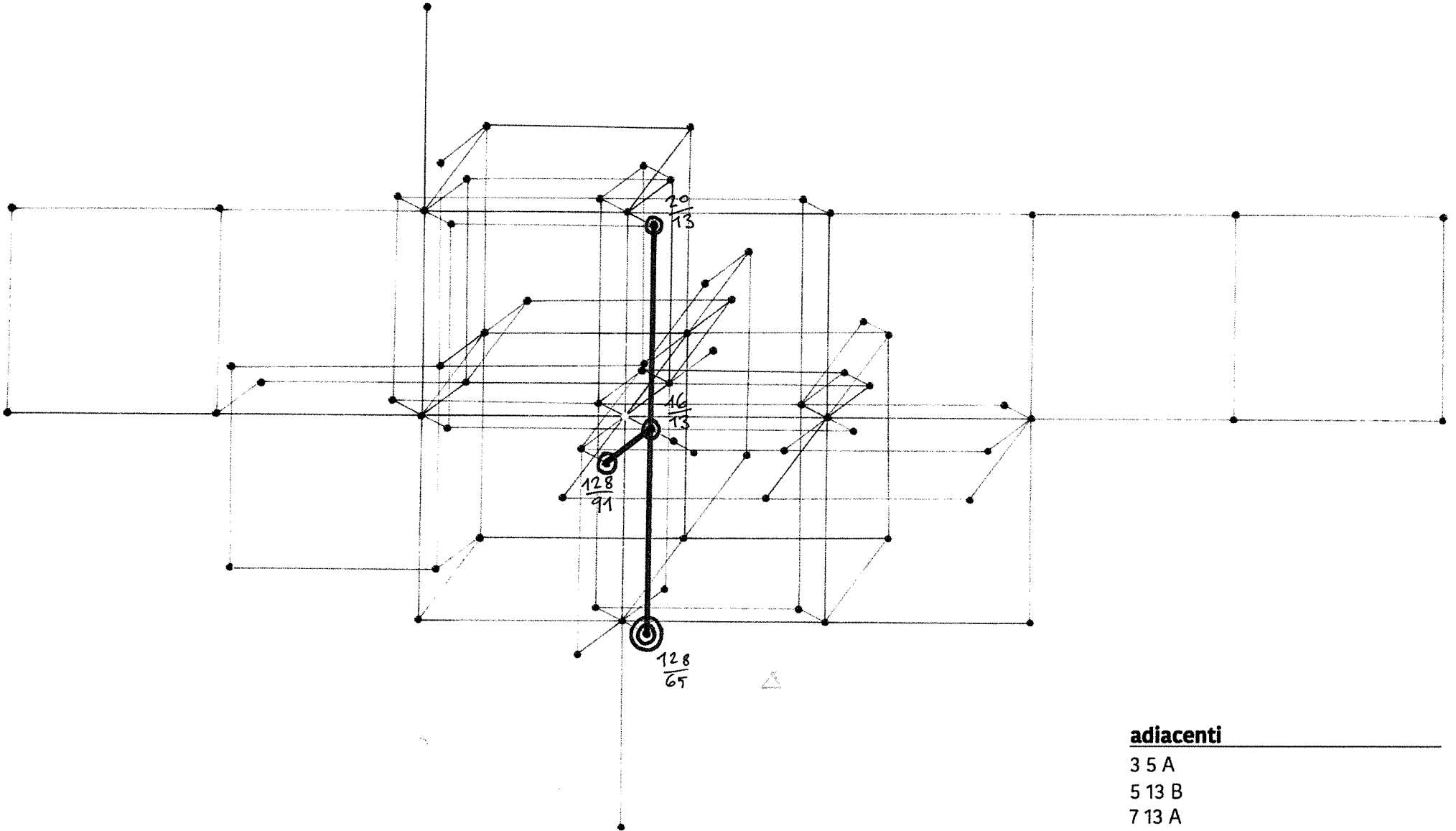


**adiacenti**

3 5 F - sub 1

3 7 D

**128/65**    **16/13**    **20/13**    **128/91**  
106.33    265.84    332.3    303.82  
53.16



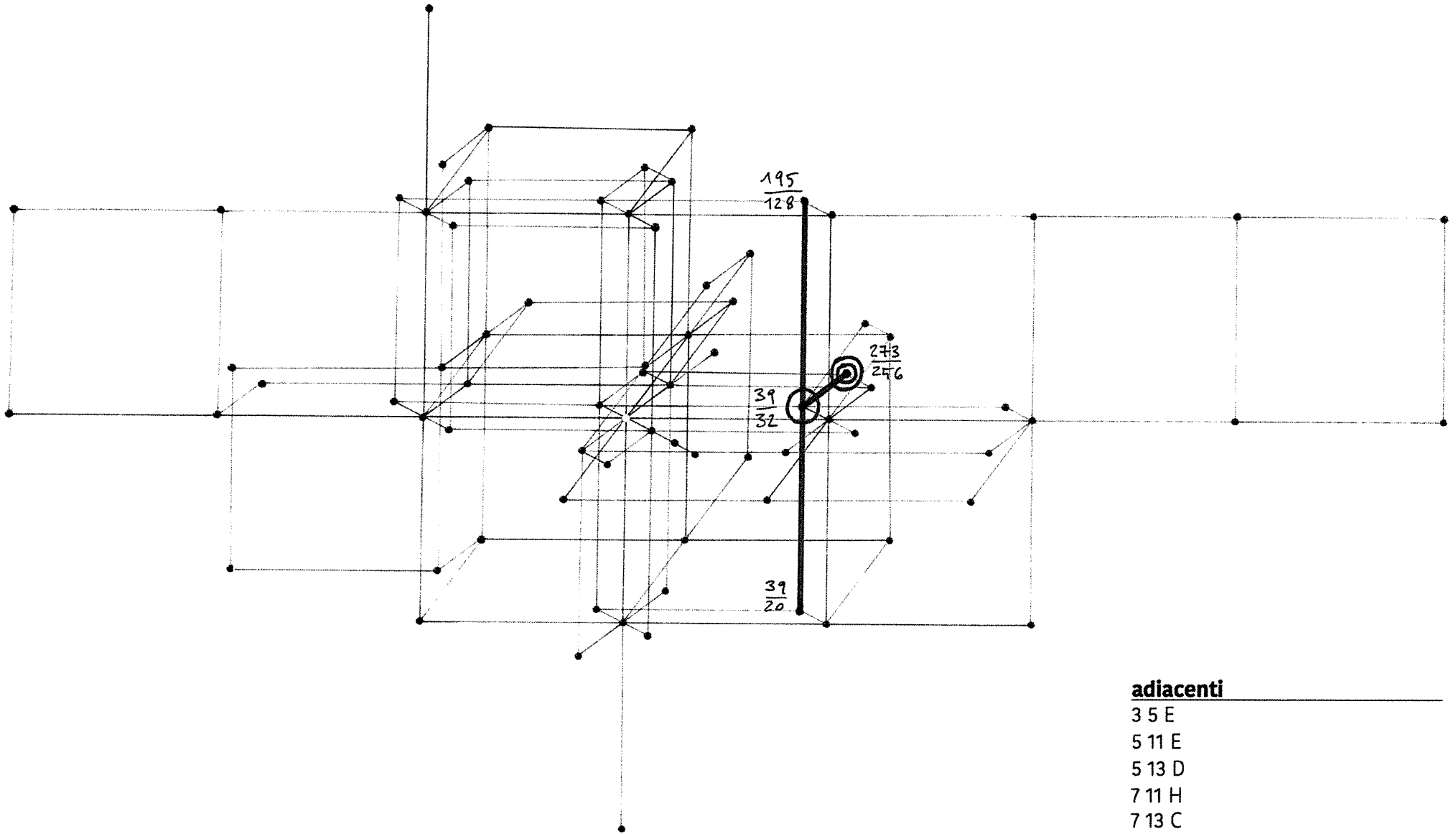
**adiacenti**

3 5 A

5 13 B

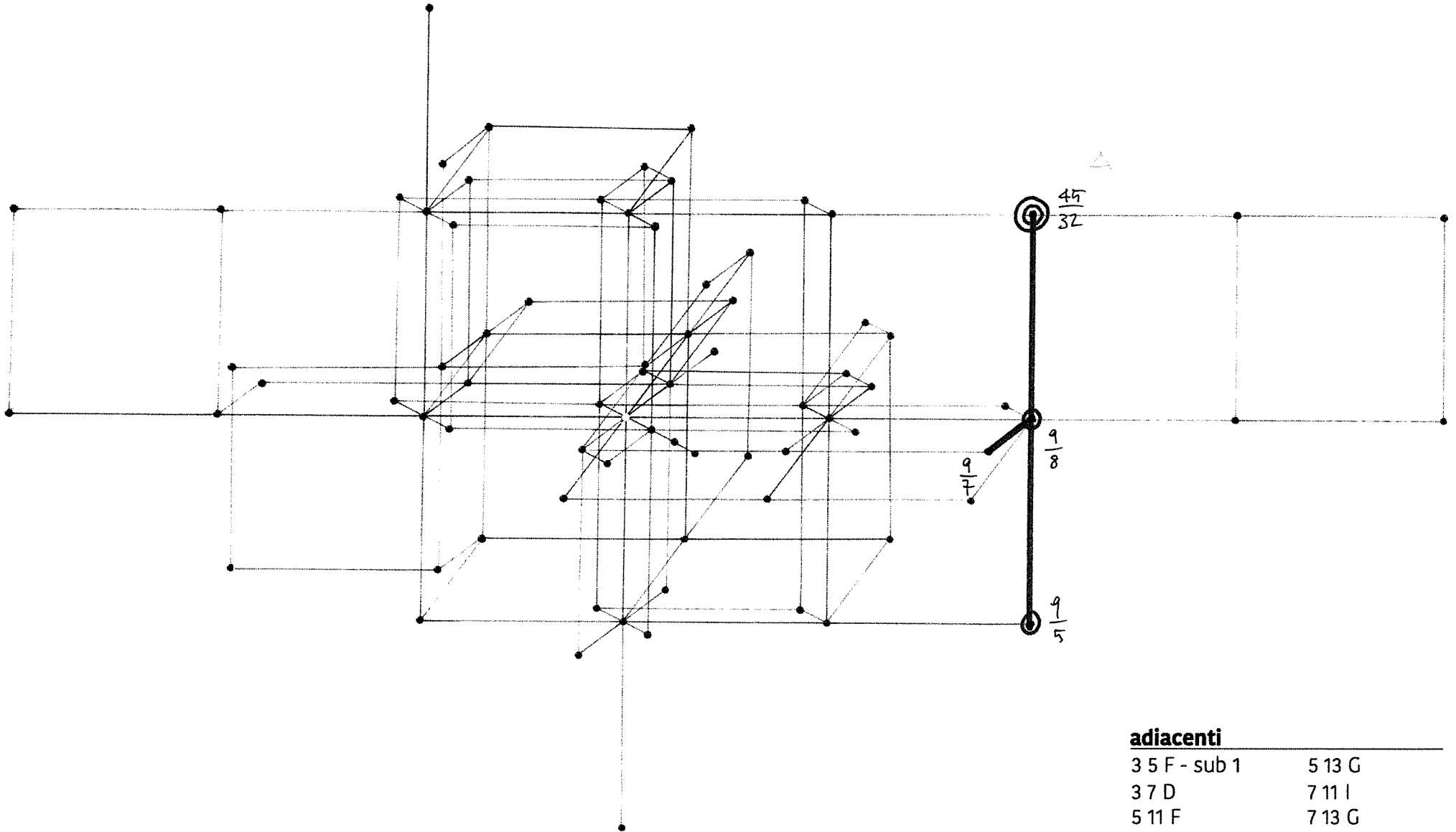
7 13 A

39/20    39/32    195/128    273/256  
 105.3    263.25    329.06    57.58



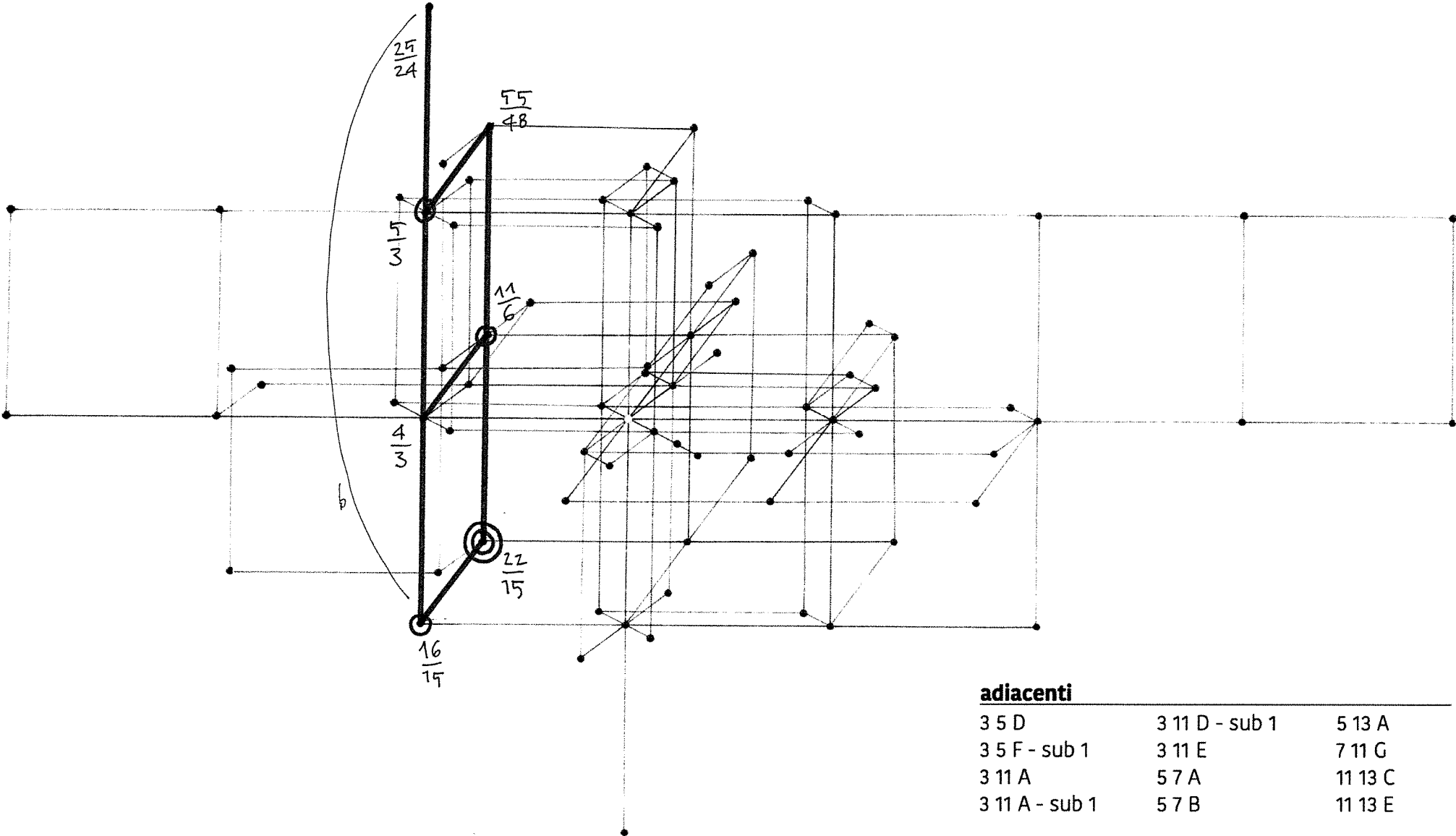
- adiacenti**
- 
- 3 5 E
  - 5 11 E
  - 5 13 D
  - 7 11 H
  - 7 13 C

<b>9/5</b>	<b>9/8</b>	<b>45/32</b>	<b>9/7</b>
194.4	243	75.93	277.71



<b>adiacenti</b>	
3 5 F - sub 1	5 13 G
3 7 D	7 11 I
5 11 F	7 13 G

<b>16/15</b>	<b>4/3</b>	<b>5/3</b>	<b>25/24</b>	<b>22/15</b>	<b>11/6</b>	<b>55/48</b>
115.2	576	360	112.5	79.2	396	247.5
				316.8		



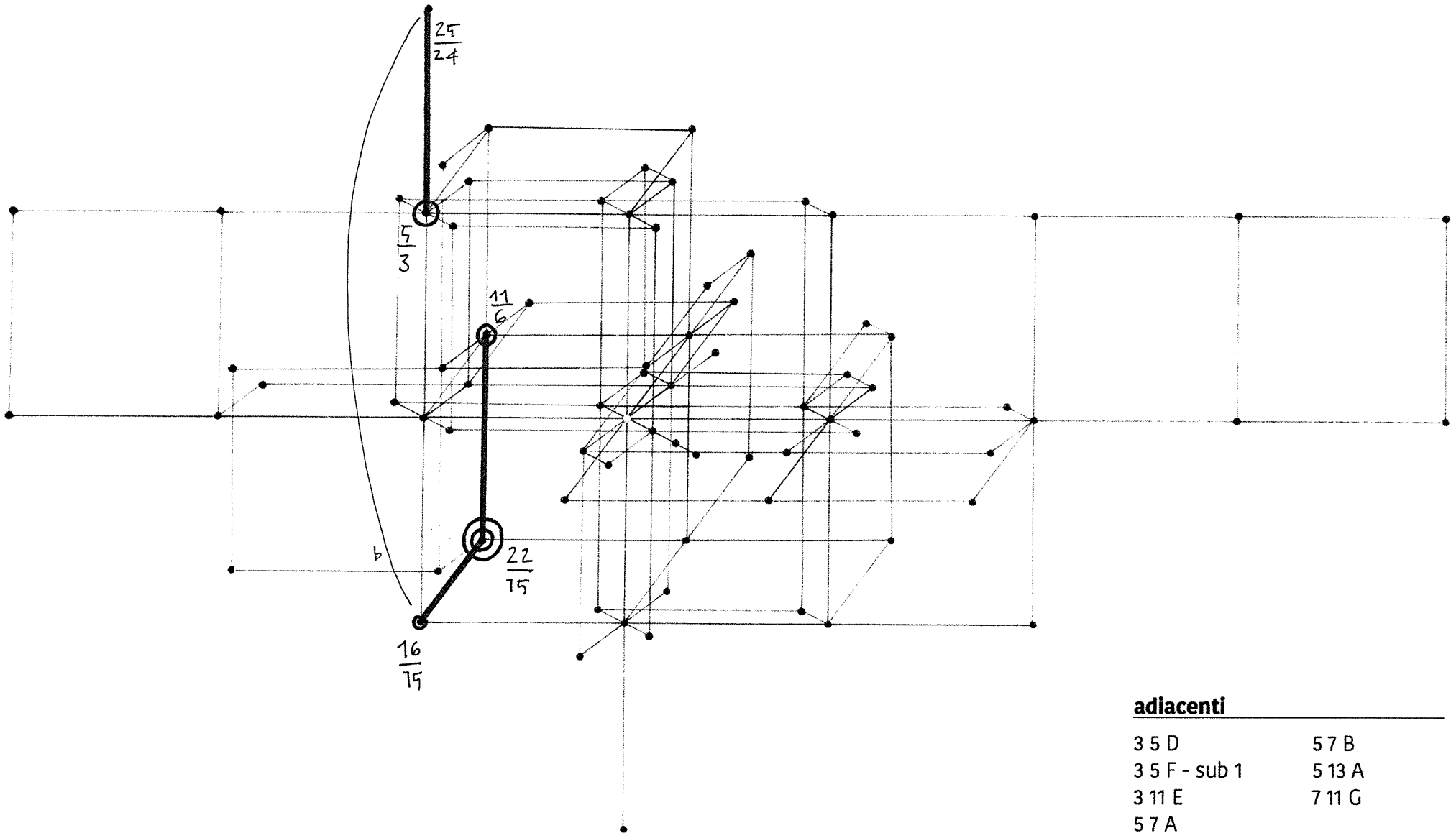
**adiacenti**

3 5 D	3 11 D - sub 1	5 13 A
3 5 F - sub 1	3 11 E	7 11 G
3 11 A	5 7 A	11 13 C
3 11 A - sub 1	5 7 B	11 13 E



# 5 11 A - subset 1

<b>16/15</b>	<b>5/3</b>	<b>25/24</b>	<b>22/15</b>	<b>11/6</b>
115.2	360	112.5	316.8	396
			79.2	

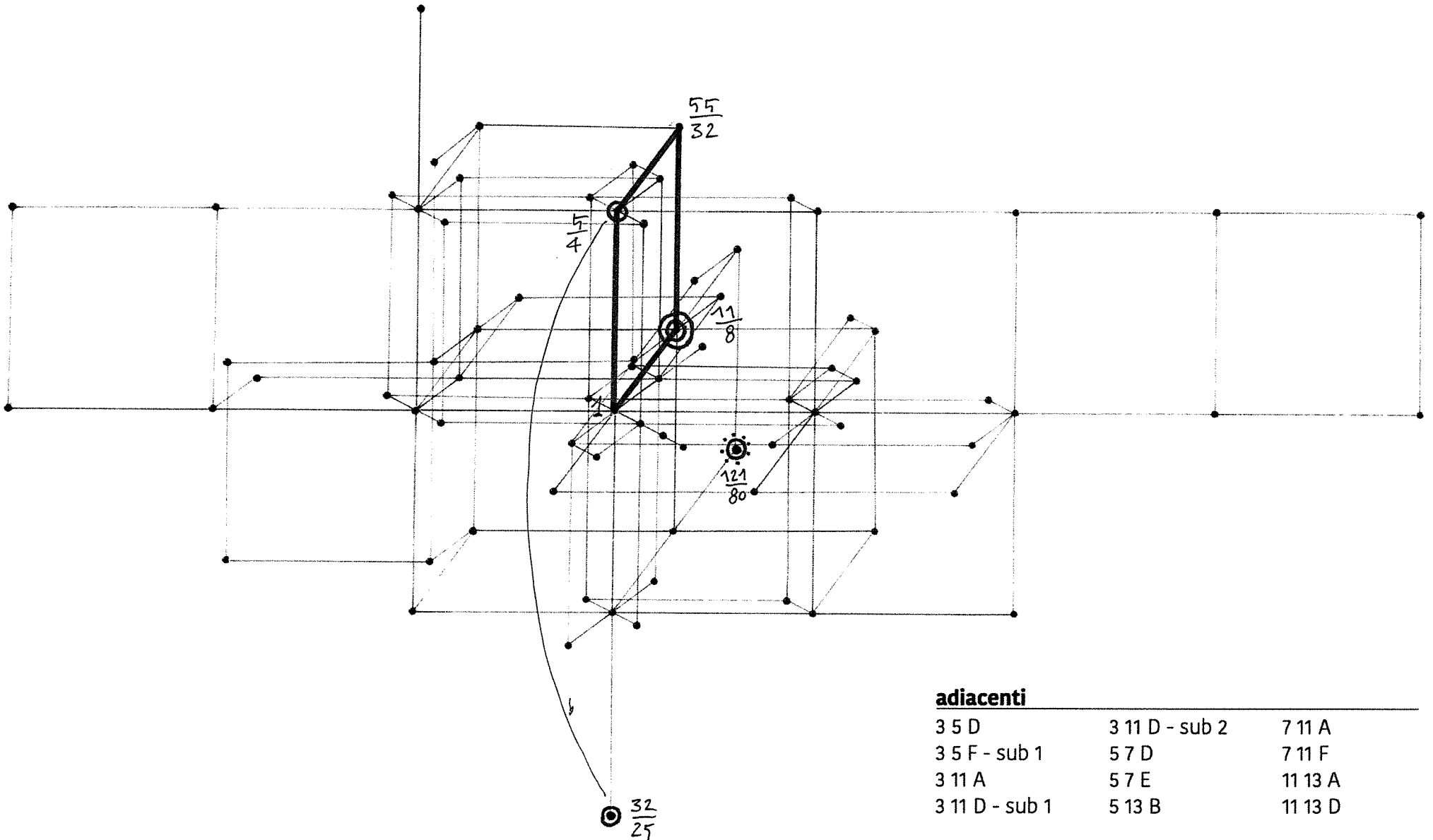


## adiacenti

3 5 D	5 7 B
3 5 F - sub 1	5 13 A
3 11 E	7 11 G
5 7 A	

# 5 11 B - subset 1

<b>5/4</b>	<b>55/32</b>	<b>1/1</b>	<b>11/8</b>	<b>121/80</b>	<b>32/25</b>
270	185.62	216	148.5 74.25	326.7	276.48

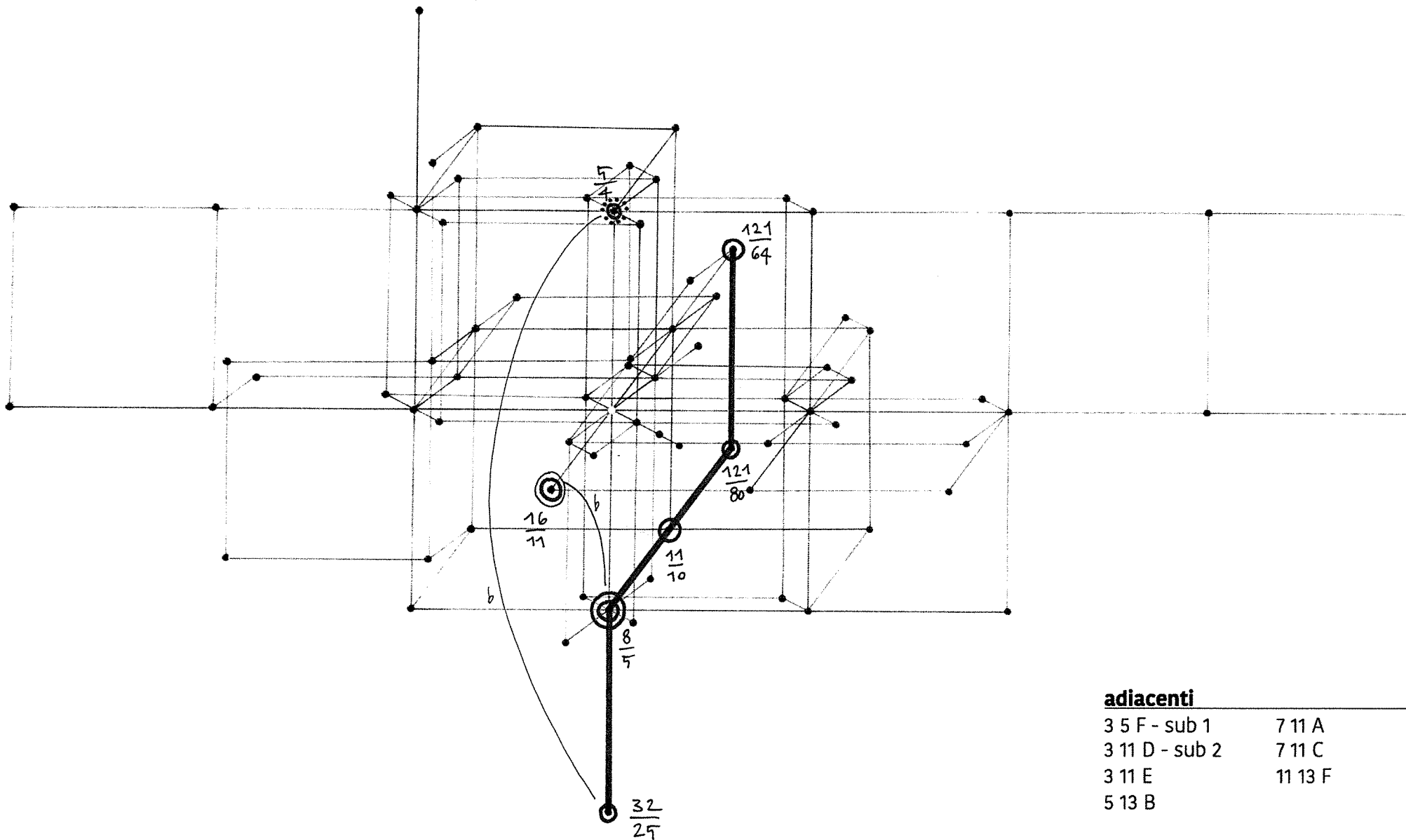


## adiacenti

3 5 D	3 11 D - sub 2	7 11 A
3 5 F - sub 1	5 7 D	7 11 F
3 11 A	5 7 E	11 13 A
3 11 D - sub 1	5 13 B	11 13 D

# 5 11 B - subset 2

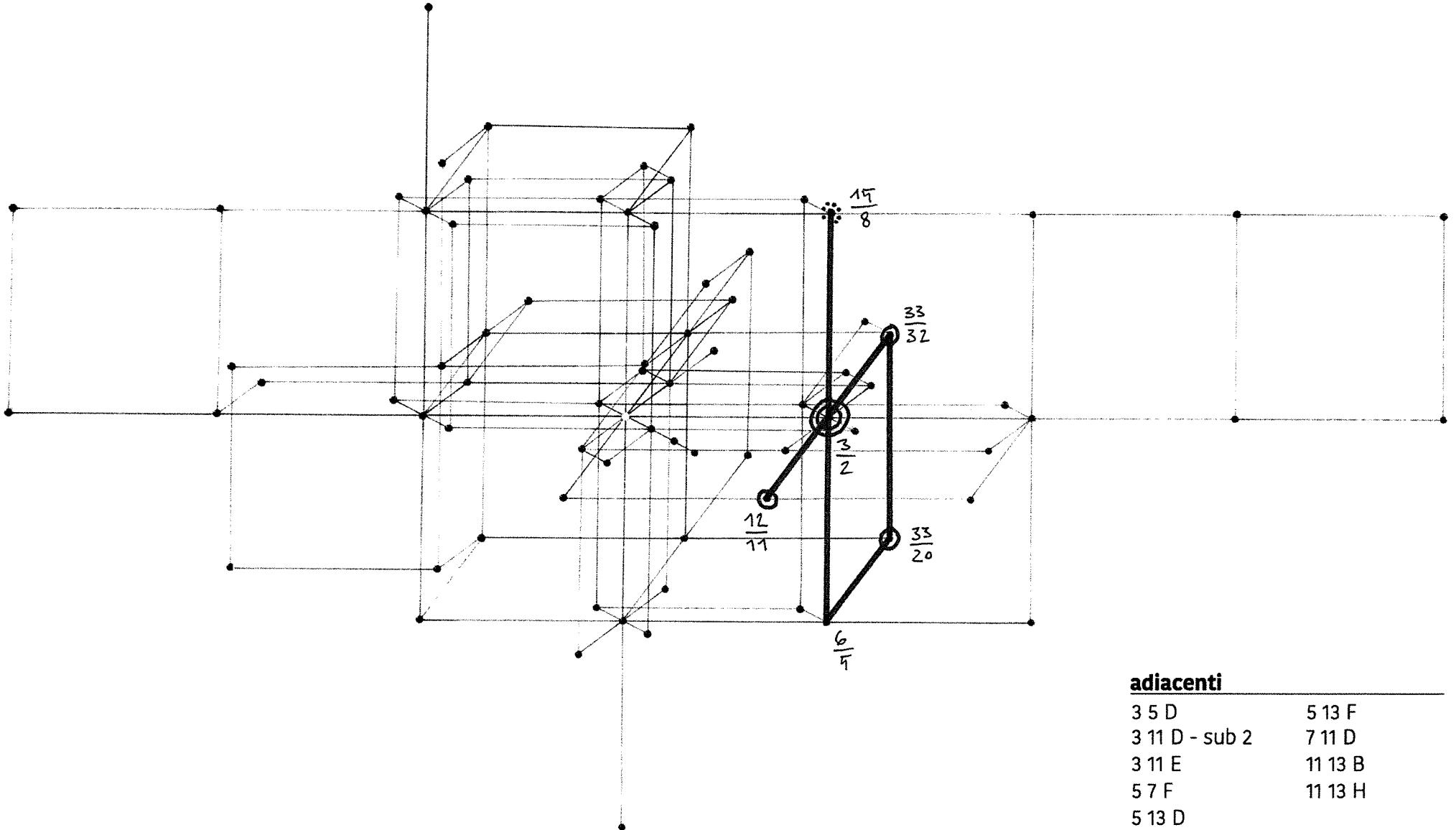
<b>5/4</b>	<b>16/11</b>	<b>121/64</b>	<b>8/5</b>	<b>11/10</b>	<b>121/80</b>	<b>32/25</b>
540	78.54	408.37	43.2	237.6	326.7	552.96
				118.8		



## adiacenti

3 5 F - sub 1	7 11 A
3 11 D - sub 2	7 11 C
3 11 E	11 13 F
5 13 B	

<b>15/8</b>	<b>12/11</b>	<b>3/2</b>	<b>33/32</b>	<b>6/5</b>	<b>33/20</b>
405	235.63	81	222.75	259.2	178.2

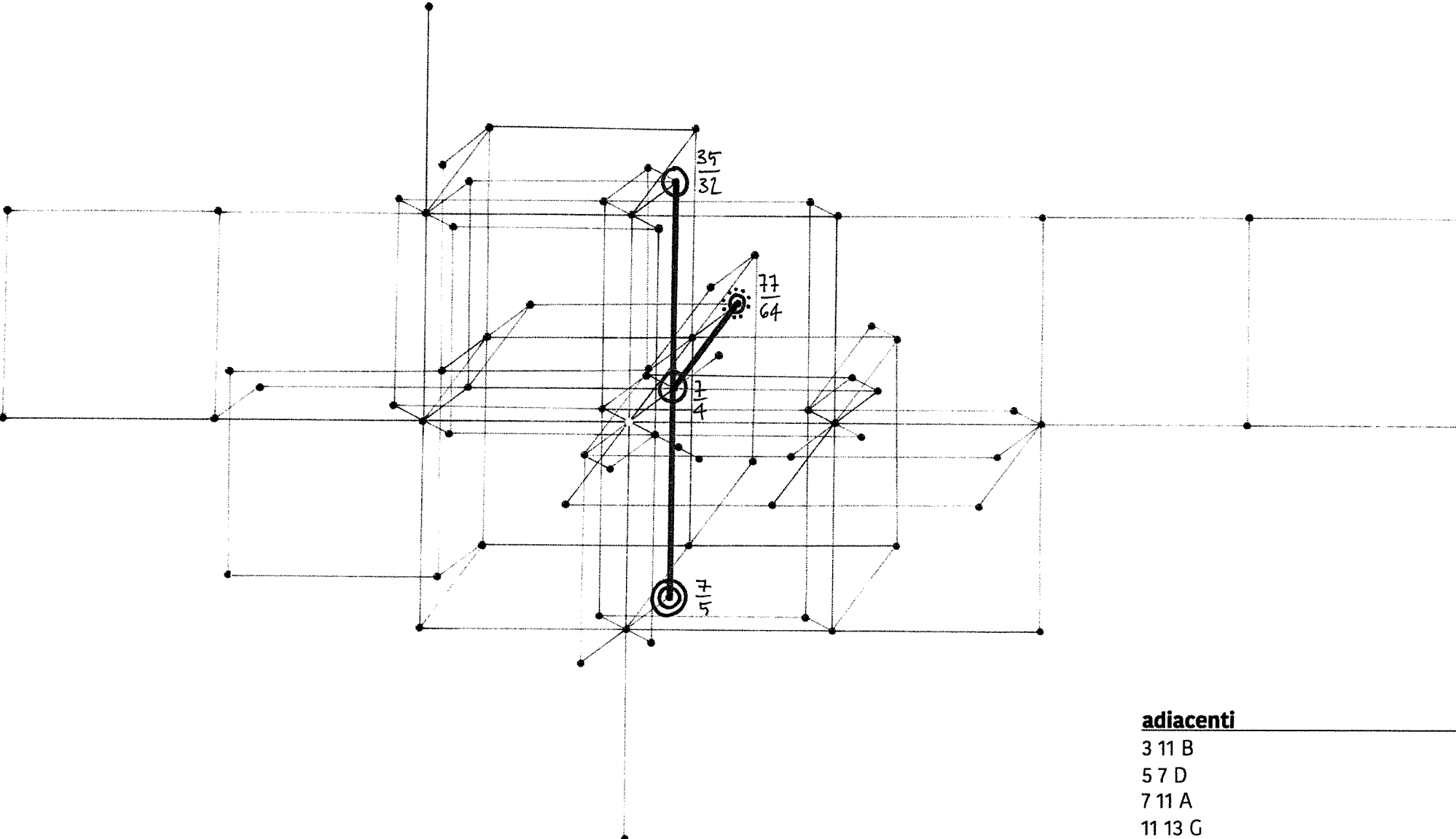


**adiacenti**

---

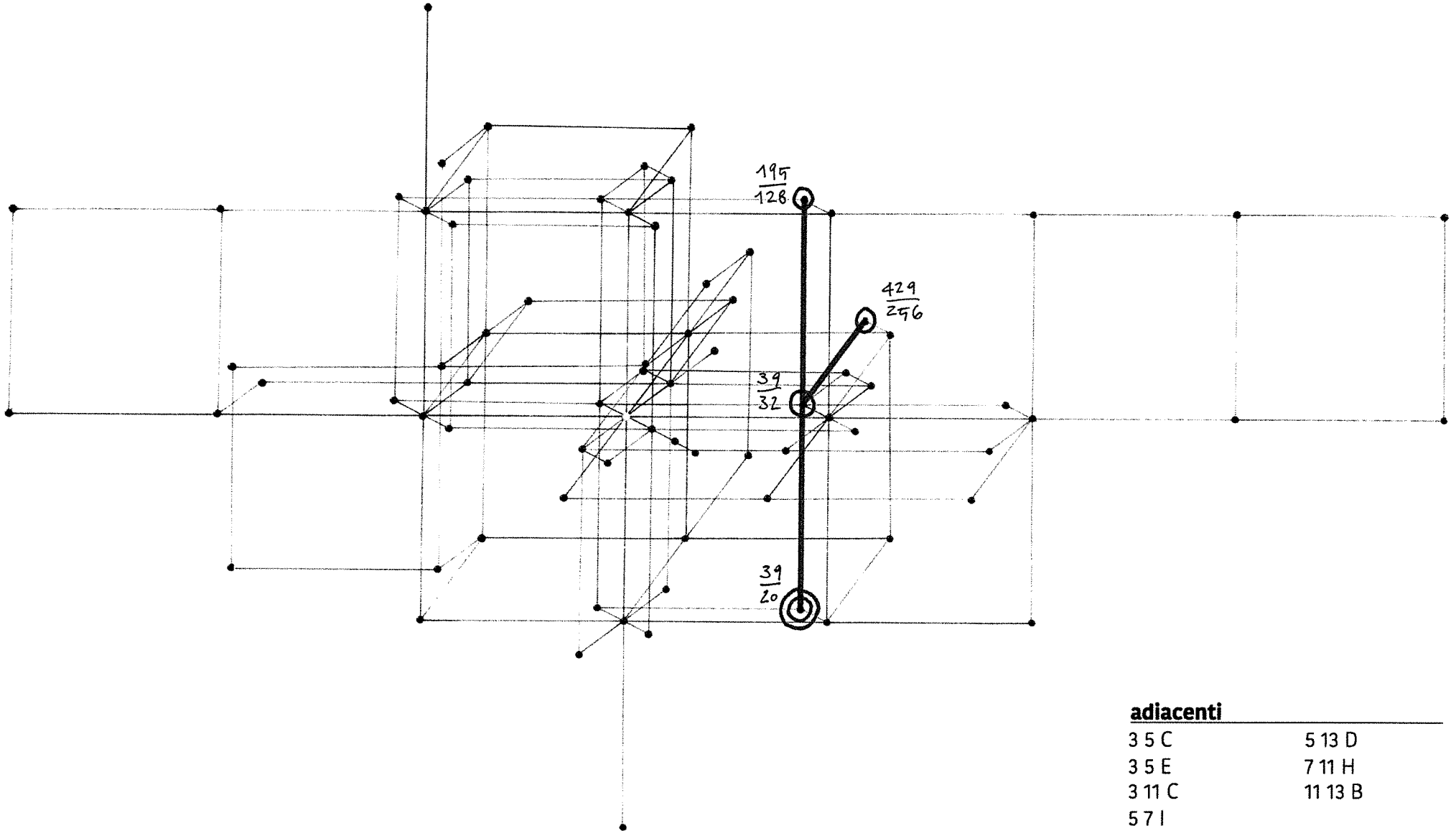
3 5 D	5 13 F
3 11 D - sub 2	7 11 D
3 11 E	11 13 B
5 7 F	11 13 H
5 13 D	

<b>7/5</b>	<b>7/4</b>	<b>35/32</b>	<b>77/64</b>
302.4	378	472.5	519.75
75.6	189	118.12	



- adiacenti**
- 
- 3 11 B
  - 5 7 D
  - 7 11 A
  - 11 13 G

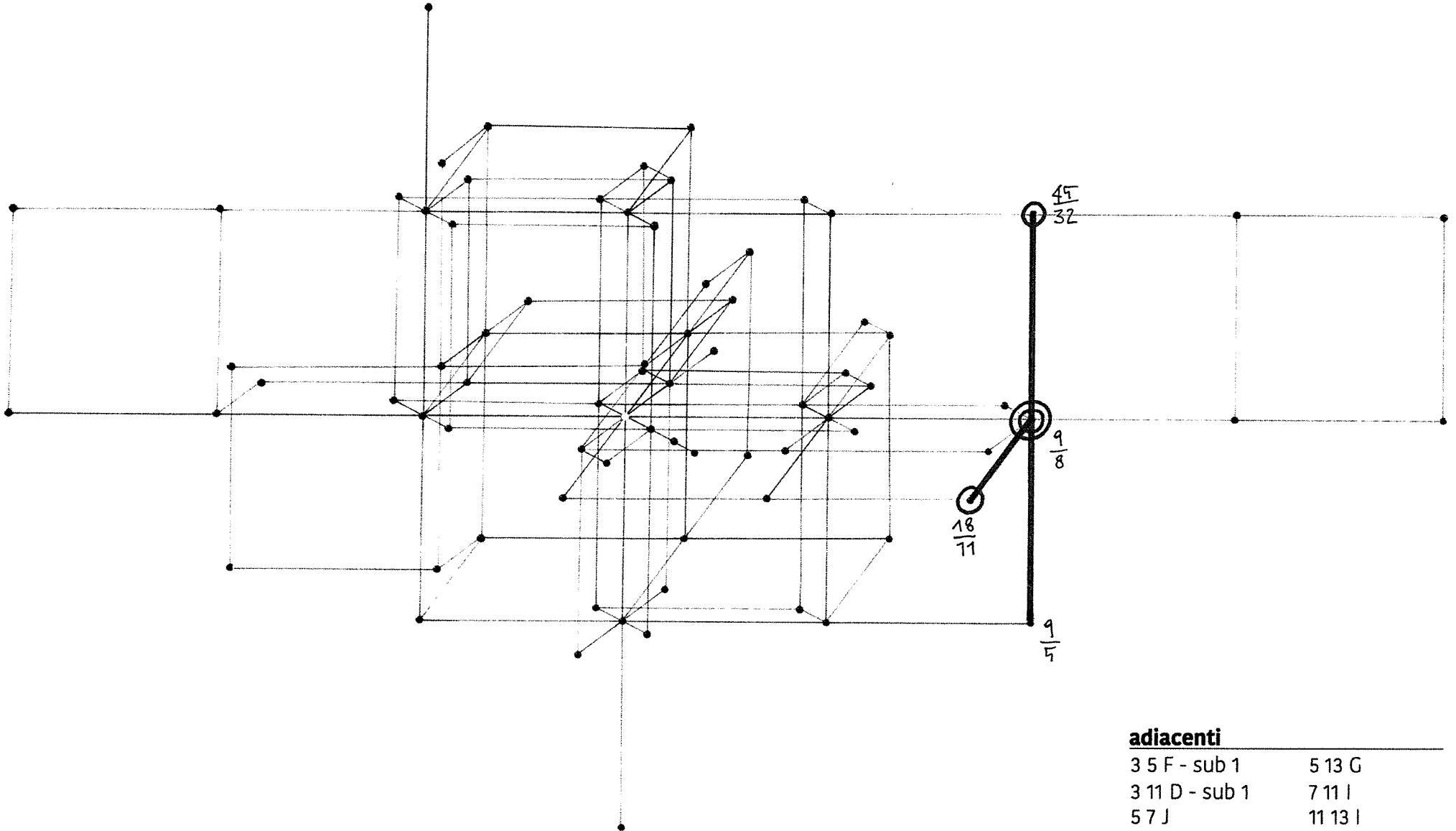
<b>39/20</b>	<b>39/32</b>	<b>195/128</b>	<b>429/256</b>
210.6	263.25	329.06	361.96
105.3	131.62	164.53	180.98



**adiacenti**

3 5 C	5 13 D
3 5 E	7 11 H
3 11 C	11 13 B
5 7 I	

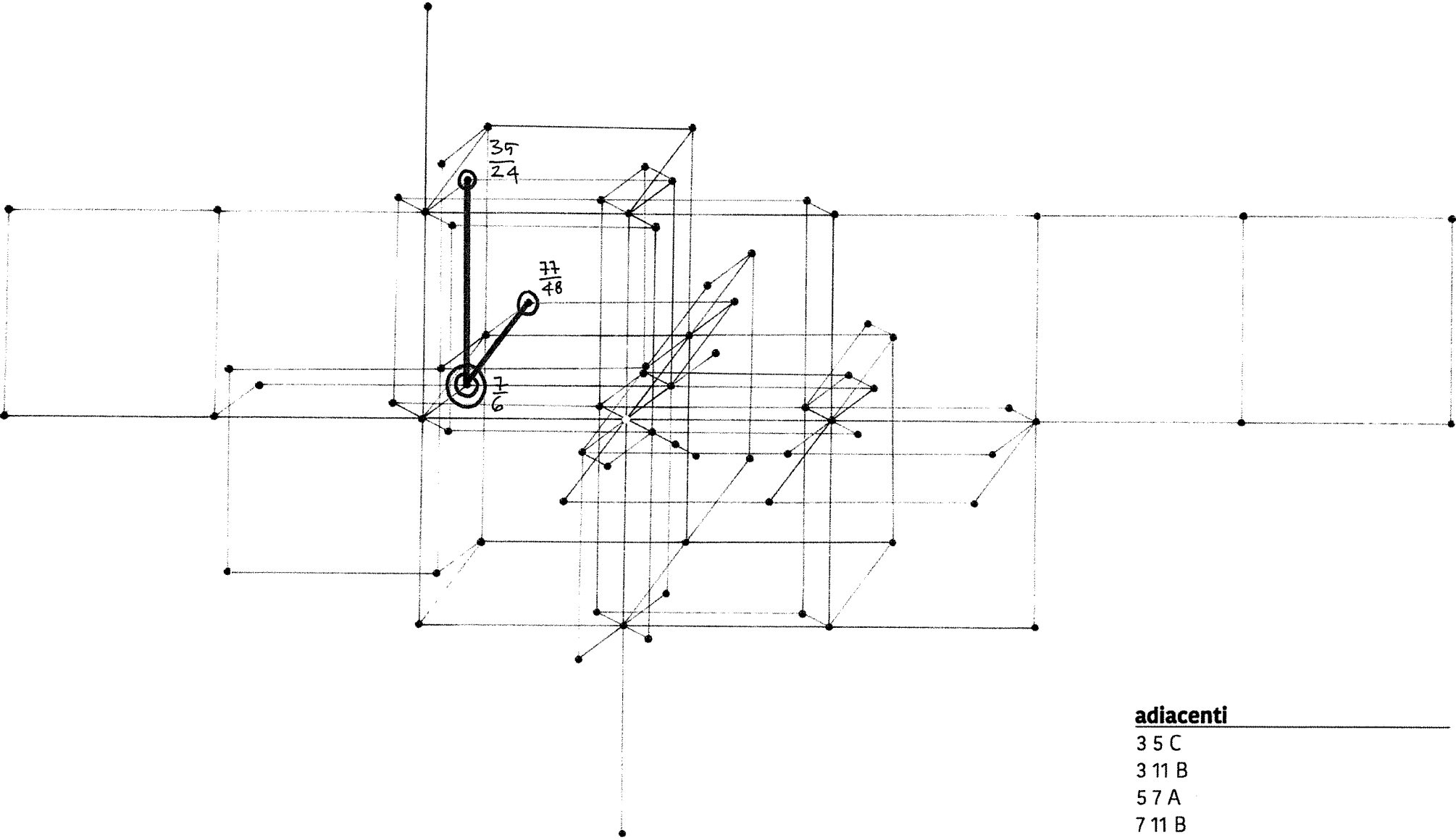
<b>9/5</b>	<b>9/8</b>	<b>45/32</b>	<b>18/11</b>
388.8	486	303.75	353.45
	121.5	151.87	88.36



**adiacenti**

3 5 F - sub 1	5 13 G
3 11 D - sub 1	7 11 I
5 7 J	11 13 I

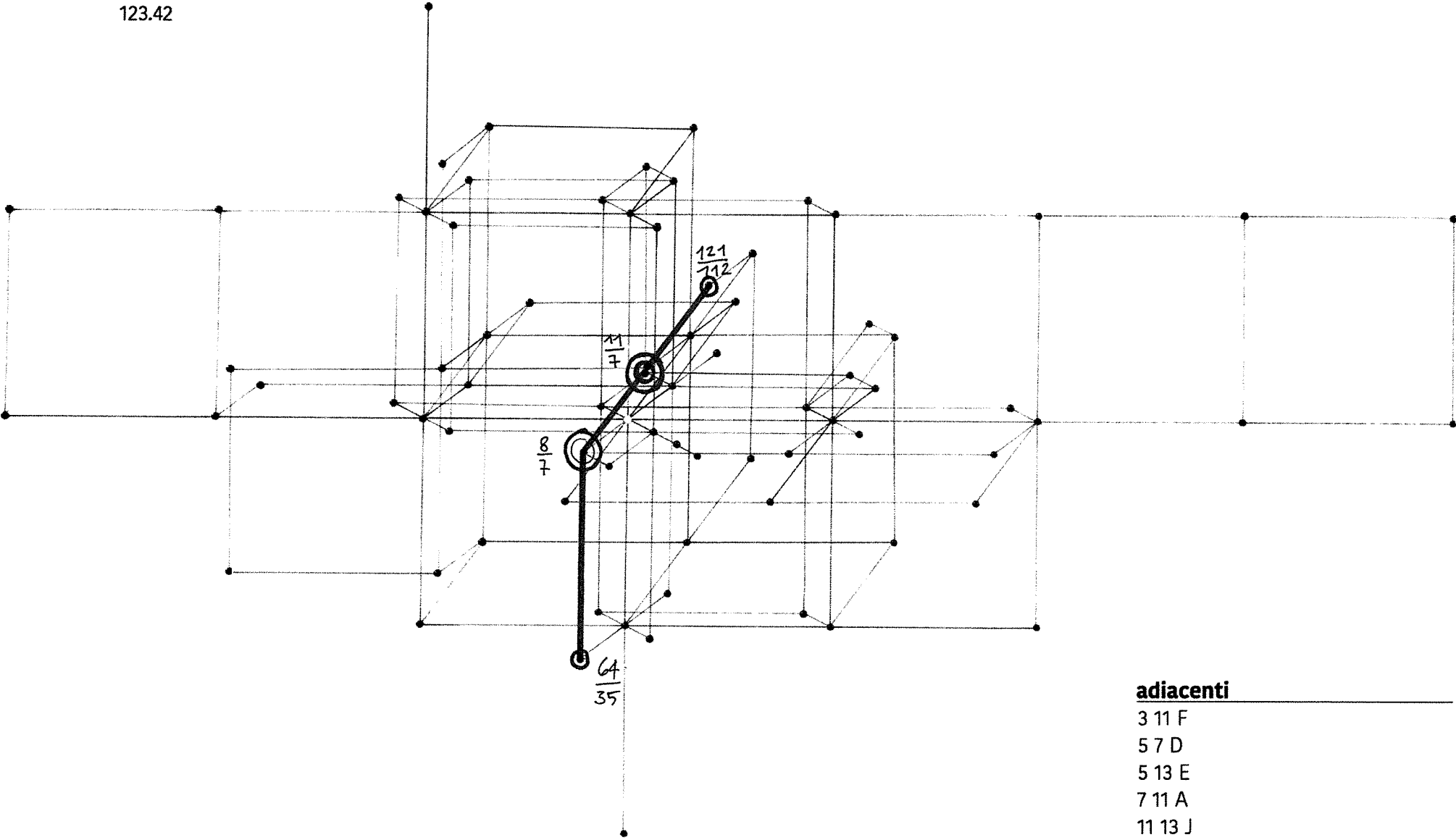
**7/6**      **35/24**      **77/48**  
252      315      346.5  
126      157.5



**adiacenti**  
3 5 C  
3 11 B  
5 7 A  
7 11 B



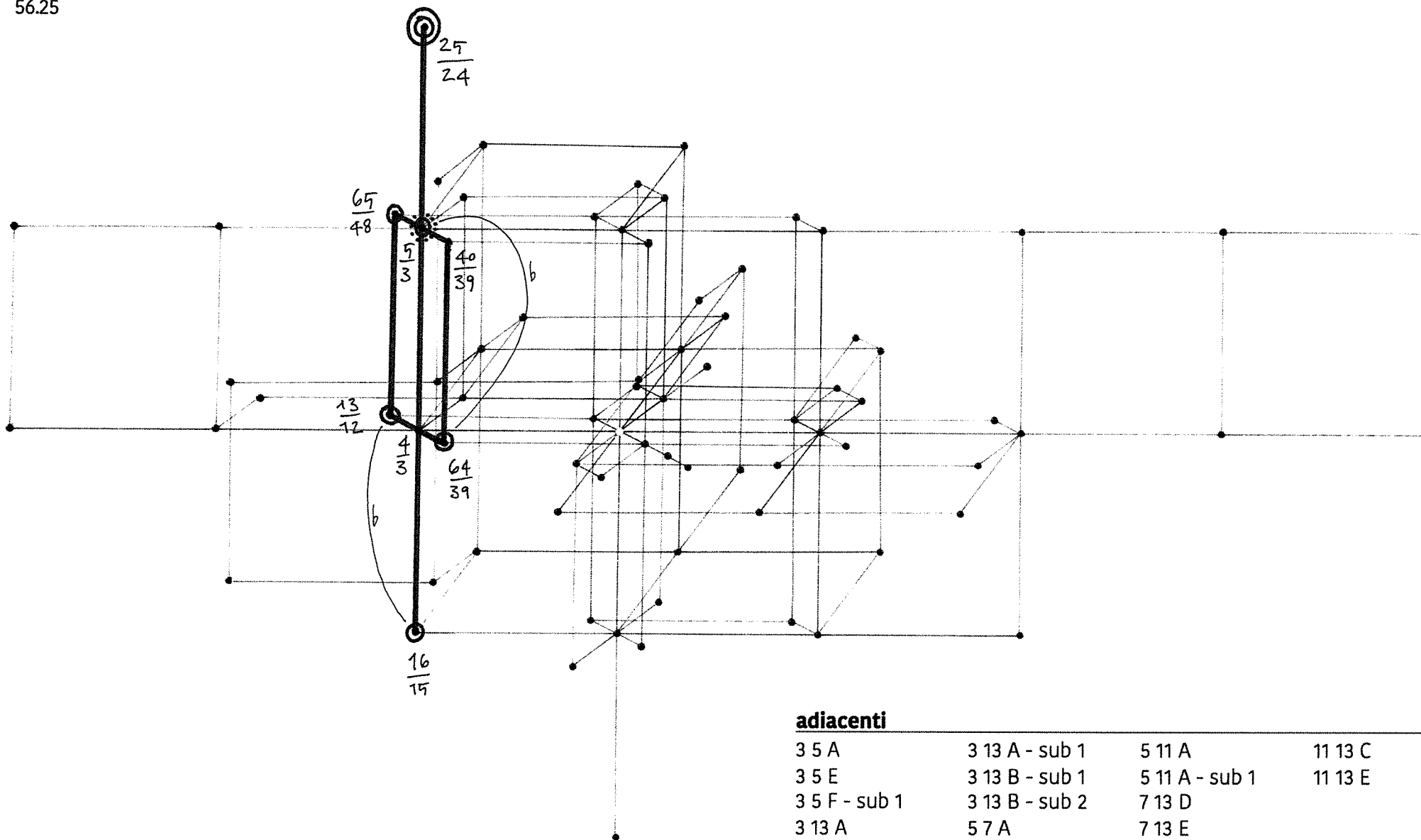
<b>64/35</b>	<b>8/7</b>	<b>11/7</b>	<b>121/112</b>
394.97	493.71	169.71	466.71
	246.85	42.42	
	123.42		



- adiacenti**
- 
- 3 11 F
  - 5 7 D
  - 5 13 E
  - 7 11 A
  - 11 13 J

# 5 13 A

<b>25/24</b>	<b>65/48</b>	<b>5/3</b>	<b>40/39</b>	<b>13/12</b>	<b>4/3</b>	<b>64/39</b>	<b>16/15</b>
225	292.5	720	110.76	468	288	708.92	230.4
56.25							

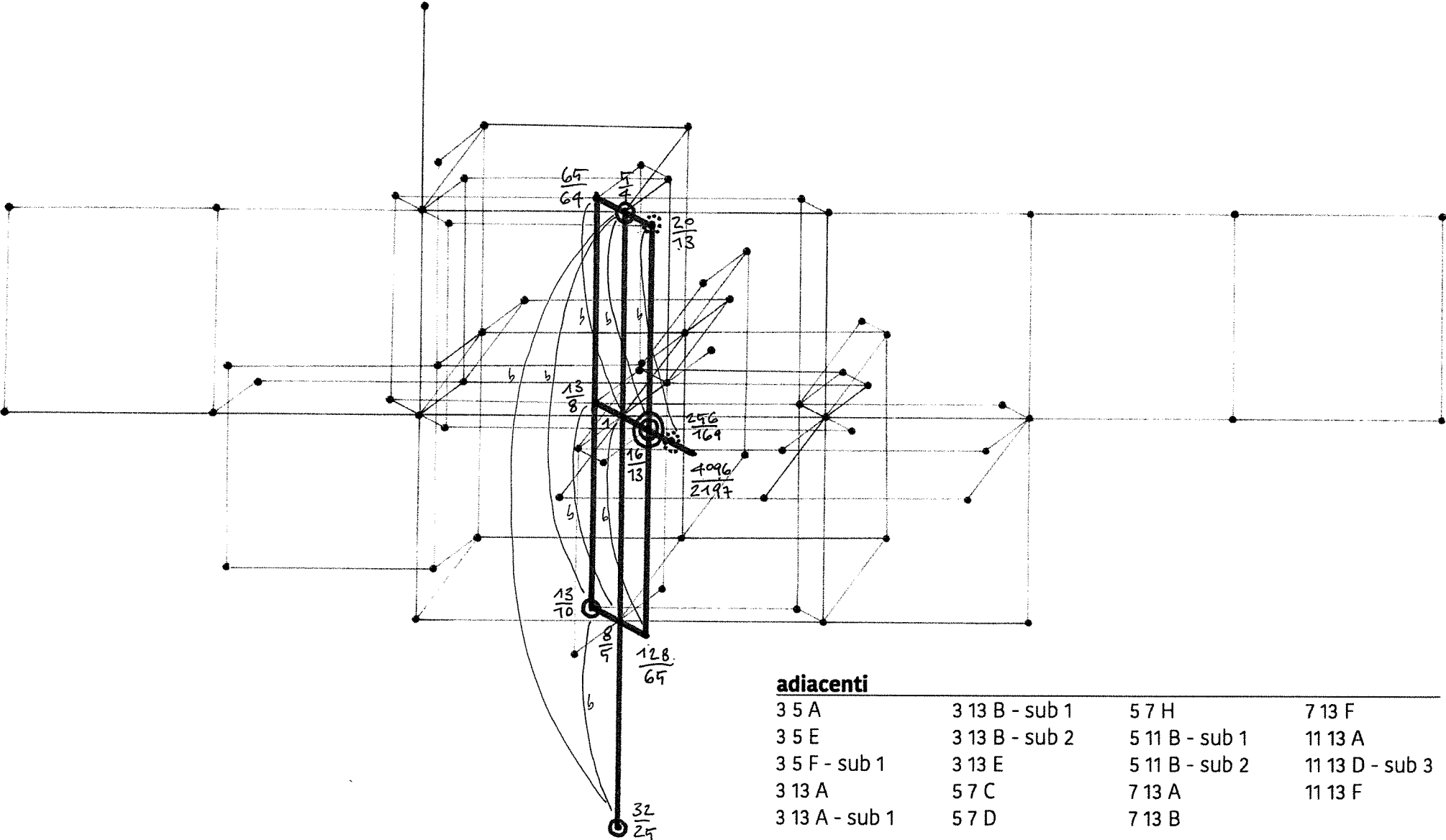


## adiacenti

3 5 A	3 13 A - sub 1	5 11 A	11 13 C
3 5 E	3 13 B - sub 1	5 11 A - sub 1	11 13 E
3 5 F - sub 1	3 13 B - sub 2	7 13 D	
3 13 A	5 7 A	7 13 E	

# 5 13 B

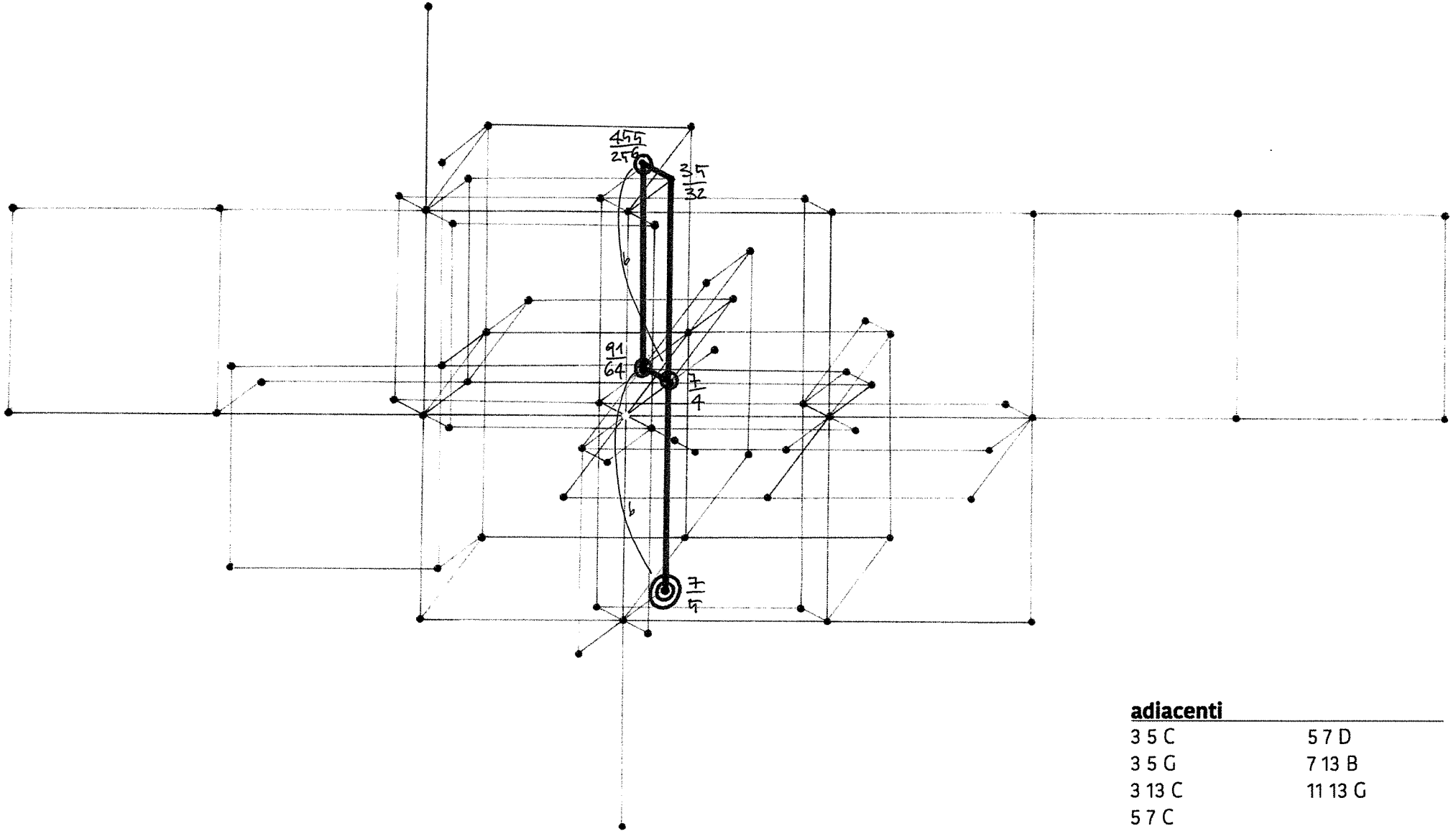
<b>65/64</b>	<b>5/4</b>	<b>20/13</b>	<b>13/8</b>	<b>1/1</b>	<b>16/13</b>	<b>256/169</b>	<b>4096/2197</b>	<b>13/10</b>	<b>8/5</b>	<b>128/65</b>	<b>32/25</b>
219.37	135	664.61	351	216	66.46	654.39	201.35	280.8	345.6	425.35	138.24



**adiacenti**

3 5 A	3 13 B - sub 1	5 7 H	7 13 F
3 5 E	3 13 B - sub 2	5 11 B - sub 1	11 13 A
3 5 F - sub 1	3 13 E	5 11 B - sub 2	11 13 D - sub 3
3 13 A	5 7 C	7 13 A	11 13 F
3 13 A - sub 1	5 7 D	7 13 B	

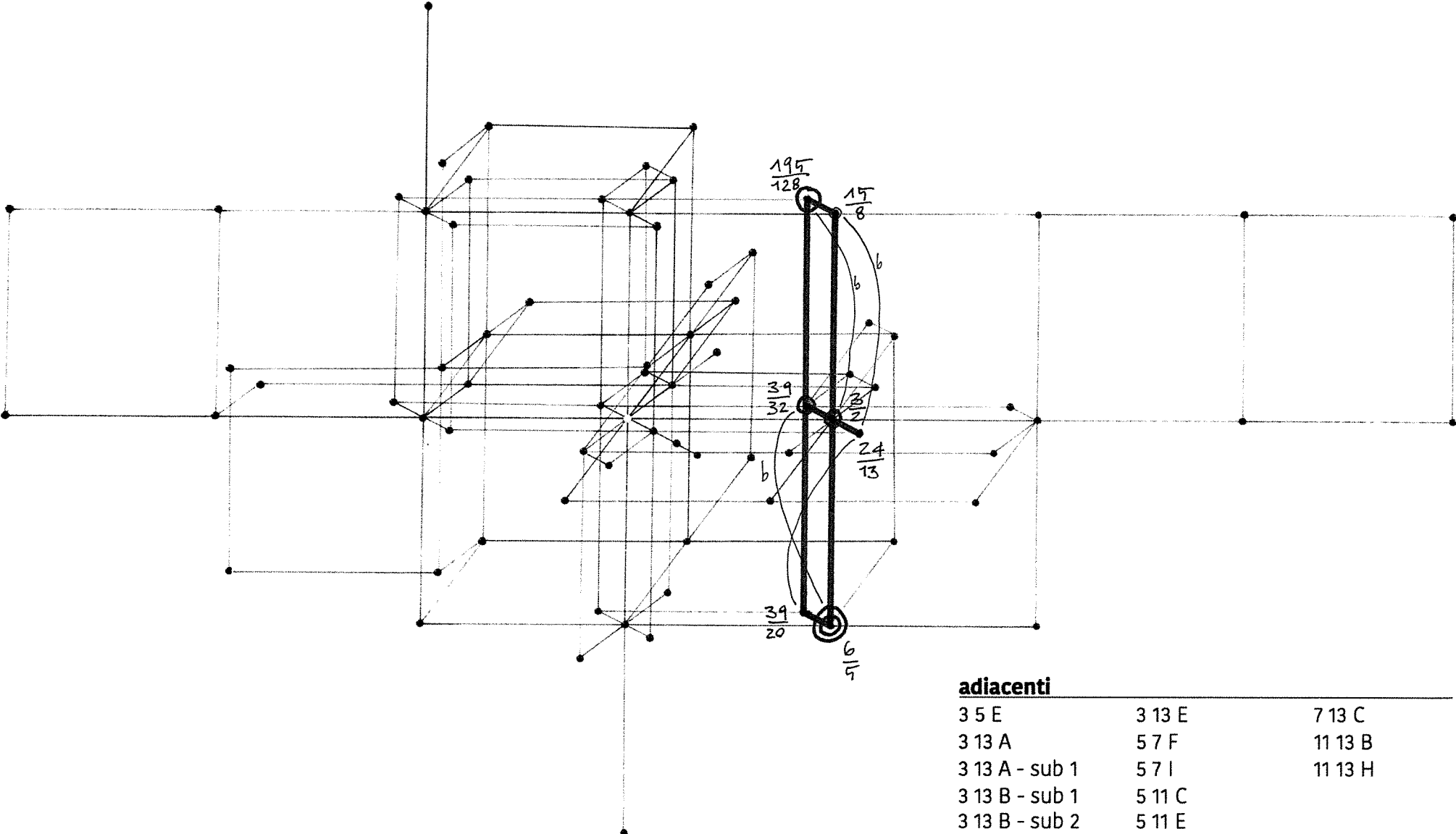
<b>455/256</b>	<b>35/32</b>	<b>91/64</b>	<b>7/4</b>	<b>7/5</b>
383.9	472.5	153.56	378	75.6
191.95			189	



<b>adiacenti</b>	
3 5 C	5 7 D
3 5 G	7 13 B
3 13 C	11 13 G
5 7 C	

# 5 13 D

<b>195/128</b>	<b>15/8</b>	<b>39/32</b>	<b>3/2</b>	<b>24/13</b>	<b>39/20</b>	<b>6/5</b>
329.06	405	131.62	162	398.76	421.2	64.8
164.53						

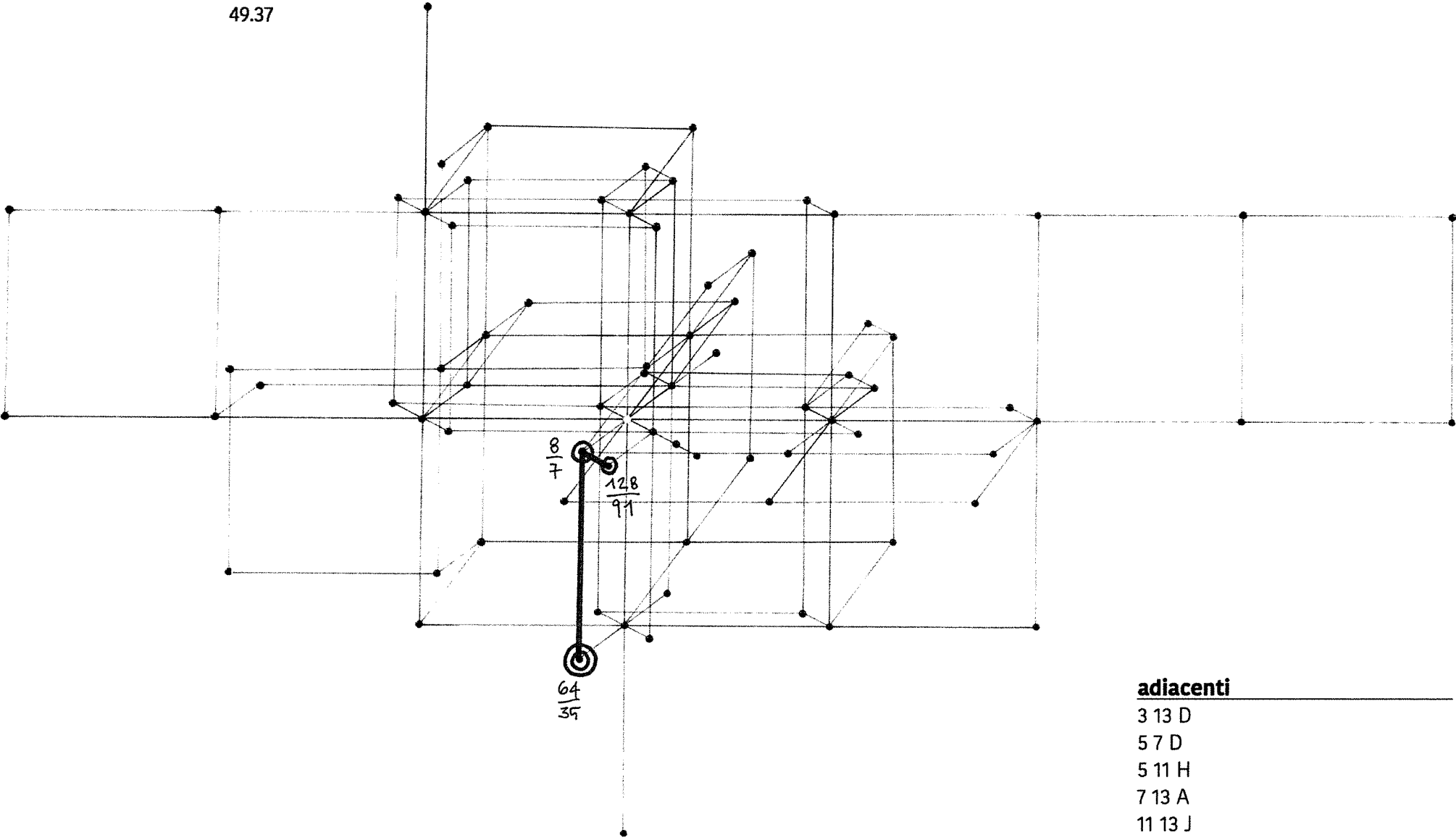


**adiacenti**

---

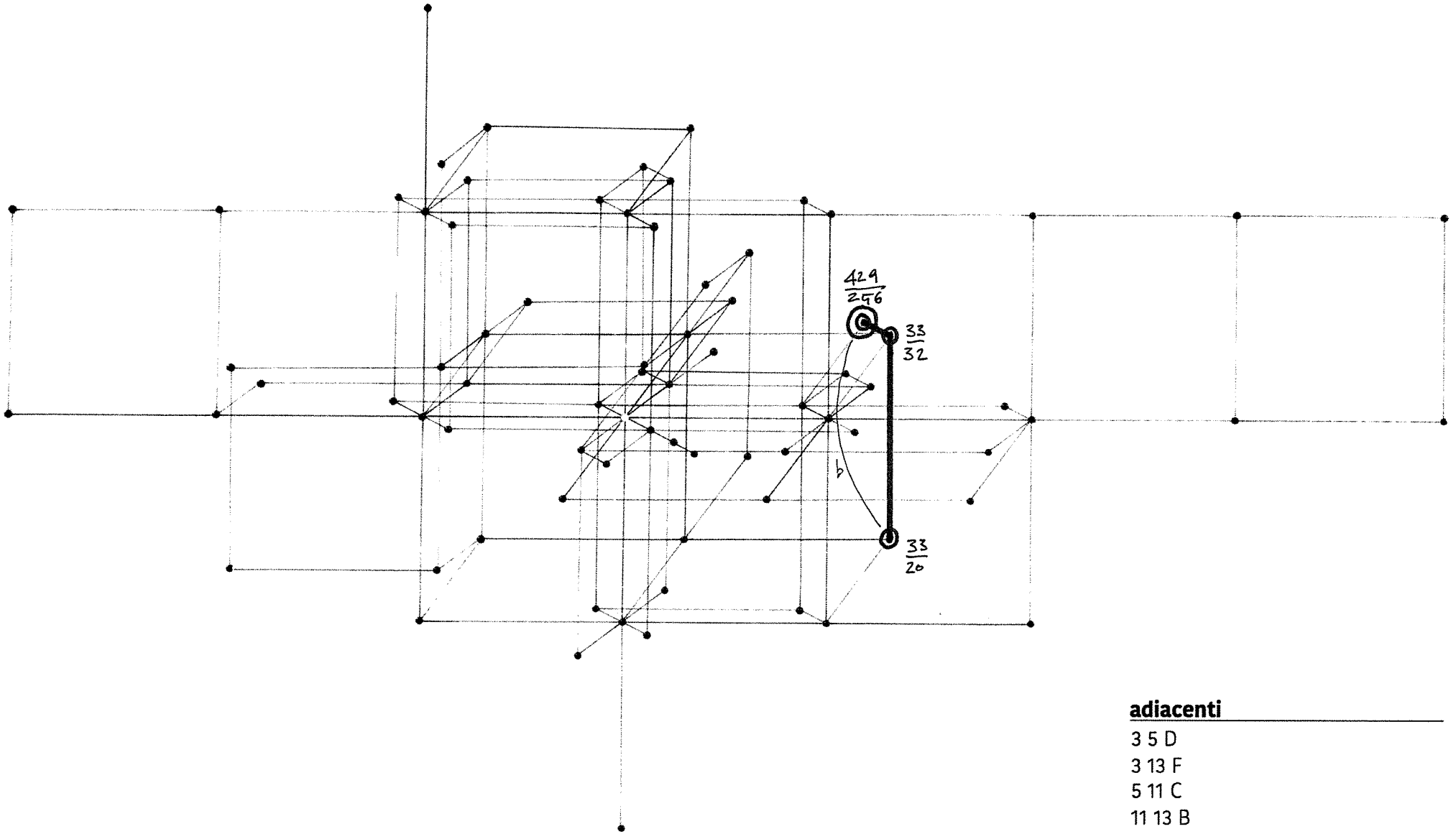
3 5 E	3 13 E	7 13 C
3 13 A	5 7 F	11 13 B
3 13 A - sub 1	5 7 I	11 13 H
3 13 B - sub 1	5 11 C	
3 13 B - sub 2	5 11 E	

<b>8/7</b>	<b>128/91</b>	<b>64/35</b>
493.71	607.64	394.97
246.85	303.82	98.74
		49.37



- adiacenti**
- 
- 3 13 D
  - 5 7 D
  - 5 11 H
  - 7 13 A
  - 11 13 J

<b>429/256</b>	<b>33/32</b>	<b>33/20</b>
361.96	445.5	356.4
90.49	222.75	178.2

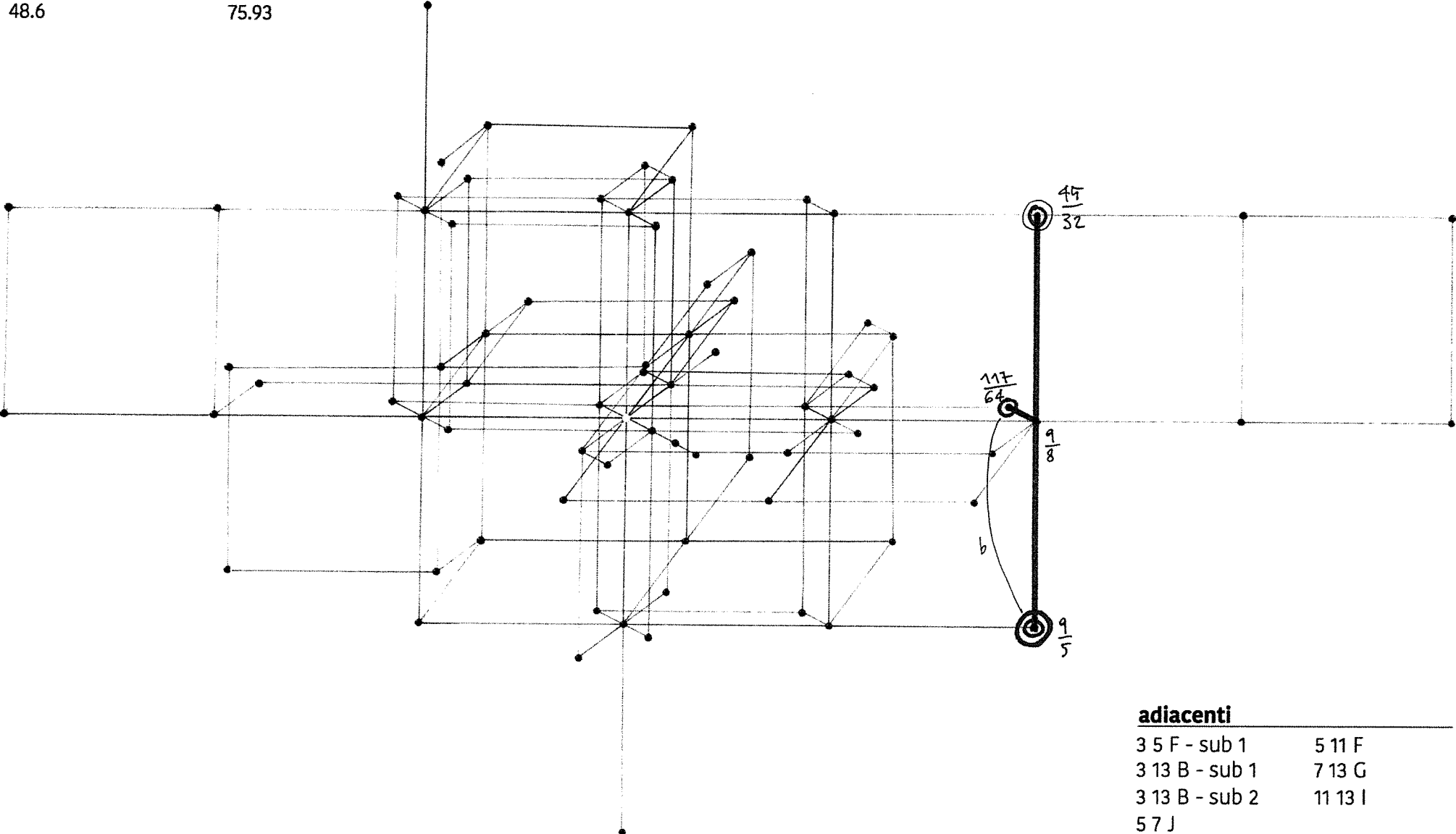


**adiacenti**

---

- 3 5 D
- 3 13 F
- 5 11 C
- 11 13 B

<b>9/5</b>	<b>9/8</b>	<b>45/32</b>	<b>117/64</b>
388.8	243	303.75	394.87
194.4		151.87	197.43
48.6		75.93	



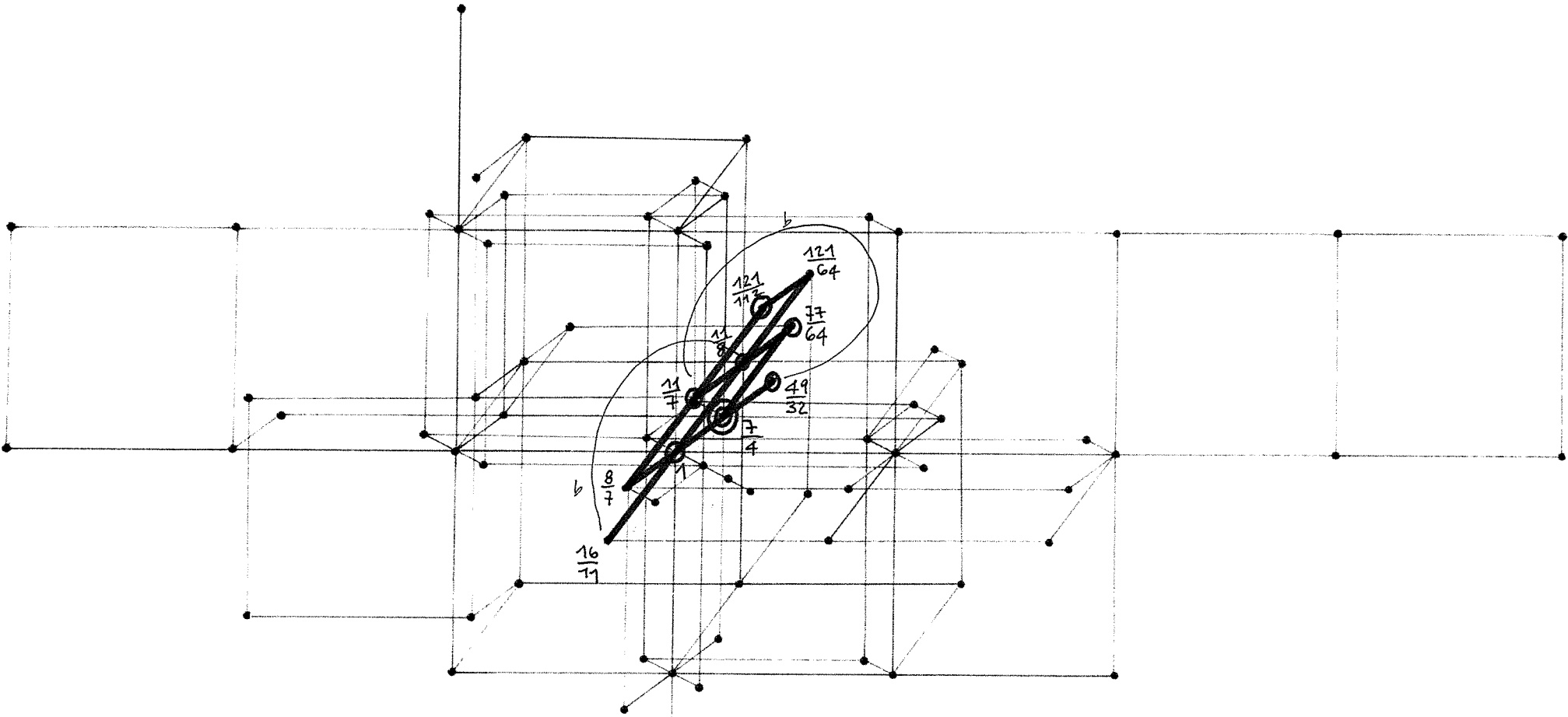
**adiacenti**

---

3 5 F - sub 1	5 11 F
3 13 B - sub 1	7 13 G
3 13 B - sub 2	11 13 I
5 7 J	



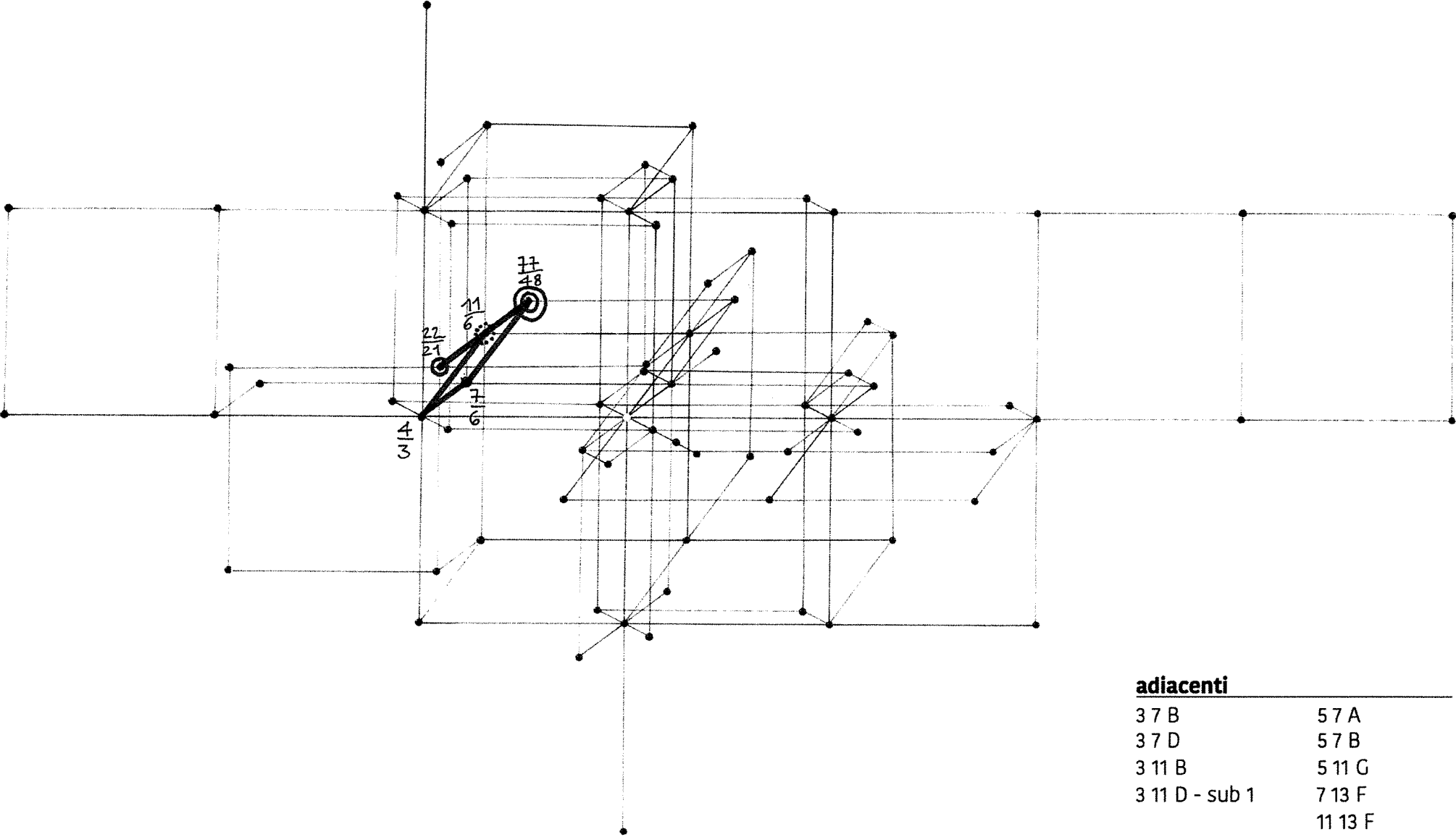
<b>8/7</b>	<b>1/1</b>	<b>7/4</b>	<b>49/32</b>	<b>11/7</b>	<b>11/8</b>	<b>77/64</b>	<b>121/112</b>	<b>121/64</b>	<b>16/11</b>
246.85	216	94.5	330.75	339.42	594	519.75	466.71	408.37	628.36



**adiacenti**

3 7 B	3 11 D - sub 2	5 11 B - sub 1	7 13 A
3 7 D	3 11 F	5 11 B - sub 2	11 13 A
3 11 B	5 7 D	5 11 D	11 13 G
3 11 D - sub 1	5 7 E	5 11 H	11 13 J

**4/3**      **7/6**      **22/21**      **11/6**      **77/48**  
288      252      113.14      396      86.62

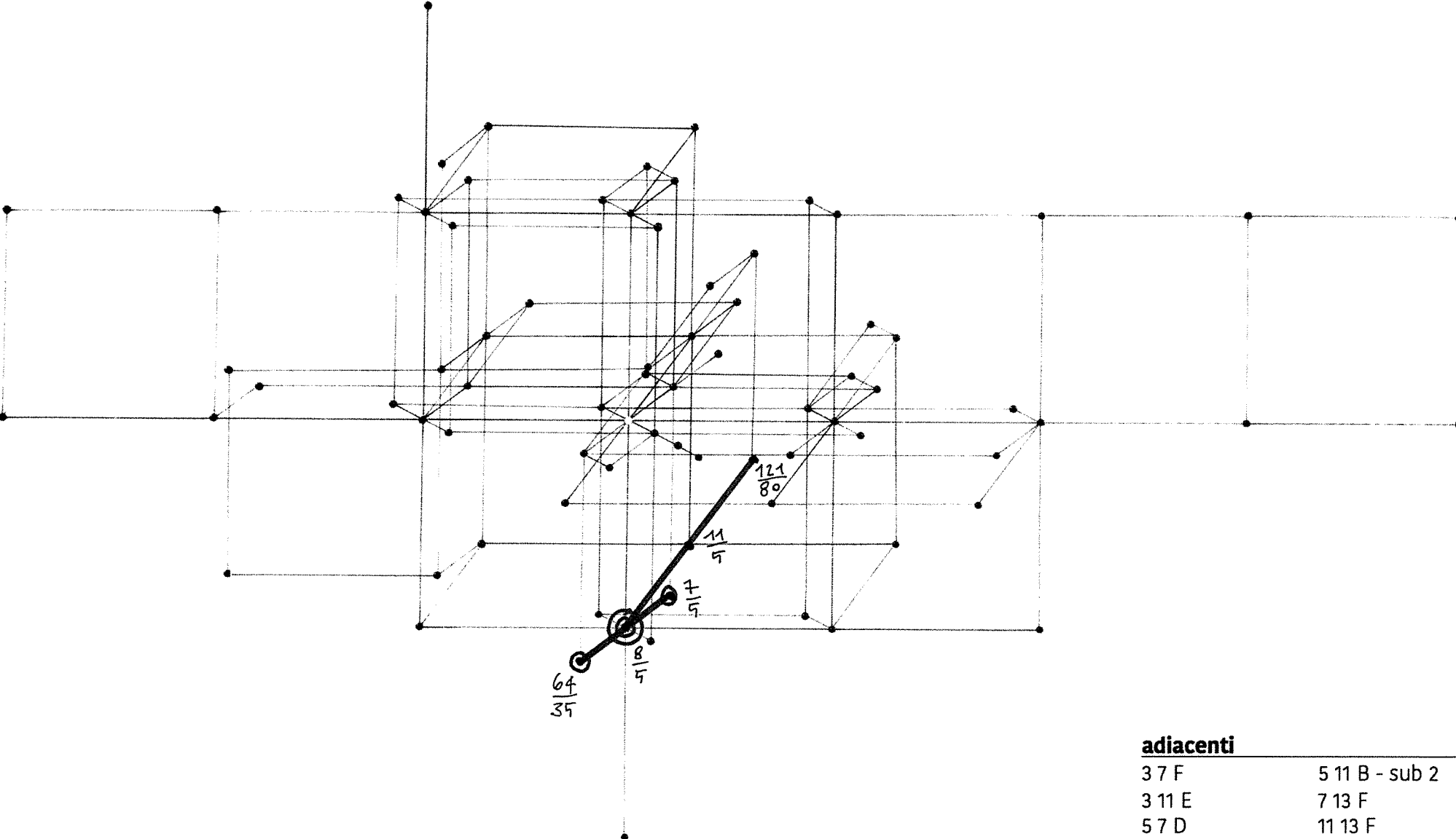


**adiacenti**

---

37 B	57 A
37 D	57 B
3 11 B	5 11 G
3 11 D - sub 1	7 13 F
	11 13 F

<b>8/5</b>	<b>11/5</b>	<b>121/80</b>	<b>64/35</b>	<b>7/5</b>
86.4	237.6	326.7	197.48	302.4

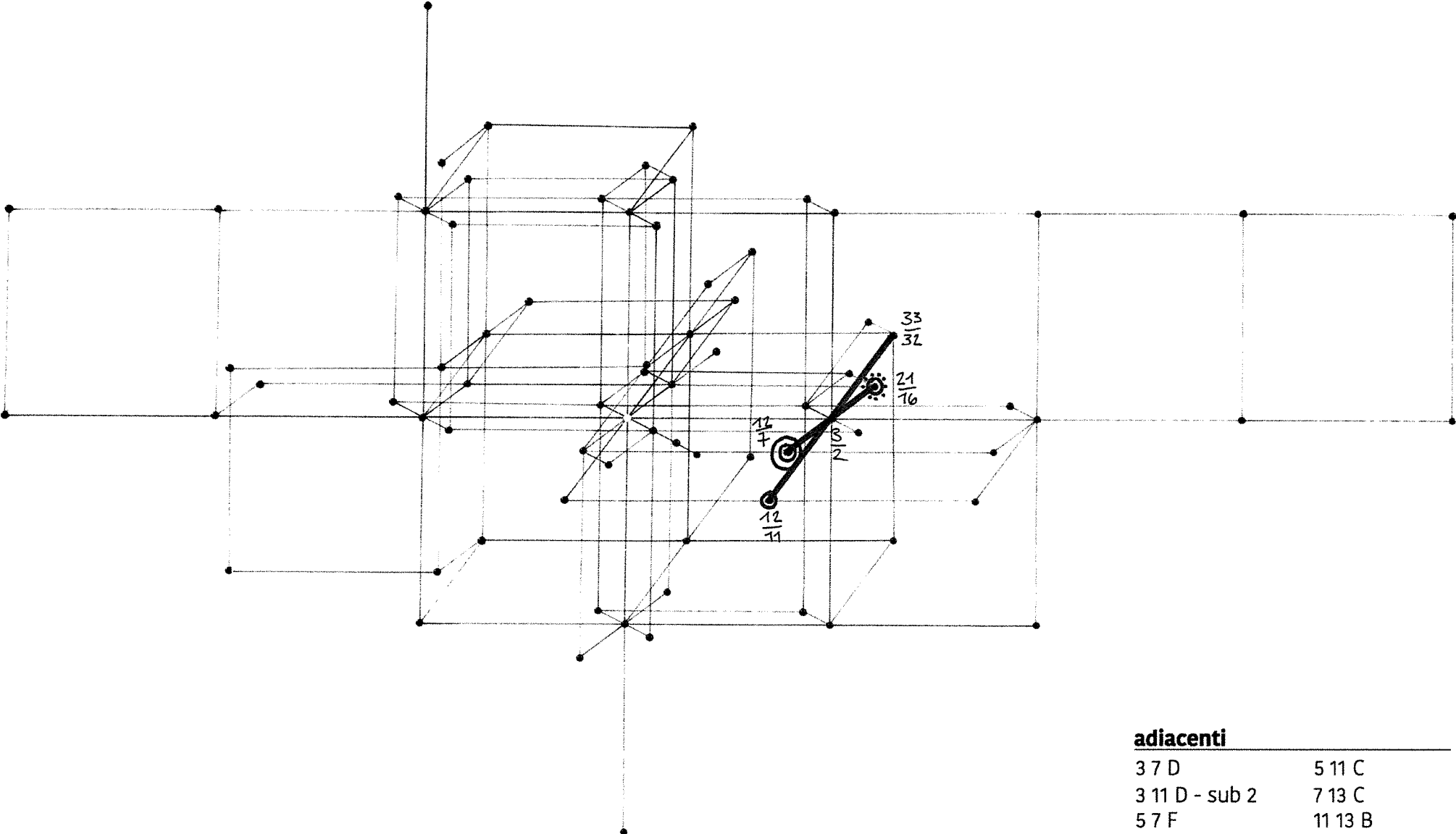


**adiacenti**

---

3 7 F	5 11 B - sub 2
3 11 E	7 13 F
5 7 D	11 13 F

<b>12/7</b>	<b>3/2</b>	<b>21/16</b>	<b>12/11</b>	<b>33/32</b>
370.28	324	567	471.27	445.5
92.57			235.63	

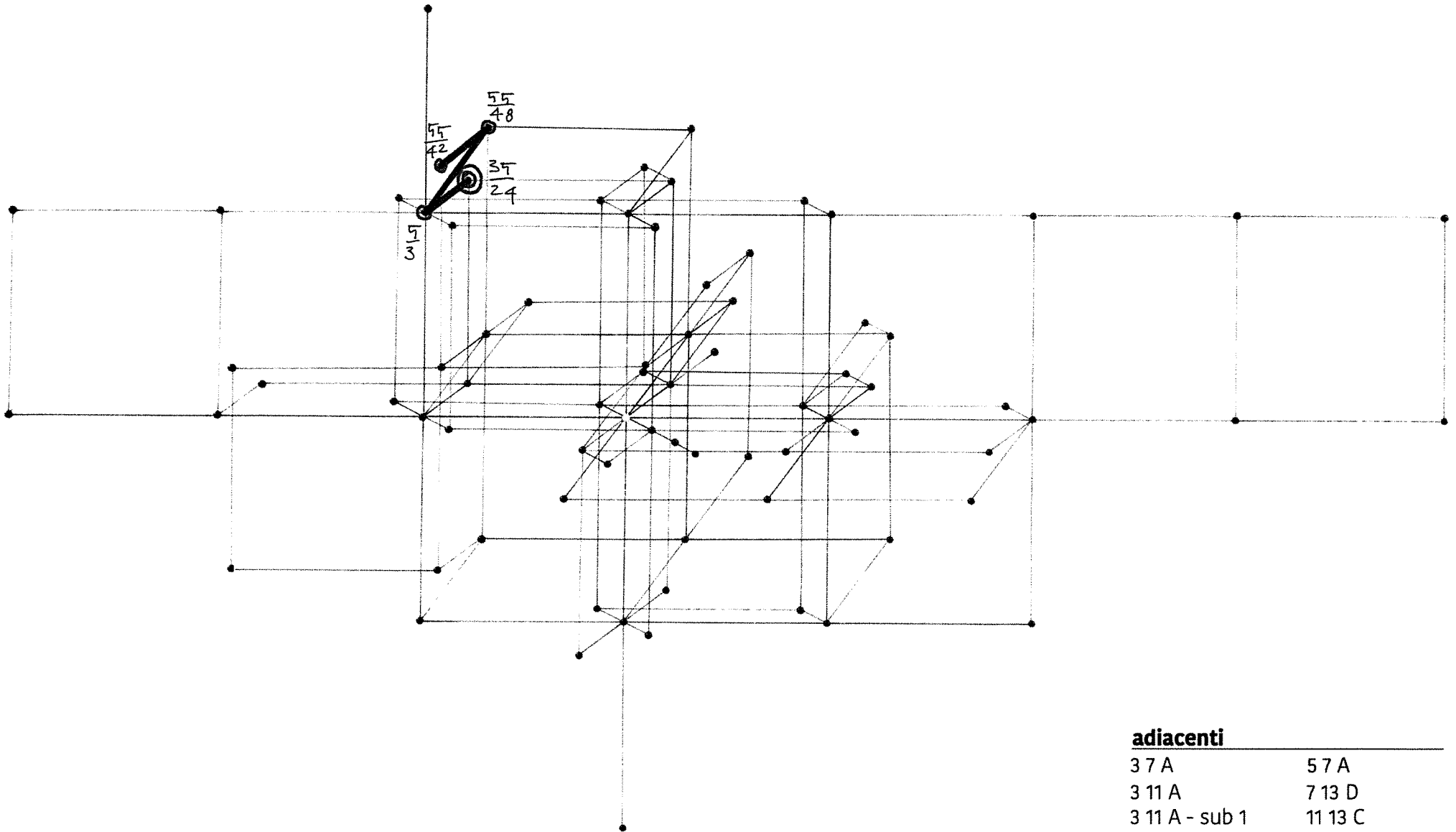


**adiacenti**

---

3 7 D	5 11 C
3 11 D - sub 2	7 13 C
5 7 F	11 13 B

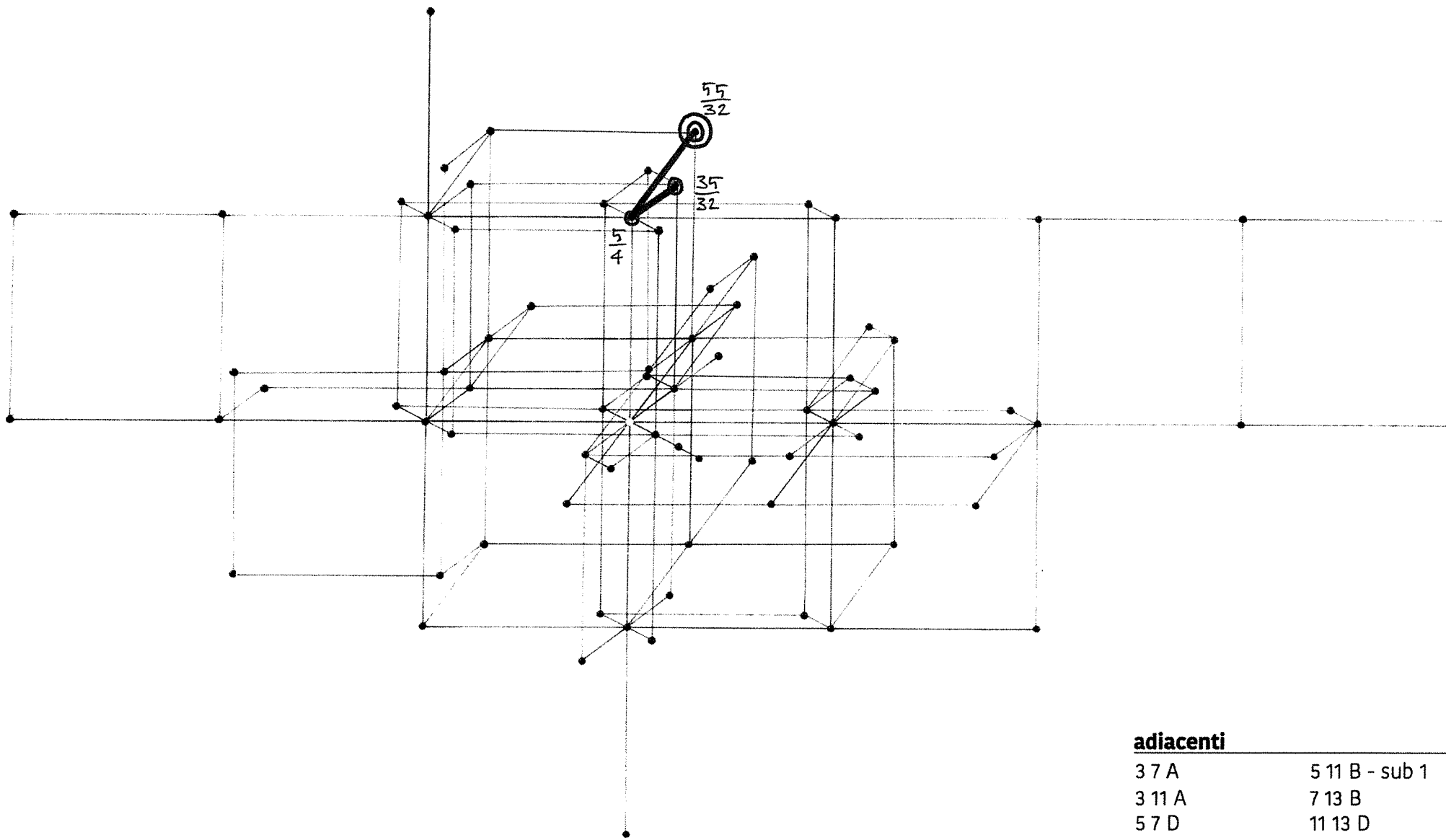
<b>55/42</b>	<b>55/48</b>	<b>5/3</b>	<b>35/24</b>
565.71	495	360	78.75
282.85	247.5		



**adiacenti**

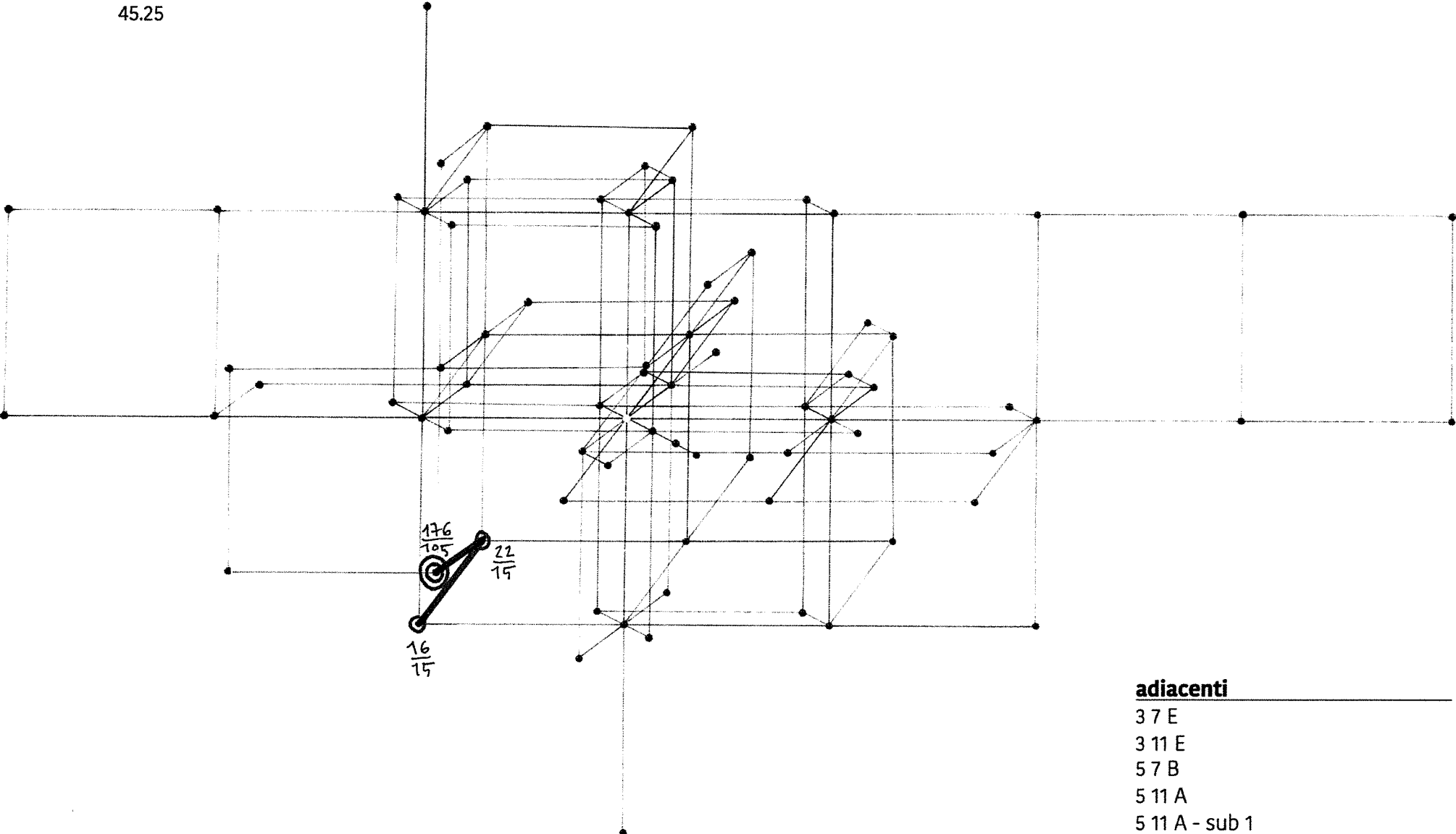
3 7 A	5 7 A
3 11 A	7 13 D
3 11 A - sub 1	11 13 C

<b>5/4</b>	<b>35/32</b>	<b>55/32</b>
270	236.25	185.62
	46.4	



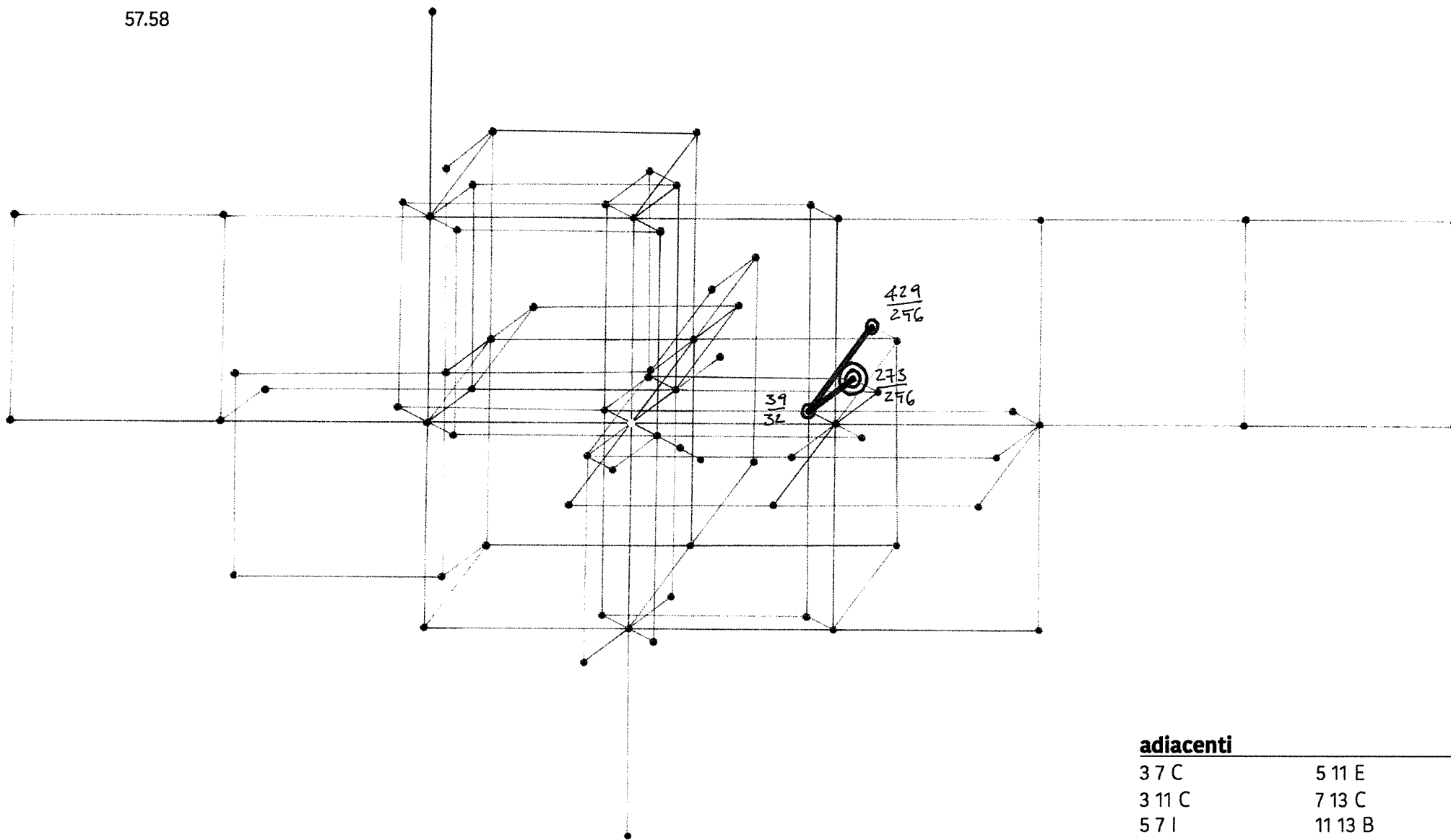
<b>adiacenti</b>	
3 7 A	5 11 B - sub 1
3 11 A	7 13 B
5 7 D	11 13 D

<b>16/15</b>	<b>176/105</b>	<b>22/15</b>
460.8	362.05	316.8
230.4	90.51	
	45.25	



- adiacenti**
- 
- 3 7 E
  - 3 11 E
  - 5 7 B
  - 5 11 A
  - 5 11 A - sub 1

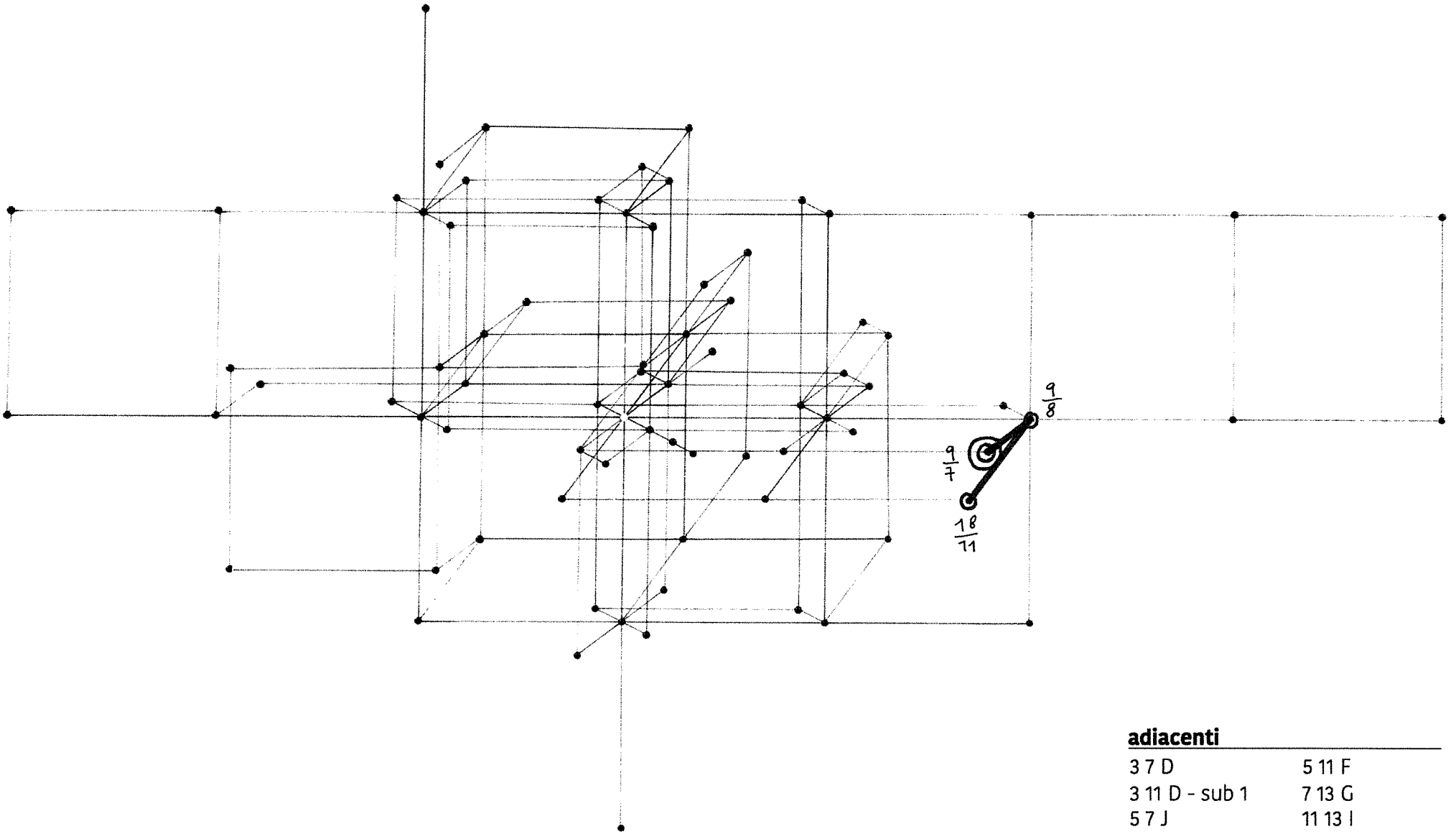
<b>39/32</b>	<b>273/256</b>	<b>429/256</b>
526.5	230.34	361.96
263.25	115.17	
	57.58	



<b>adiacenti</b>	
37 C	5 11 E
3 11 C	7 13 C
5 7 I	11 13 B



<b>9/8</b>	<b>9/7</b>	<b>18/11</b>
243	277.71	176.72
	69.42	

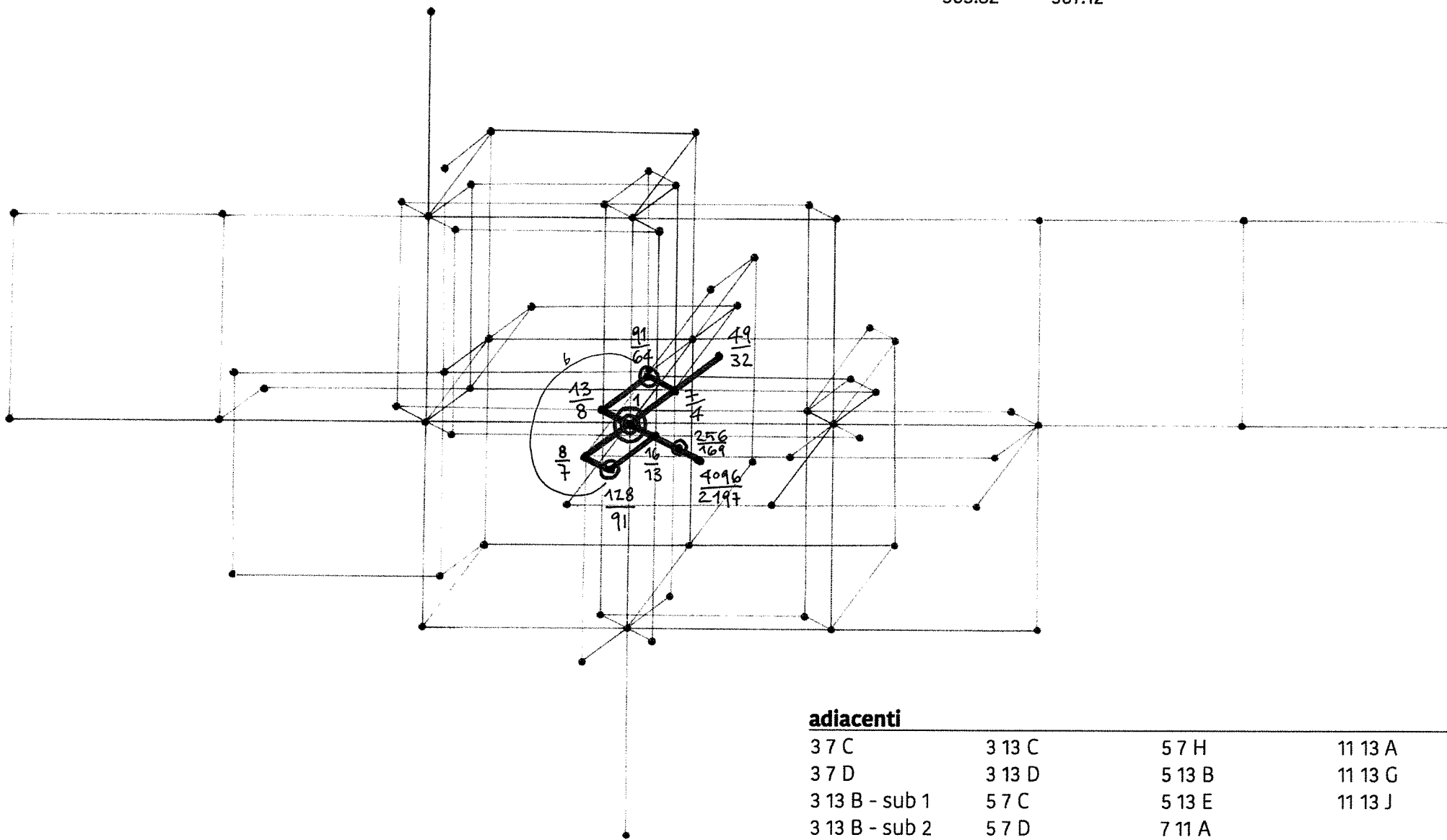


**adiacenti**

3 7 D	5 11 F
3 11 D - sub 1	7 13 G
5 7 J	11 13 I

# 7 13 A

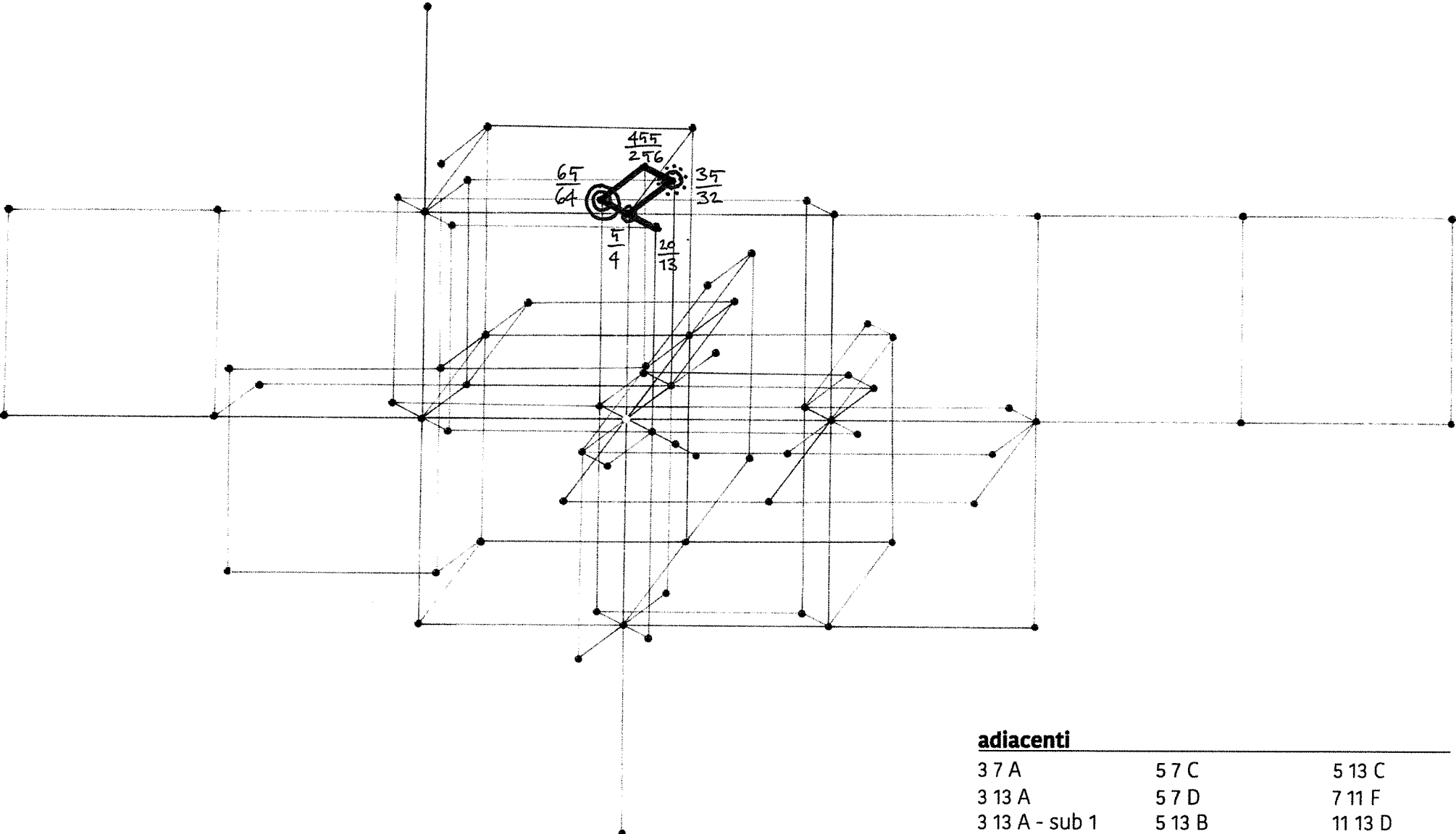
<b>8/7</b>	<b>1/1</b>	<b>7/4</b>	<b>49/32</b>	<b>13/8</b>	<b>16/13</b>	<b>256/169</b>	<b>4096/2197</b>	<b>128/91</b>	<b>91/64</b>
123.42	108 54	189	165.37	351	265.84	327.19	201.35	607.64 303.82	614.25 307.12



## adiacenti

3 7 C	3 13 C	5 7 H	11 13 A
3 7 D	3 13 D	5 13 B	11 13 G
3 13 B - sub 1	5 7 C	5 13 E	11 13 J
3 13 B - sub 2	5 7 D	7 11 A	

<b>5/4</b>	<b>35/32</b>	<b>65/64</b>	<b>455/256</b>	<b>20/13</b>
135	472.5	109.68	191.95	166.15
		54.84		

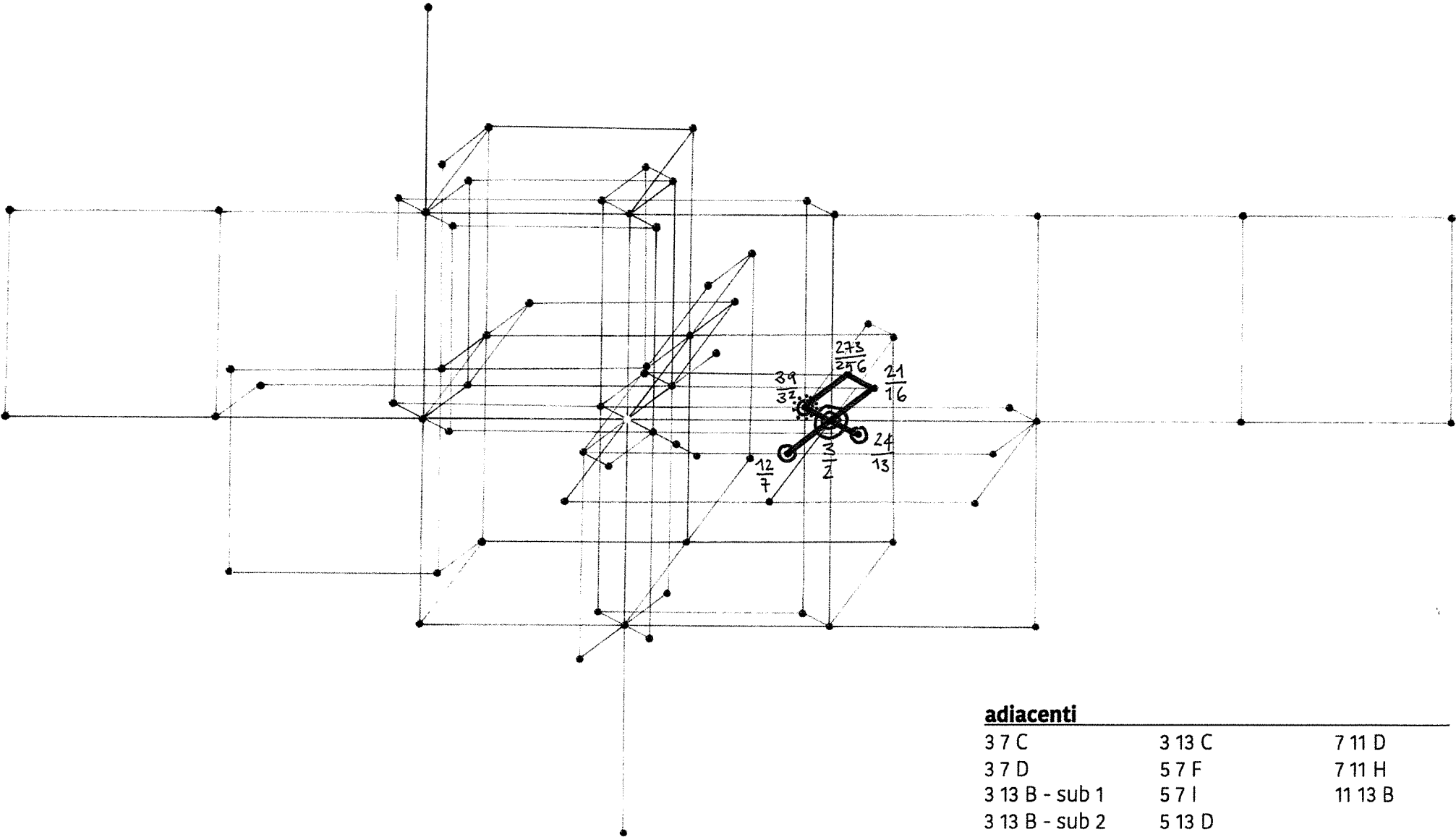


**adiacenti**

---

3 7 A	5 7 C	5 13 C
3 13 A	5 7 D	7 11 F
3 13 A - sub 1	5 13 B	11 13 D

<b>12/7</b>	<b>3/2</b>	<b>21/16</b>	<b>39/32</b>	<b>273/256</b>	<b>24/13</b>
370.28	81	283.5	526.5	115.17	199.38

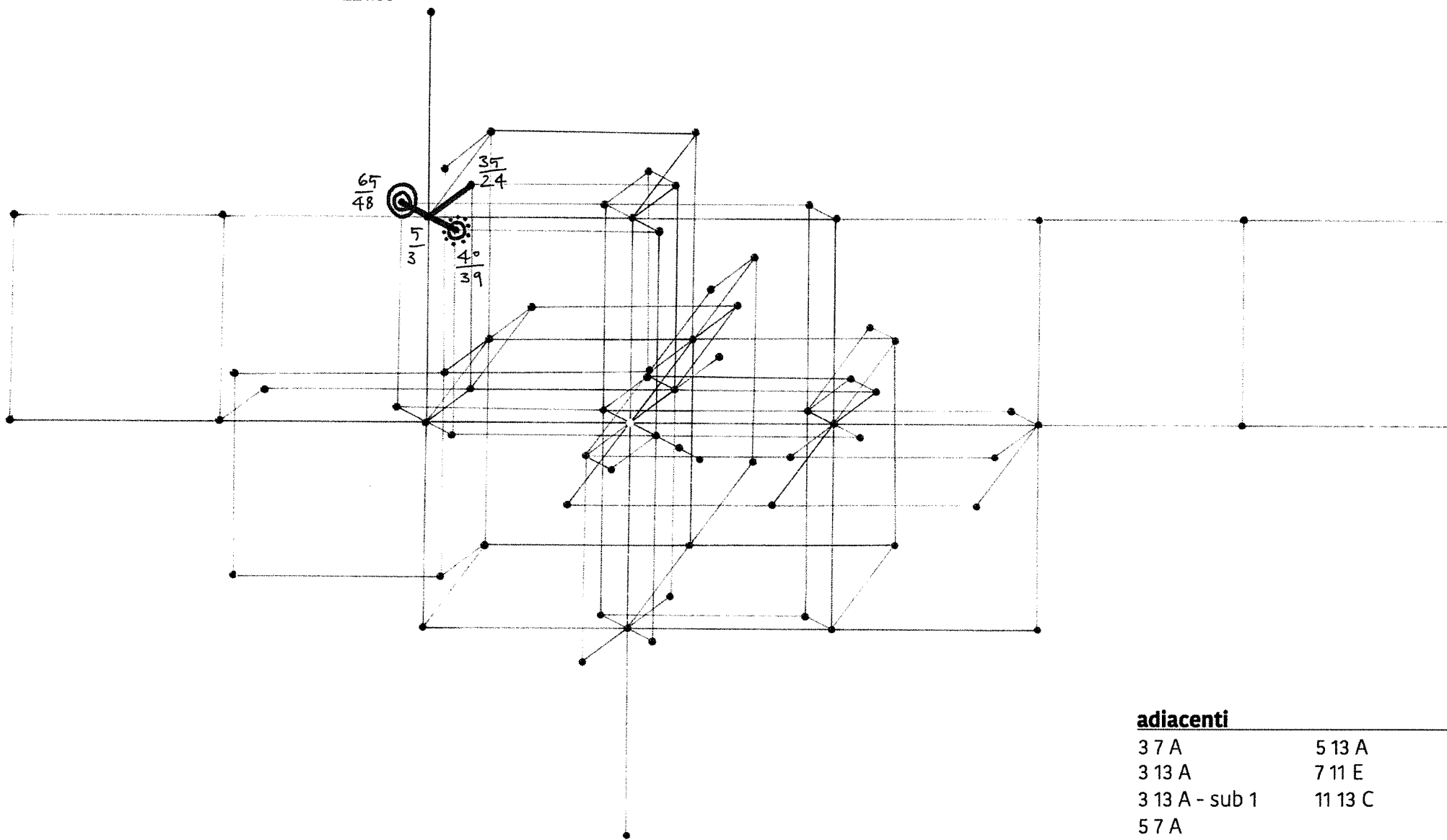


**adiacenti**

---

3 7 C	3 13 C	7 11 D
3 7 D	5 7 F	7 11 H
3 13 B - sub 1	5 7 I	11 13 B
3 13 B - sub 2	5 13 D	

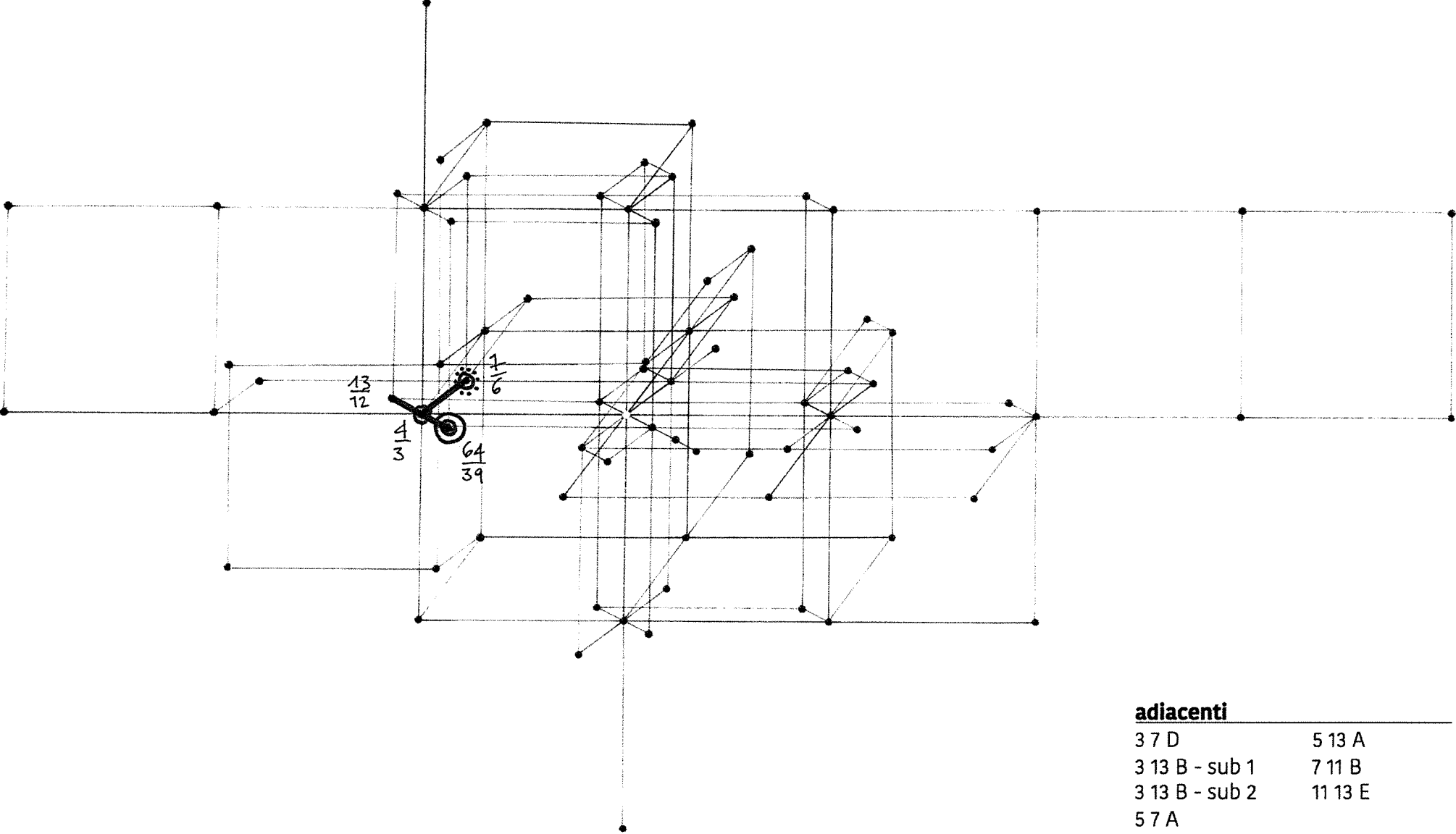
<b>5/3</b>	<b>35/24</b>	<b>65/48</b>	<b>40/39</b>
180	315	146.25	443.07
		73.12	221.53



**adiacenti**

3 7 A	5 13 A
3 13 A	7 11 E
3 13 A - sub 1	11 13 C
5 7 A	

<b>4/3</b>	<b>7/6</b>	<b>13/12</b>	<b>64/39</b>
144	504	58.50	354.46
72			177.23

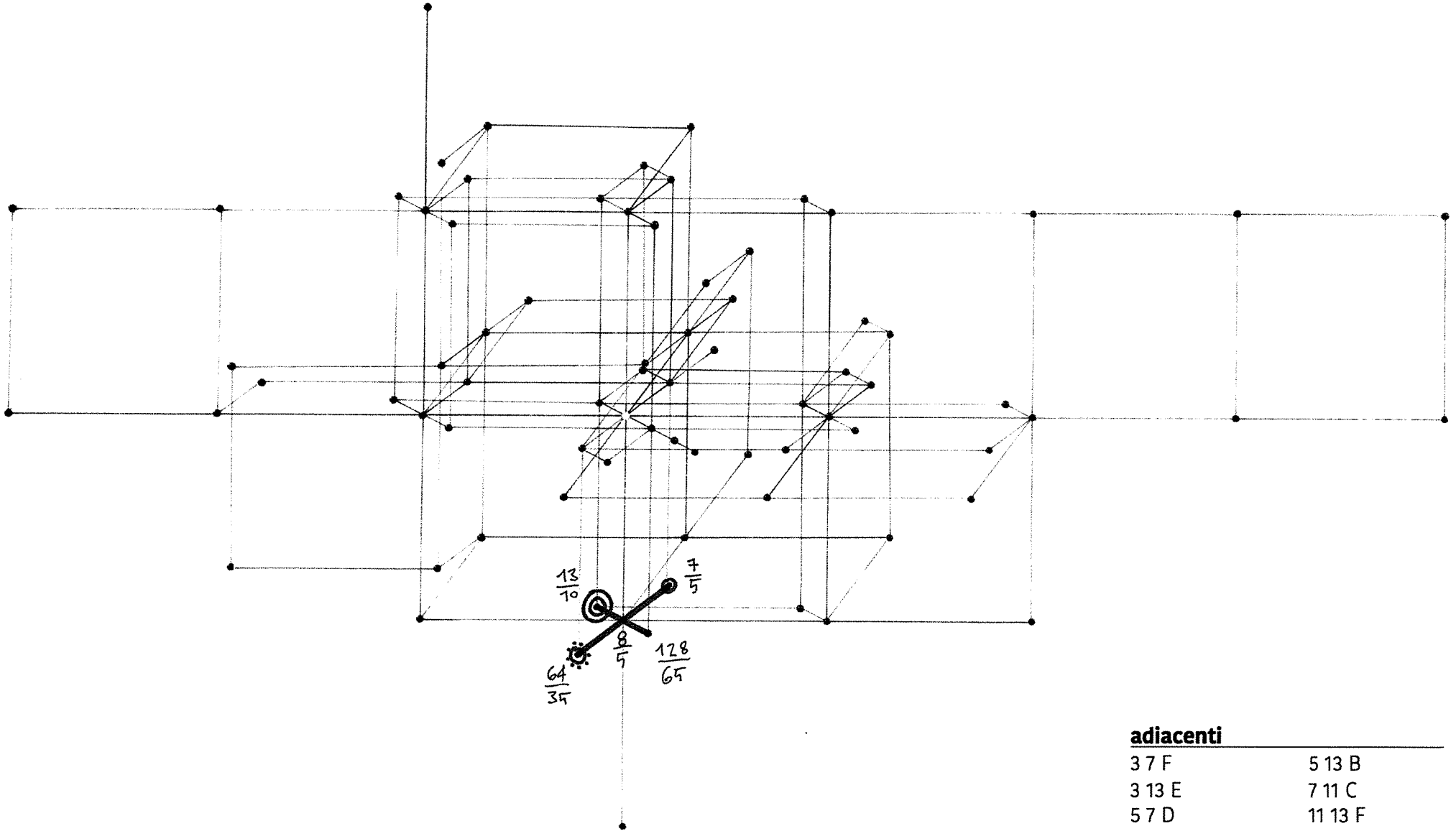


**adiacenti**

---

3 7 D	5 13 A
3 13 B - sub 1	7 11 B
3 13 B - sub 2	11 13 E
5 7 A	

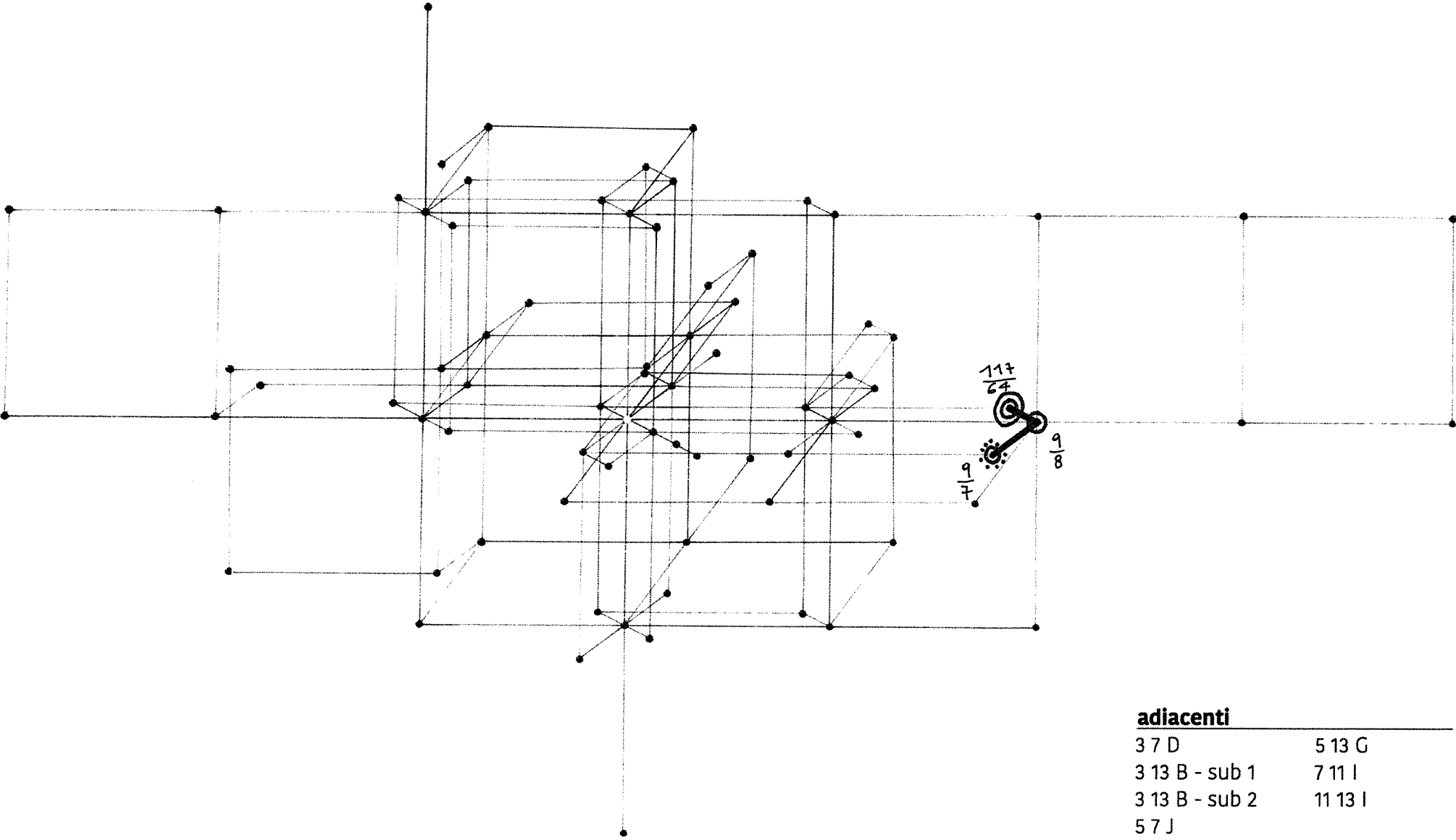
<b>64/35</b>	<b>8/5</b>	<b>7/5</b>	<b>13/10</b>	<b>128/65</b>
394.97	172.8	302.4	280.8	212.67
			70.2	



**adiacenti**

3 7 F	5 13 B
3 13 E	7 11 C
5 7 D	11 13 F

<b>9/7</b>	<b>9/8</b>	<b>117/64</b>
555.42	486	98.71
277.71	243	49.35



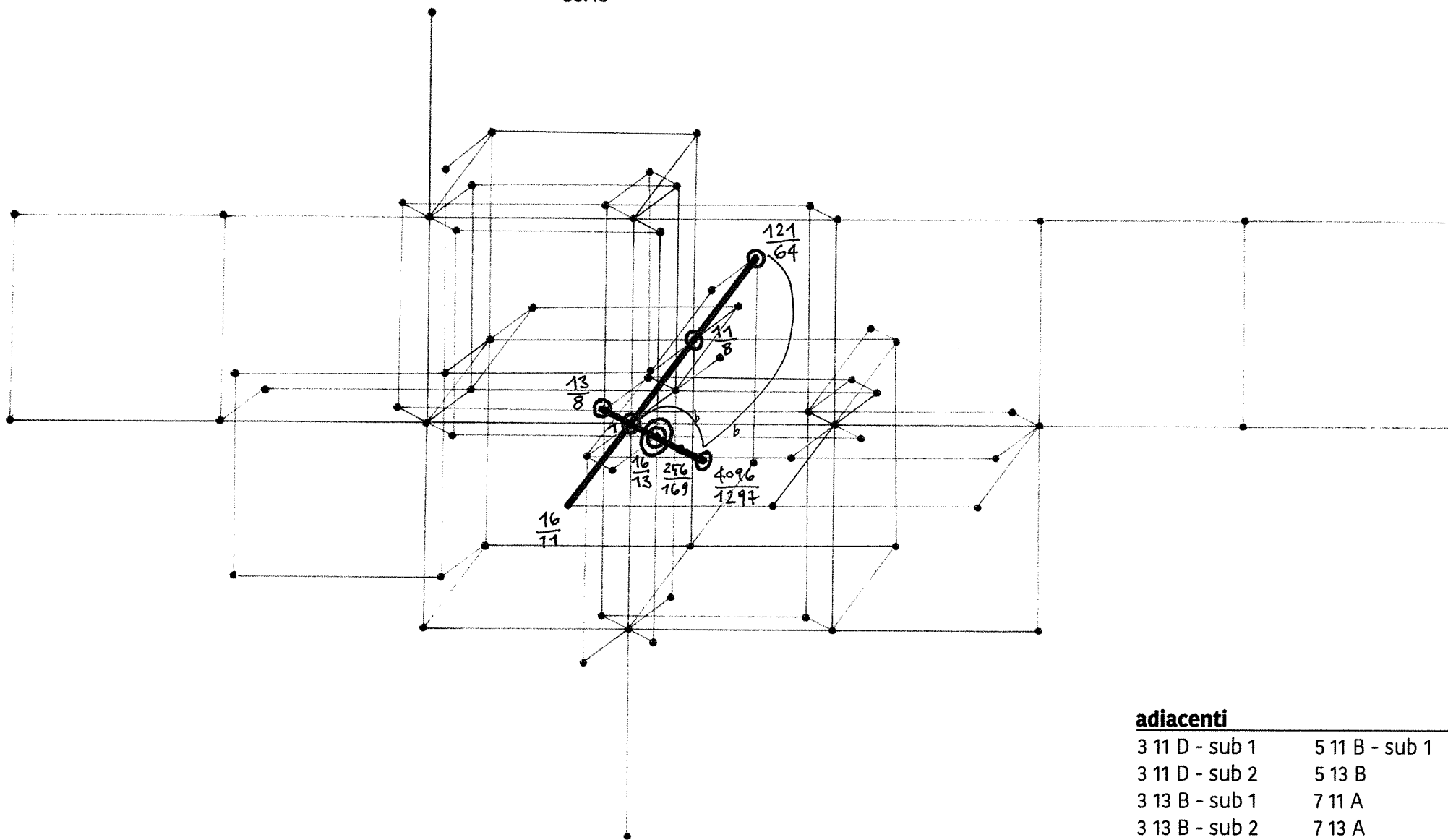
**adiacenti**

---

3 7 D	5 13 G
3 13 B - sub 1	7 11 I
3 13 B - sub 2	11 13 I
5 7 J	



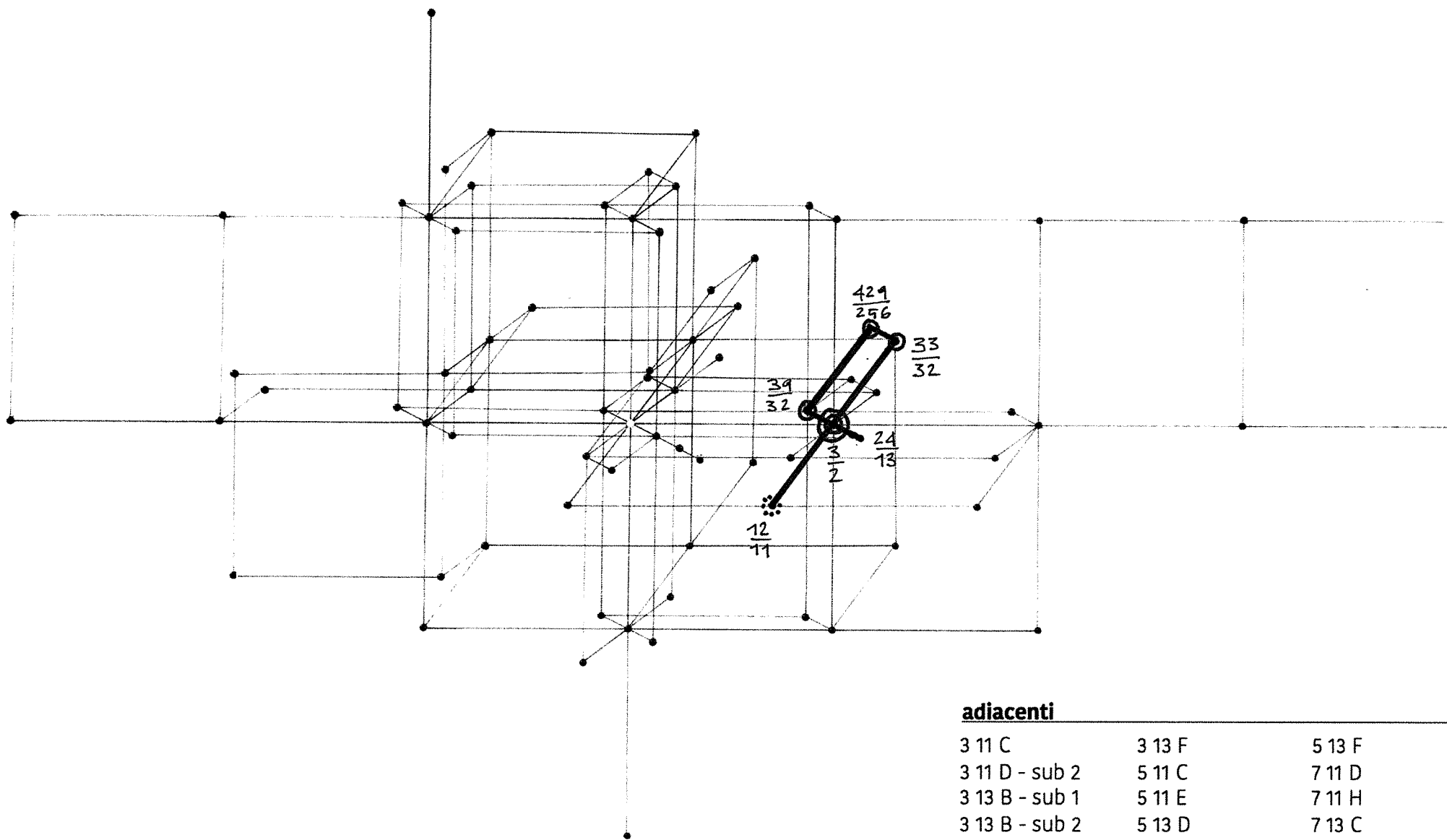
<b>16/11</b>	<b>1/1</b>	<b>11/8</b>	<b>121/64</b>	<b>13/8</b>	<b>16/13</b>	<b>256/169</b>	<b>4096/2197</b>
314.18	216	297	204.18	351	132.92	163.59	201.35
					66.46		



### adiacenti

3 11 D - sub 1	5 11 B - sub 1
3 11 D - sub 2	5 13 B
3 13 B - sub 1	7 11 A
3 13 B - sub 2	7 13 A

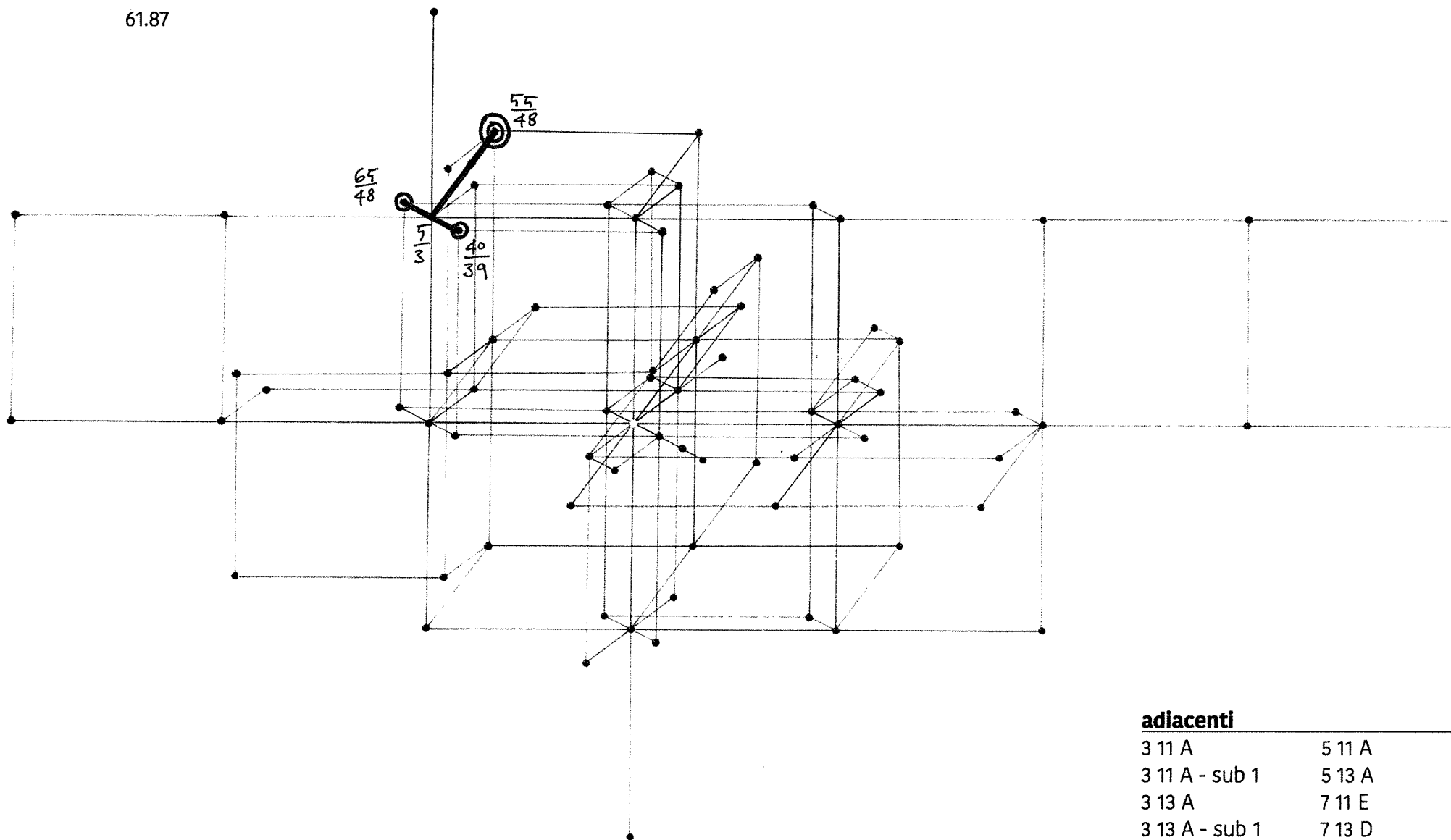
<b>12/11</b>	<b>3/2</b>	<b>33/32</b>	<b>39/32</b>	<b>429/256</b>	<b>24/13</b>
471.27	81	222.75	263.25	180.98	398.76



**adiacenti**

3 11 C	3 13 F	5 13 F
3 11 D - sub 2	5 11 C	7 11 D
3 13 B - sub 1	5 11 E	7 11 H
3 13 B - sub 2	5 13 D	7 13 C

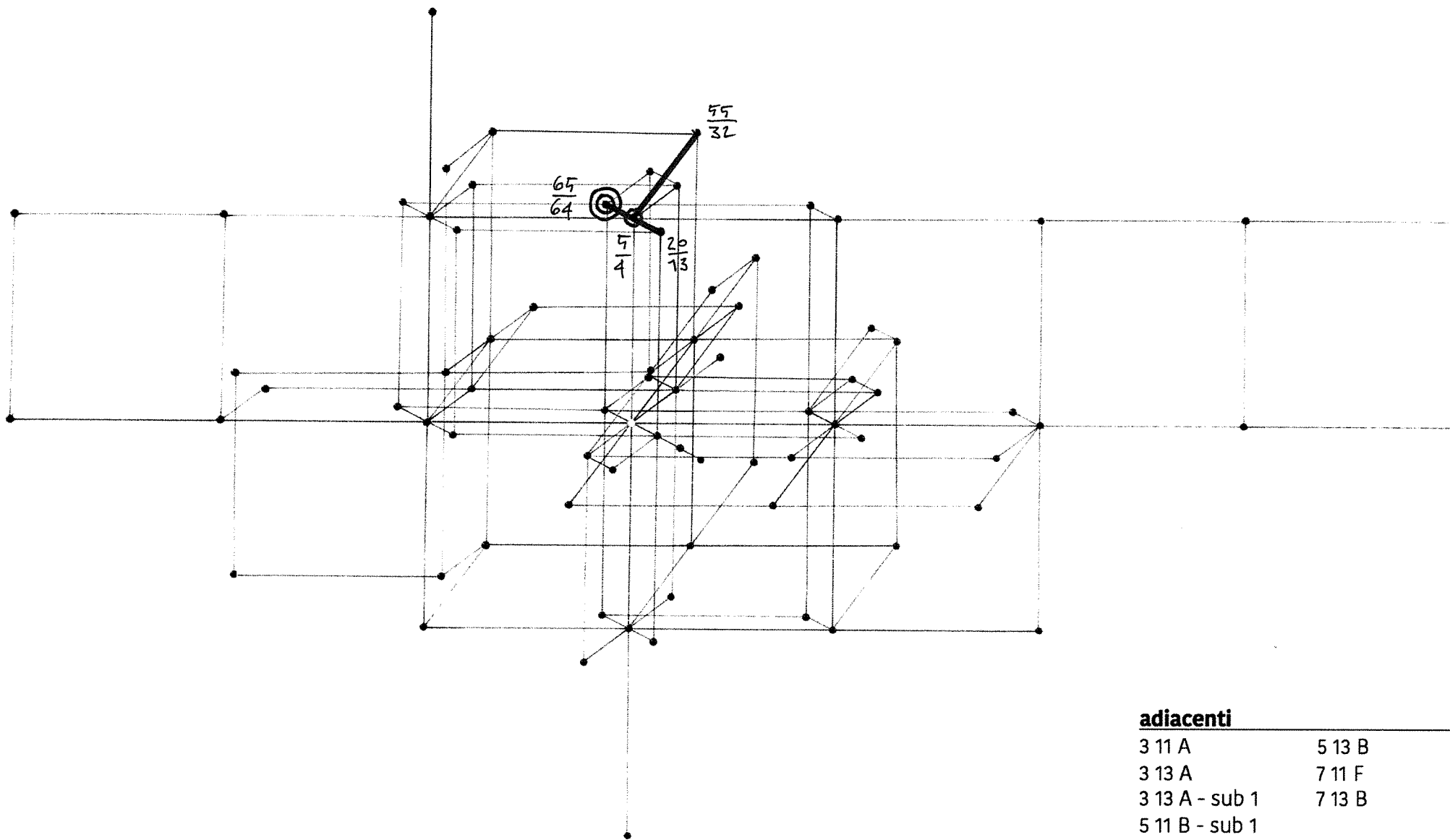
<b>5/3</b>	<b>55/48</b>	<b>65/48</b>	<b>40/39</b>
180	247.5	292.5	221.53
	123.75		
	61.87		



### adiacenti

3 11 A	5 11 A
3 11 A - sub 1	5 13 A
3 13 A	7 11 E
3 13 A - sub 1	7 13 D

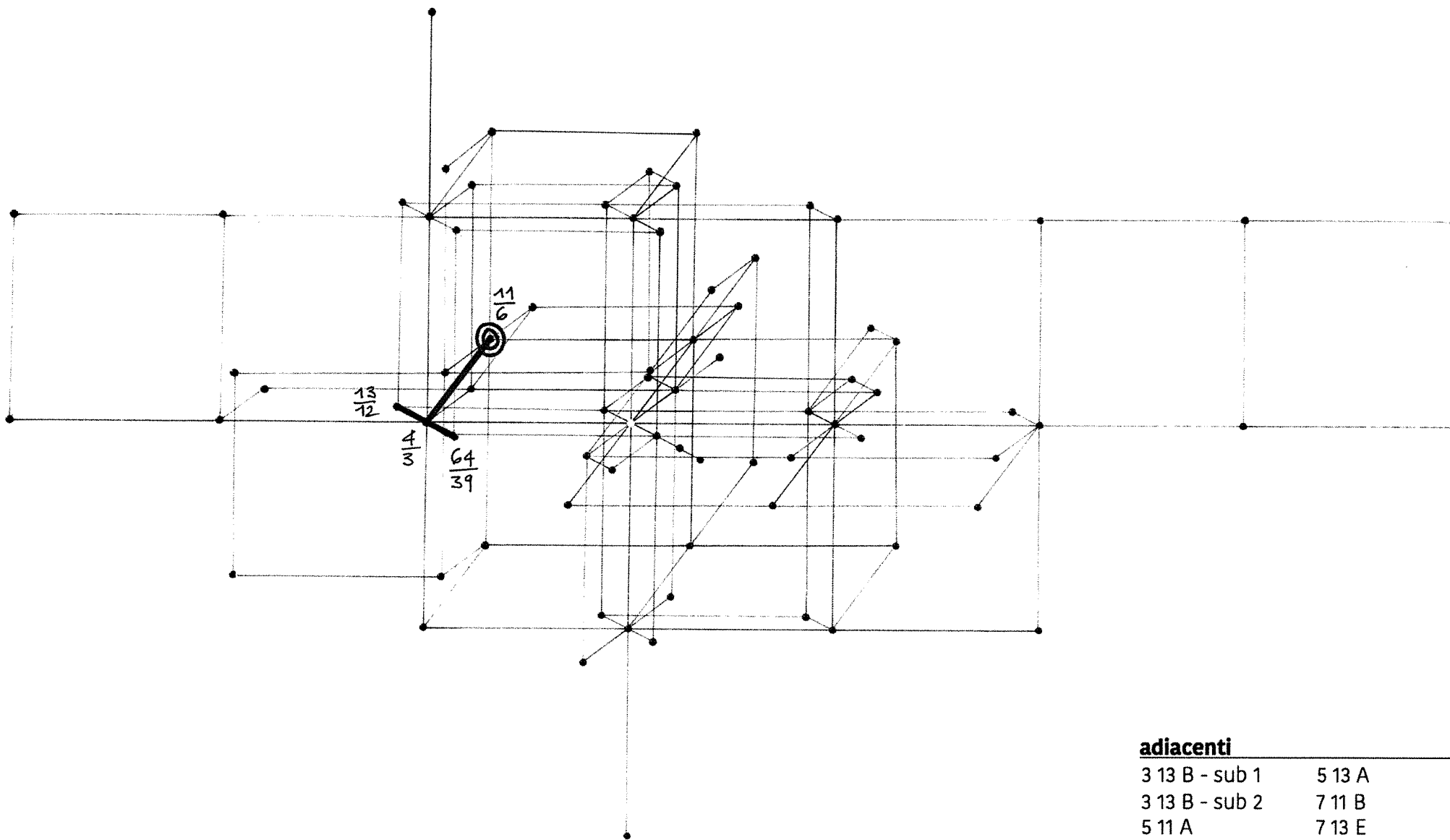
<b>5/4</b>	<b>55/32</b>	<b>65/64</b>	<b>20/13</b>
270	185.62	219.37	166.15
		109.68	



**adiacenti**

3 11 A	5 13 B
3 13 A	7 11 F
3 13 A - sub 1	7 13 B
5 11 B - sub 1	

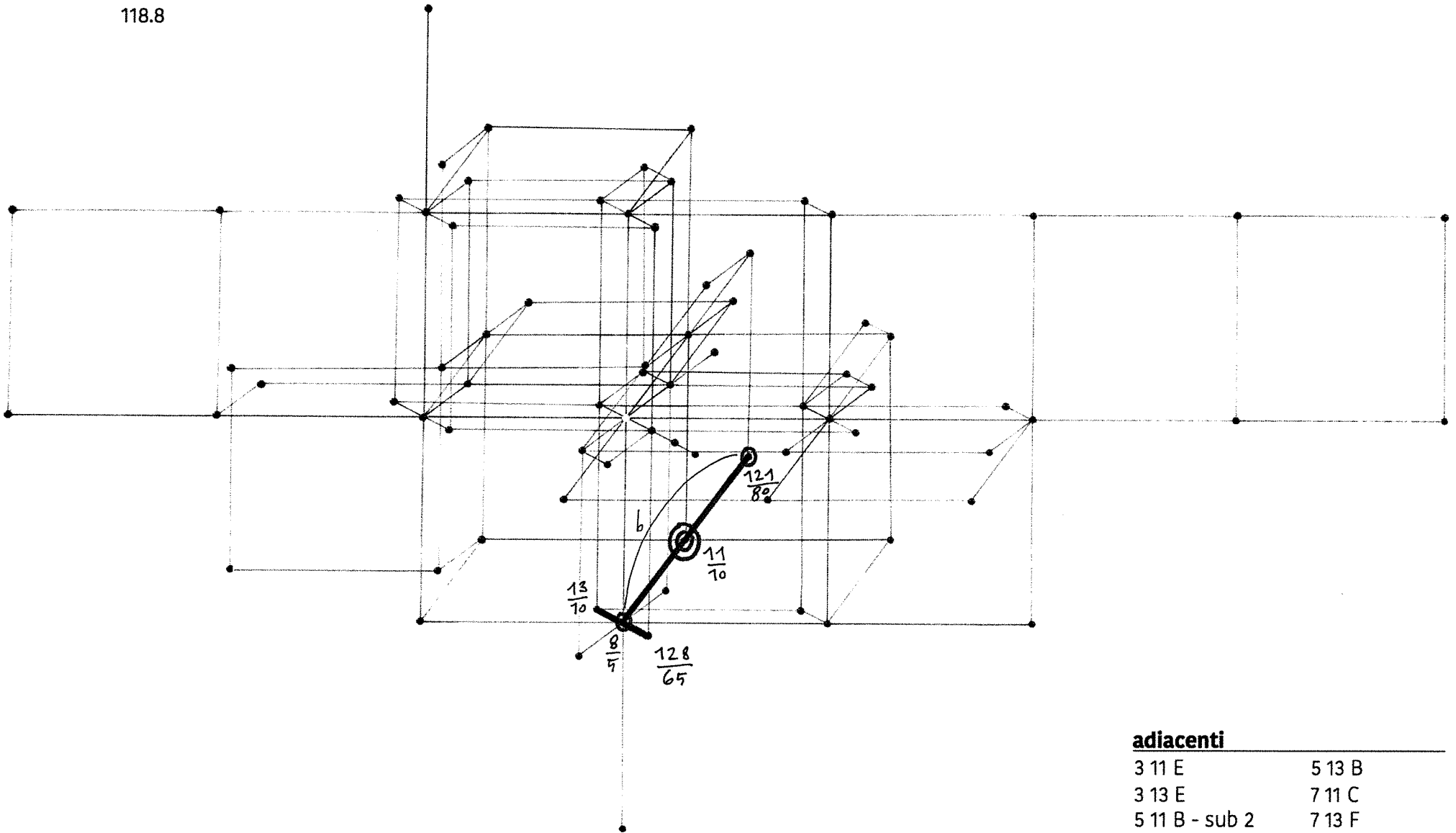
<b>4/3</b>	<b>11/6</b>	<b>13/12</b>	<b>64/39</b>
288	396	234	354.46
	99		



**adiacenti**

3 13 B - sub 1	5 13 A
3 13 B - sub 2	7 11 B
5 11 A	7 13 E

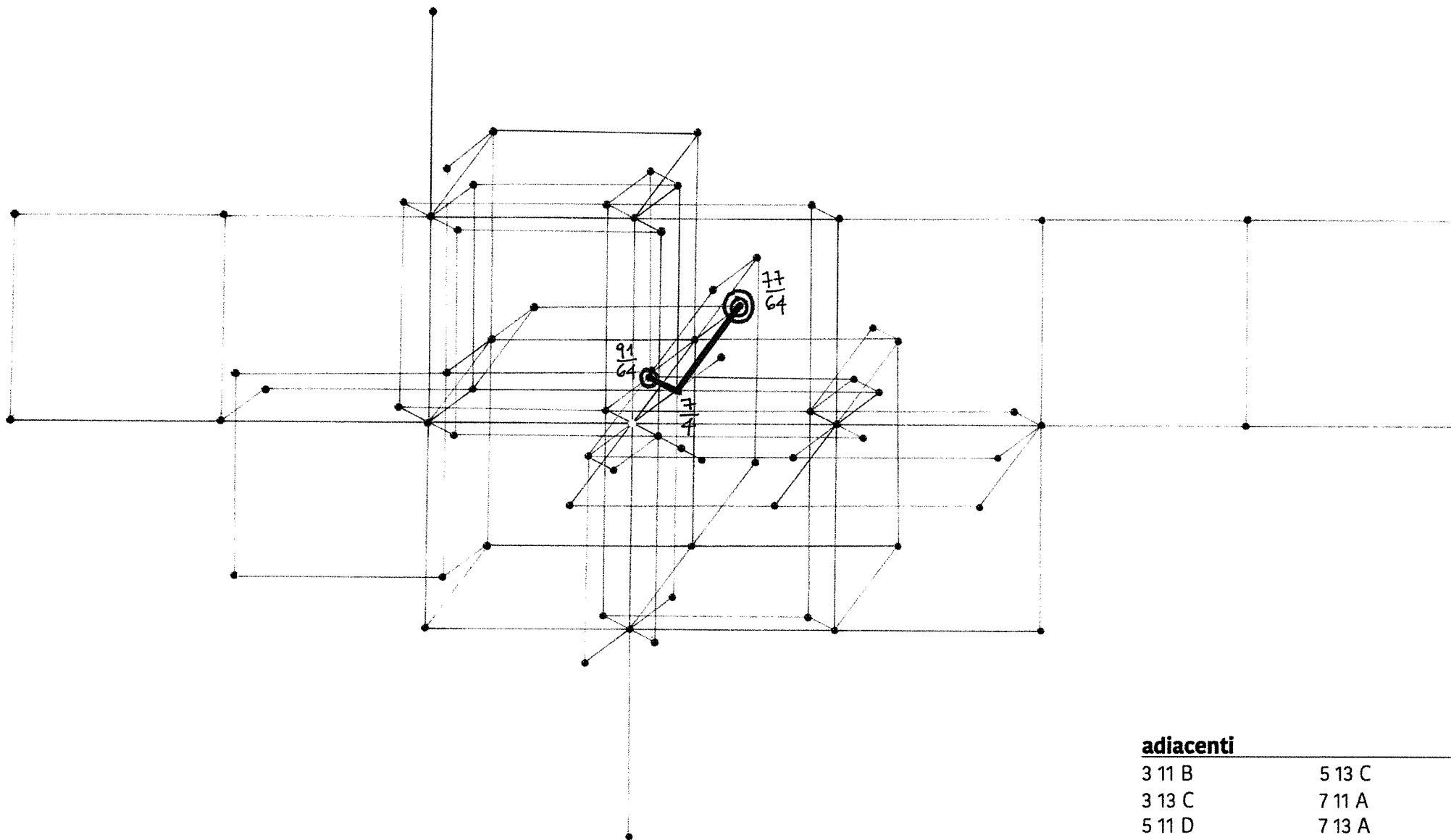
<b>8/5</b>	<b>11/10</b>	<b>121/80</b>	<b>13/10</b>	<b>128/65</b>
345.6	475.2	326.7	280.8	212.67
	237.6			
	118.8			



**adiacenti**

3 11 E	5 13 B
3 13 E	7 11 C
5 11 B - sub 2	7 13 F

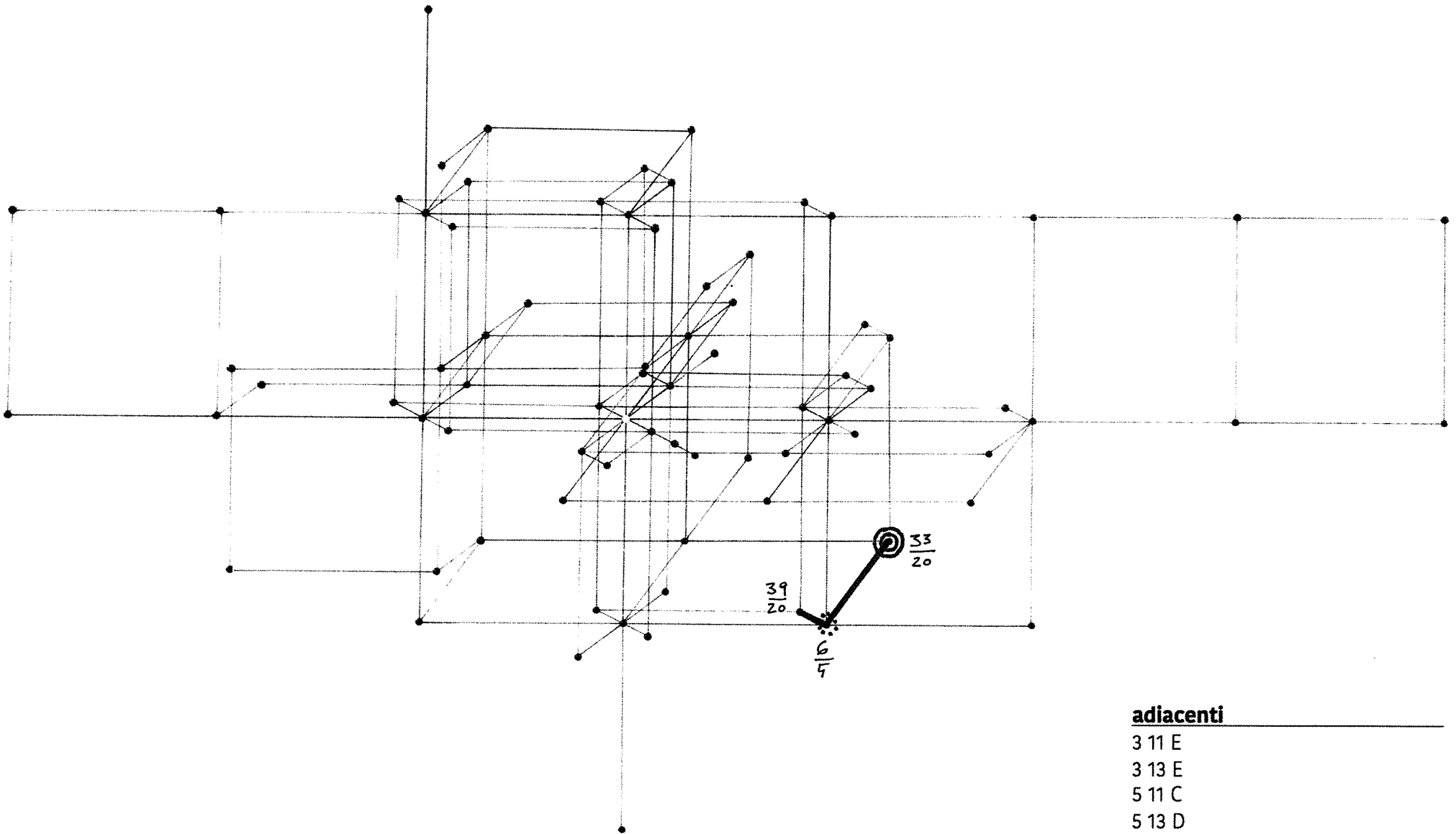
<b>7/4</b>	<b>77/64</b>	<b>91/64</b>
189	259.87	307.12
	64.96	



**adiacenti**

3 11 B	5 13 C
3 13 C	7 11 A
5 11 D	7 13 A

<b>6/5</b>	<b>33/20</b>	<b>39/20</b>
129.6	178.2	210.6
518.4	89.1	



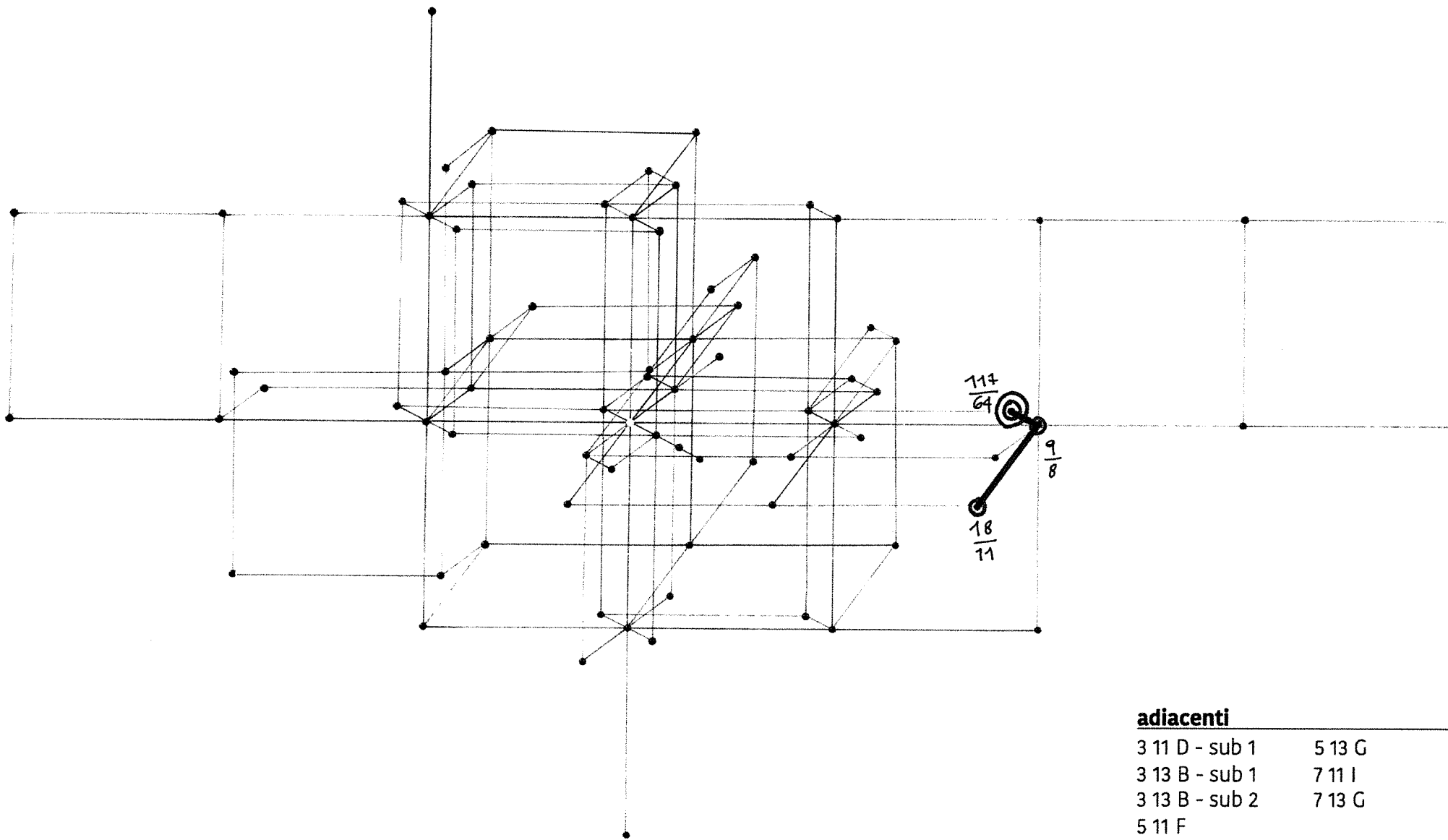
**adiacenti**

---

- 3 11 E
- 3 13 E
- 5 11 C
- 5 13 D



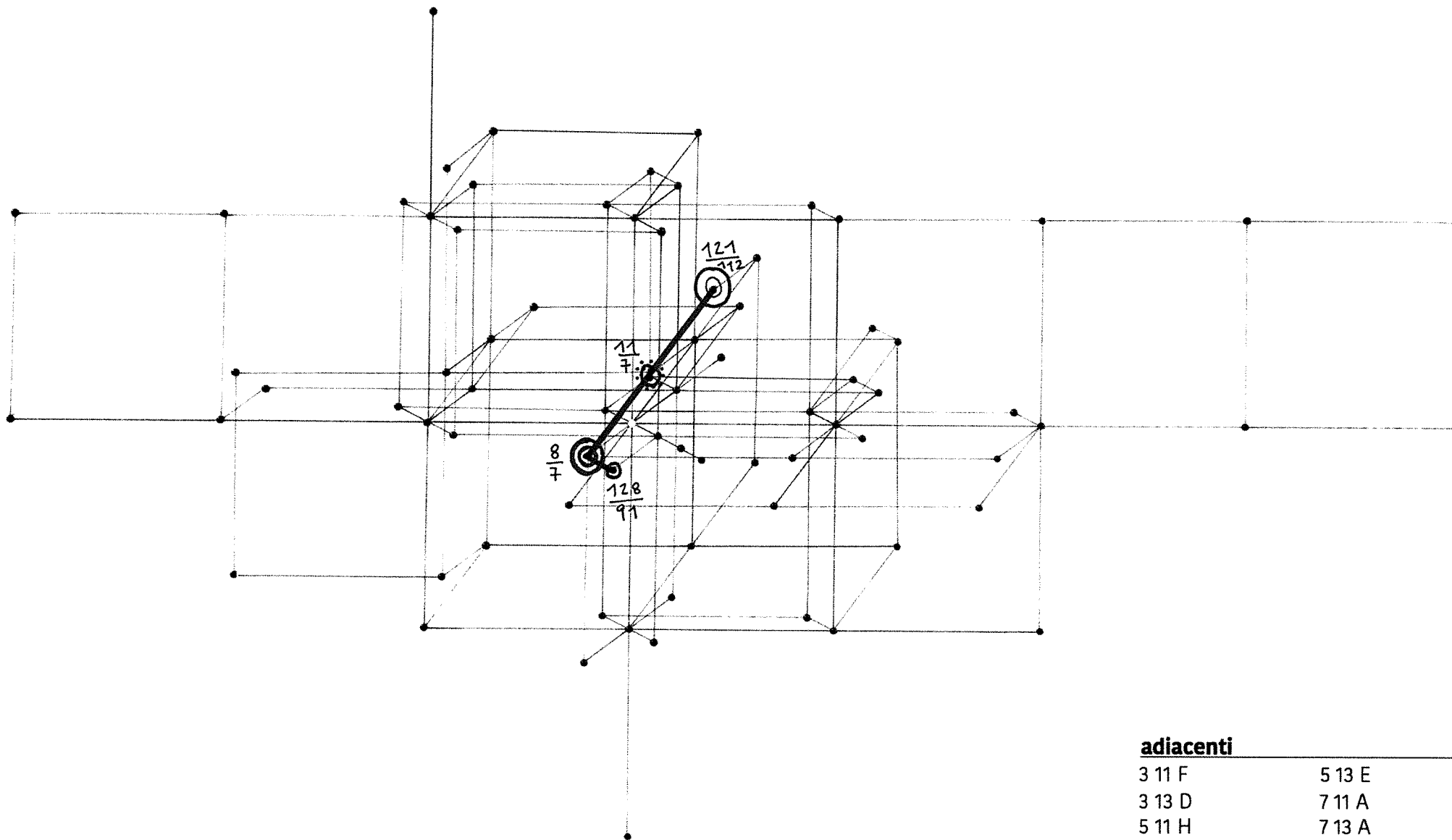
<b>18/11</b>	<b>9/8</b>	<b>117/64</b>
353.45	243	394.87
		98.71



### adiacenti

3 11 D - sub 1	5 13 G
3 13 B - sub 1	7 11 I
3 13 B - sub 2	7 13 G
5 11 F	

<b>8/7</b>	<b>11/7</b>	<b>121/112</b>	<b>128/91</b>
61.71	339.42	233.35	303.82
		116.67	



**adiacenti**

3 11 F	5 13 E
3 13 D	7 11 A
5 11 H	7 13 A